

201-2542Y2

Wire Size: 18 AWG unless otherwise specified

GS2 Adapter Cable – 37 pin to twin 16 pins with MultiTube Control Adapter

Length: 2ft

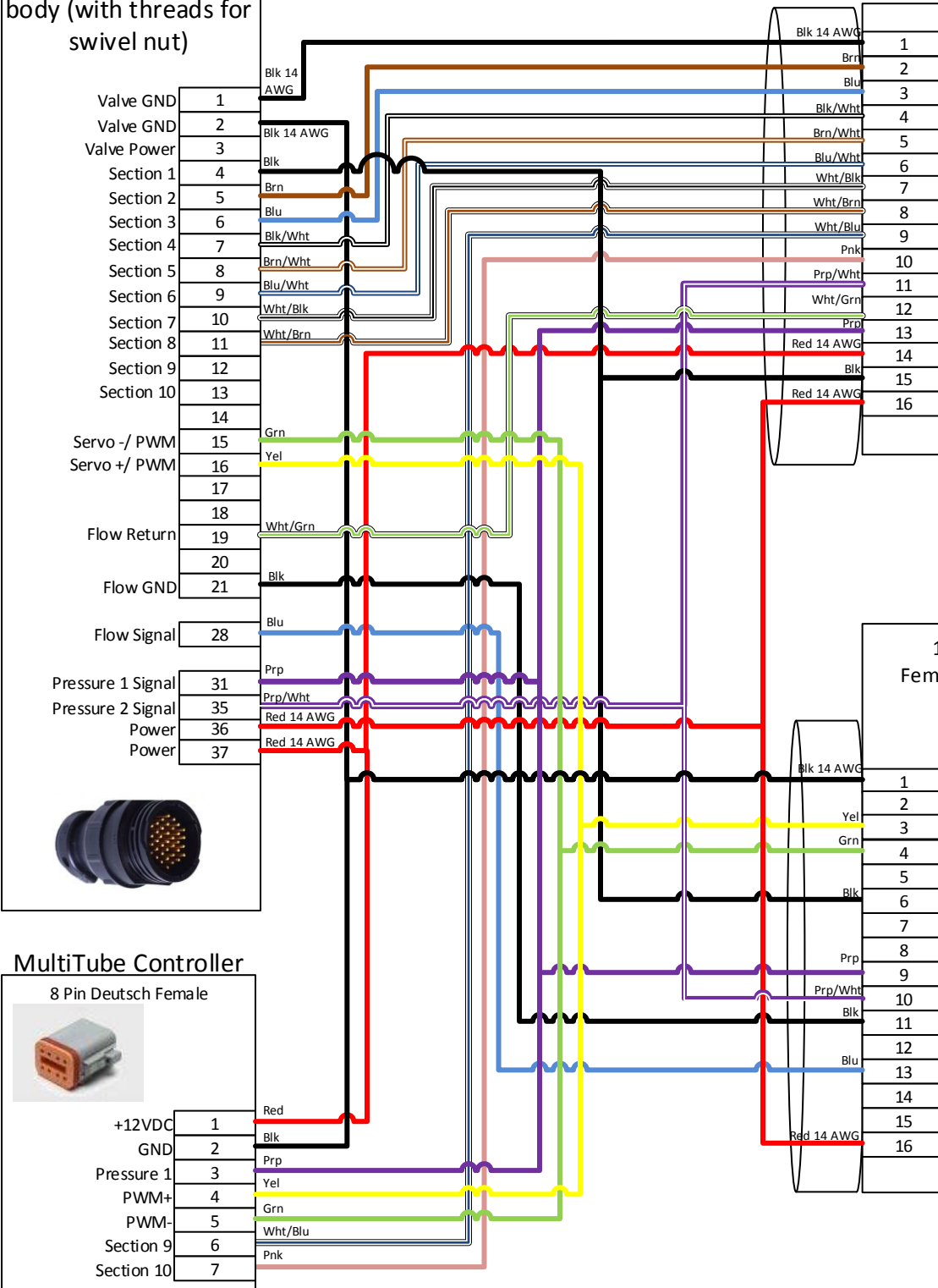
37 Pin Round – AMP
Male pins in male body (with threads for swivel nut)

Sections

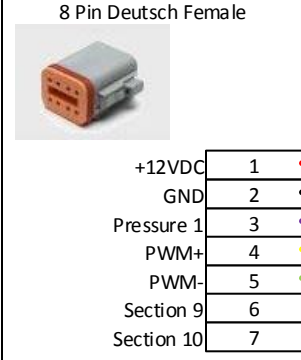
16 Pin Round – AMP
Male pins in male body (with threads for swivel nut)
Attach Dust cover to Connector



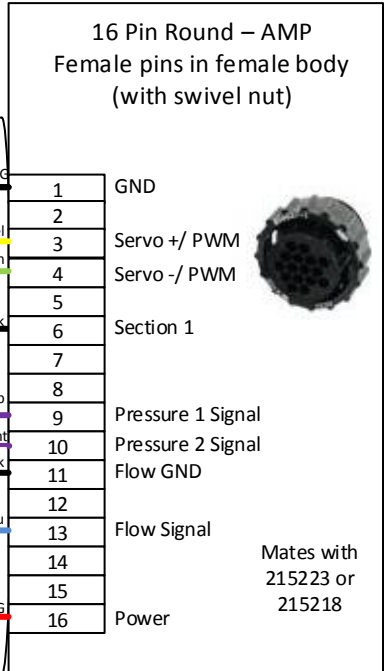
Mates with 16 Pin extension or 201-2547Y1



MultiTube Controller



Pump

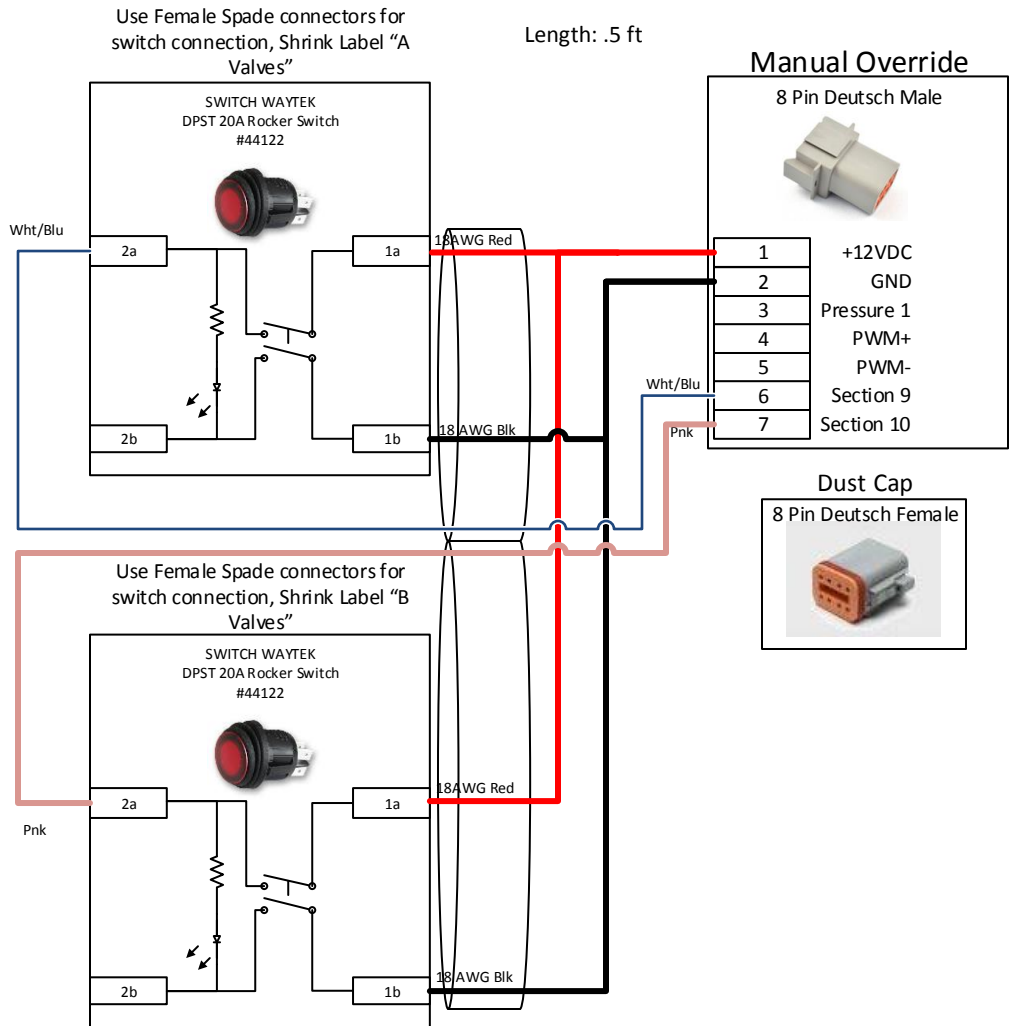


Project:	201-2542Y2 GS2 Adapter Cable	Drawn By:	Albert Popp/Dirk Ricker
Filename:	37 pin to twin 16 pins with MultiTube Control Adapter	Date:	6/9/2014
Copyright 2012-2013 SureFire Ag Systems		Page of Pages	1 of 2

201-2542Y2

Wire Size: 18 AWG unless otherwise specified

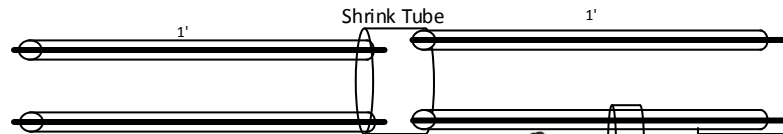
GS2 Adapter Cable – 37 pin to twin 16 pins with MultiTube Control Adapter



Sections



Pump



37 Pin



MultiTube Controller

Shrink Tube to MultiTube Cont lead (offset so the ends can connect with each other)



Project:

201-2542Y2 GS2 Adapter Cable

Drawn By:

Albert Popp/Dirk Ricker

Filename:

37 pin to twin 16 pins with MultiTube Control Adapter

Date:

6/9/2014

Copyright 2012-2013 SureFire Ag Systems

Page of Pages

2 of 2