



396-4315Y1

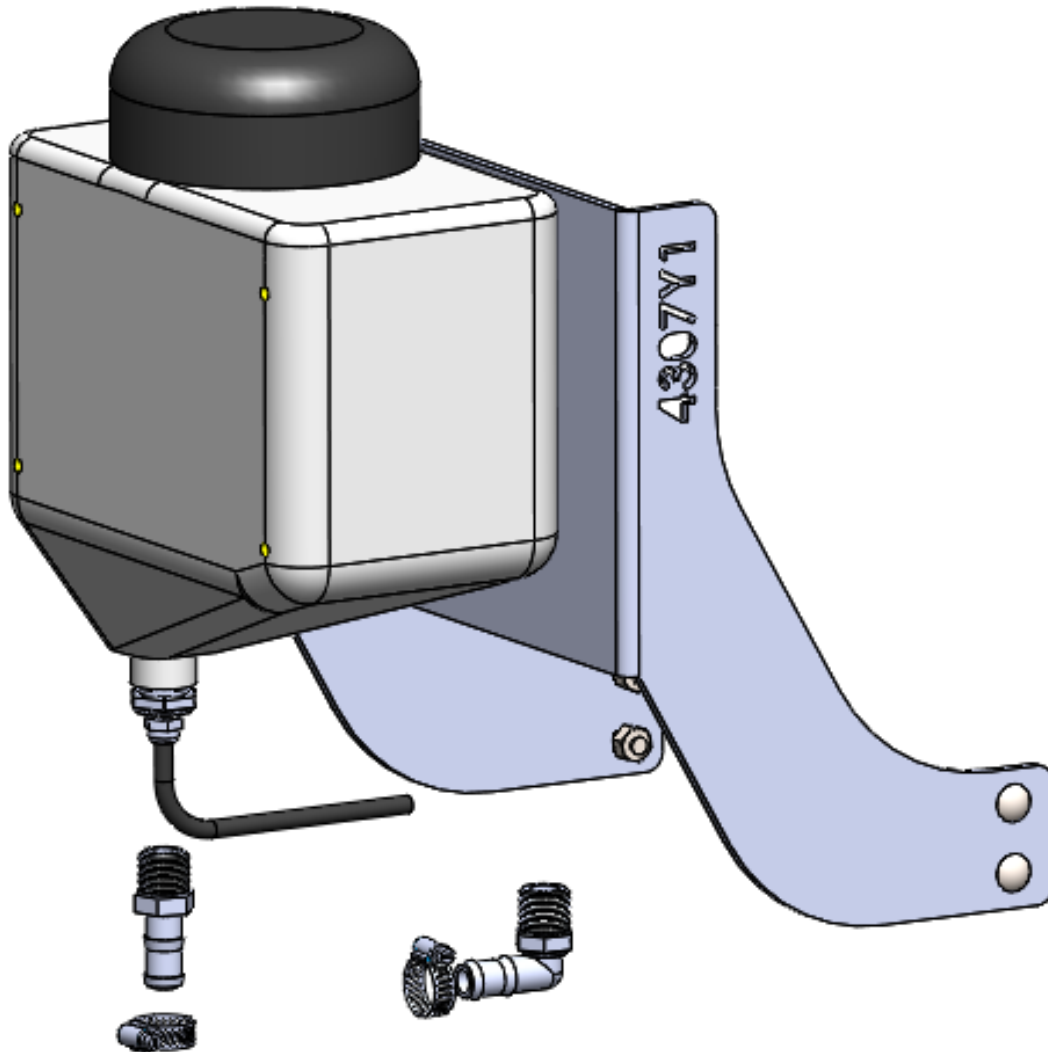
3 Gal Rinse Tank Kits for Horizontal Cradle Tank Kits



Kit Numbers

508-03-100200 : 3 Gallon Rinse Tank Kit—55 and 110 Gallon Horizontal Tank Cradles

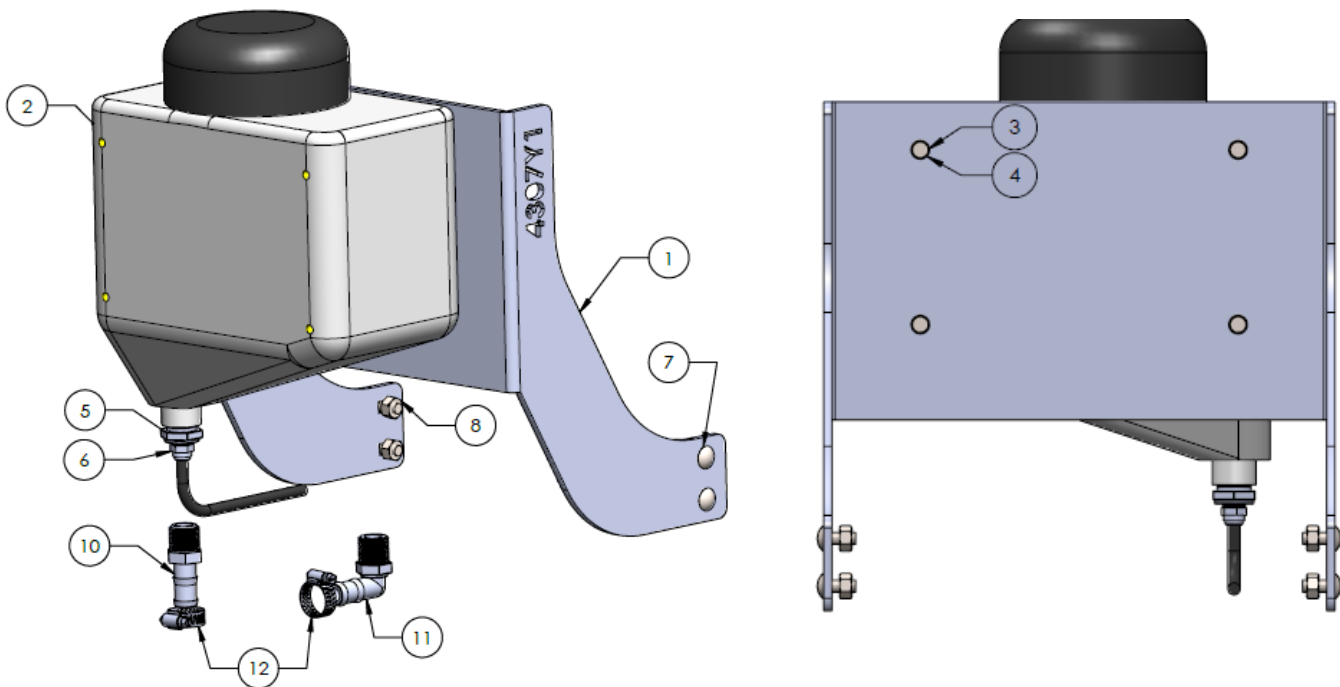
508-03-100250 : 3 Gallon Rinse Tank Kit—200 Gallon Horizontal Tank Cradle



Exploded View and Parts List

Kit Number: 508-03-100200

Description: 3 Gallon Rinse Tank Kit—55 and 110 Gallon Horizontal Tank Cradles

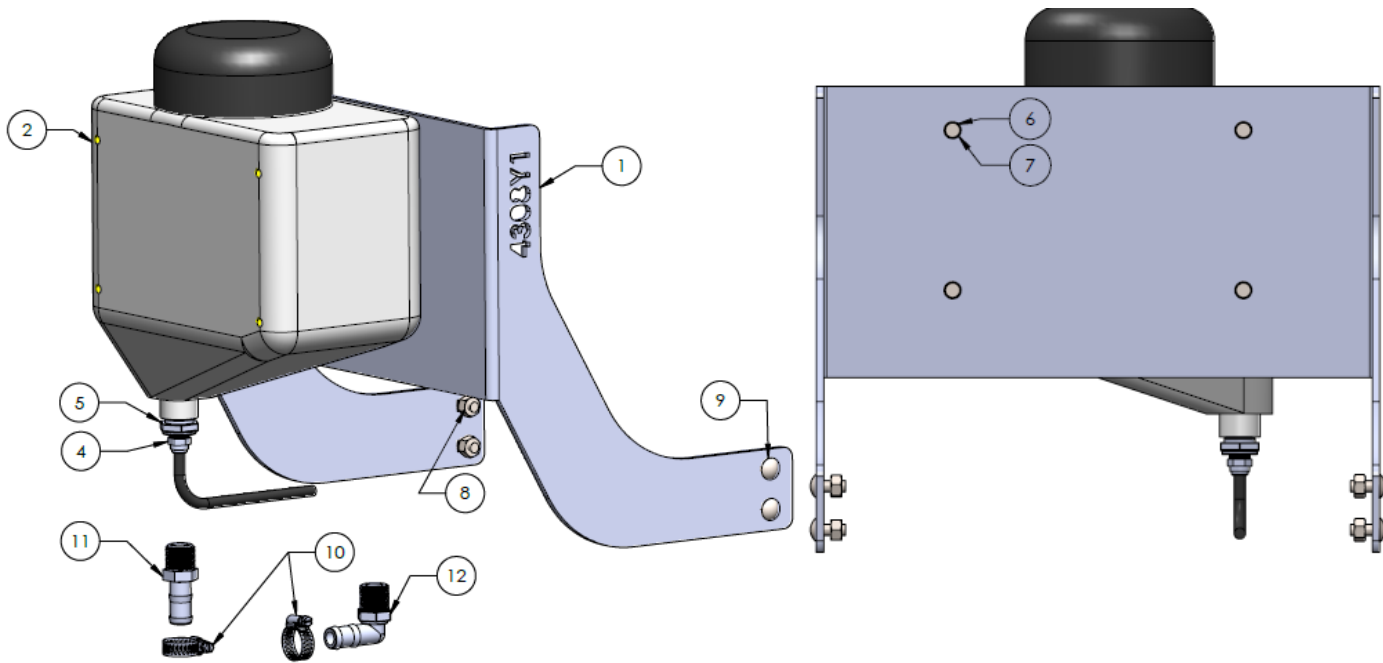


ITEM NO.	PART NUMBER	DESCRIPTION	QTY.
1	470-4307Y1	3 Gallon Rinse Tank Bracket - 55 and 110 Gal HZ Tank Cradles	1
2	727-05-SP0003-RT-BLACK	3 Gallon Square Tank, Black	1
3	300-050008-5	5/16" x 1/2" Hex Head Bolt-G5	4
4	331-05	5/16" Lock Washer	4
5	100-075038RB	3/4" MPT x 3/8" FPT Reducer Bushing	1
6	113-06-038038	QC to MPT - 3/8" QC x 3/8" MPT	1
7	304-060100-SS	Carriage Bolt - 3/8" x 1" SS	4
8	323-06	3/8" Flange Nut	4
9	281-038	3/8" Poly Tube	4'
10	101-075075	3/4" MPT x 3/4" HB	1
11	101-075075-90	3/4" MPT x 3/4" HB - 90 degree	1
12	350-1208	SS Hose Clamp - Size 12 - 1-1/4" Diameter	2
13	280-075-AG200	3/4" Ag 200 Hose	4'

Exploded View and Parts List

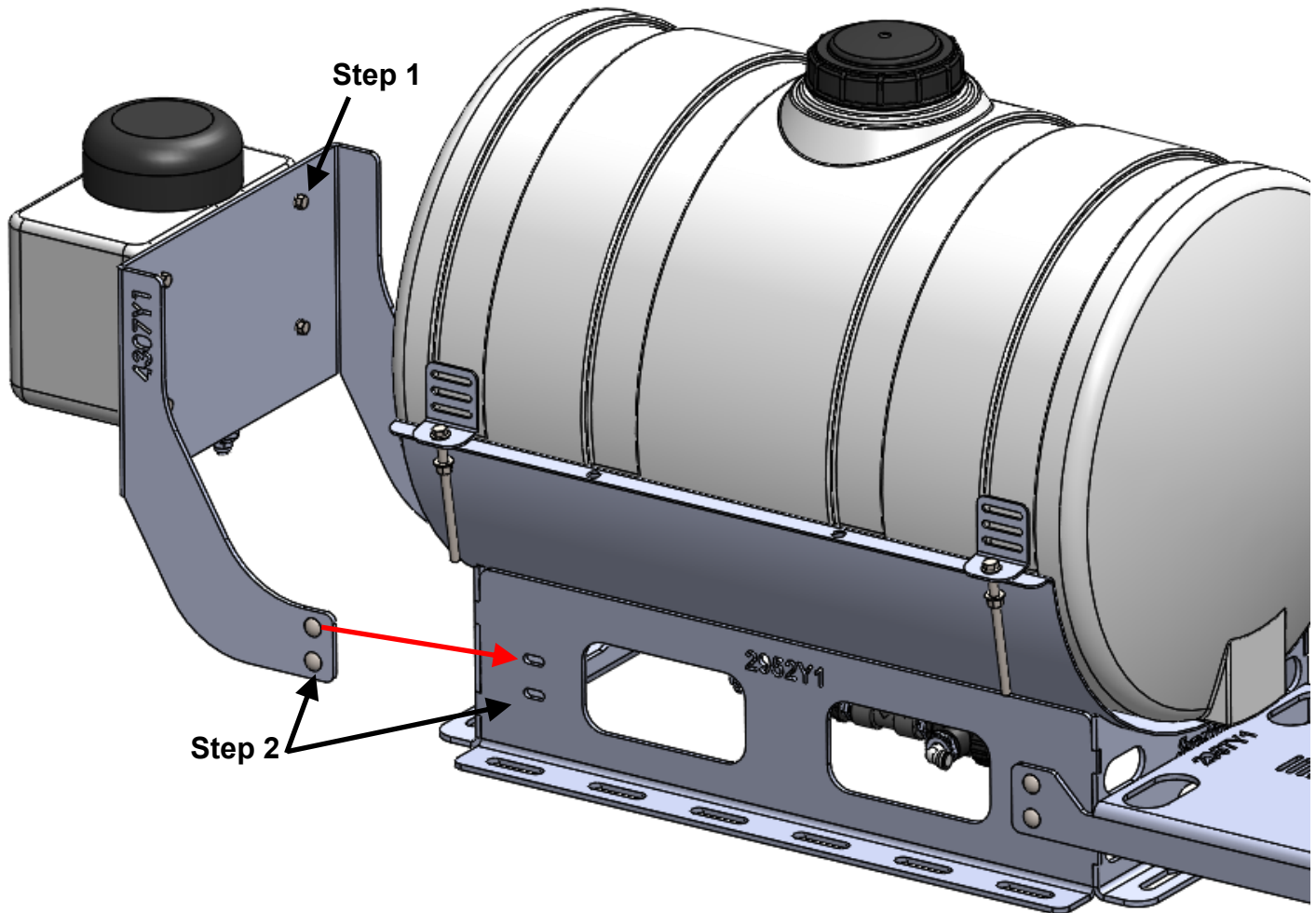
Kit Number: 508-03-100250

Description: 3 Gallon Rinse Tank Kit—200 Gallon Horizontal Tank Cradle



ITEM NO.	PART NUMBER	DESCRIPTION	QTY.
1	470-4307Y1	3 Gallon Rinse Tank Bracket - 55 and 110 Gal HZ Tank Cradles	1
2	727-05-SP0003-RT-BLACK	3 Gallon Square Tank, Black	1
3	300-050008-5	5/16" x 1/2" Hex Head Bolt-G5	4
4	331-05	5/16" Lock Washer	4
5	100-075038RB	3/4" MPT x 3/8" FPT Reducer Bushing	1
6	113-06-038038	QC to MPT - 3/8" QC x 3/8" MPT	1
7	304-060100-SS	Carriage Bolt - 3/8" x 1" SS	4
8	323-06	3/8" Flange Nut	4
9	281-038	3/8" Poly Tube	4'
10	101-075075	3/4" MPT x 3/4" HB	1
11	101-075075-90	3/4" MPT x 3/4" HB - 90 degree	1
12	350-1208	SS Hose Clamp - Size 12 - 1-1/4" Diameter	2
13	280-075-AG200	3/4" Ag 200 Hose	4'

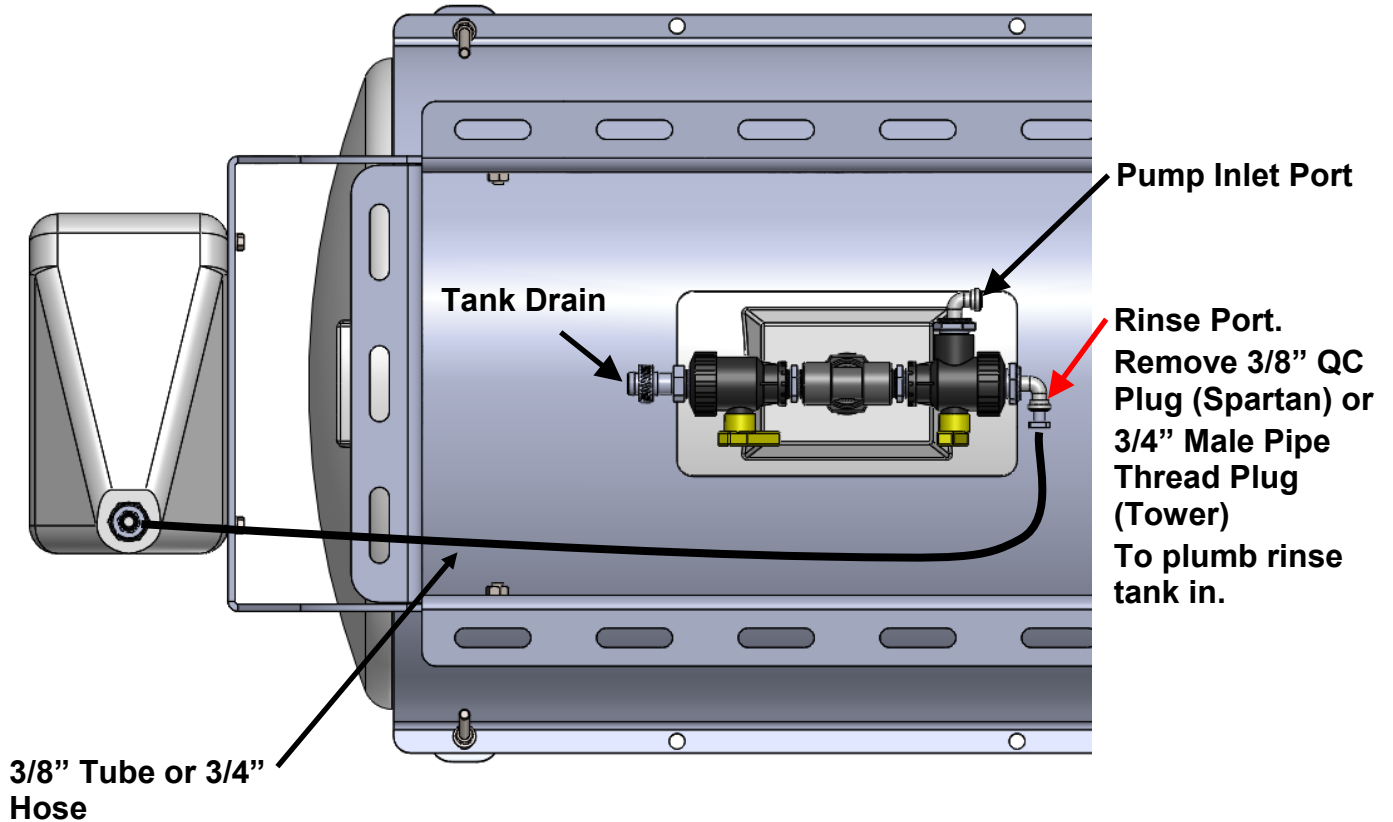
3 Gal Rinse Tank Kit Mounting Instructions



Step 1: Mount 3 Gallon Rinse Tank (727-05-SP0003-RT-Black) to 470-4307Y1 or 470-4308Y1 Rinse Tank Bracket. Use the supplied 5/16"x1/2" Bolts and Lock Washers to fasten.

Step 2: Attach the Rinse Tank Bracket to the Horizontal Tank Cradle, shown above. Use the supplied 3/8"x1" Carriage Bolts and Flange Nuts to fasten.

3 Gal Rinse Tank Kit Plumbing Instructions



Step 1: Remove Rinse Port Plug shown above.

Step 2: For "Spartan" Tank Kits, use the included 3/8" tube and 3/8" Quick Connect fittings to plumb the Rinse Tank into the location shown above. For "Tower" Tank Kits, use the included 3/4" Male Pipe Thread x 3/4" Hose Barb Fittings with Clamps