



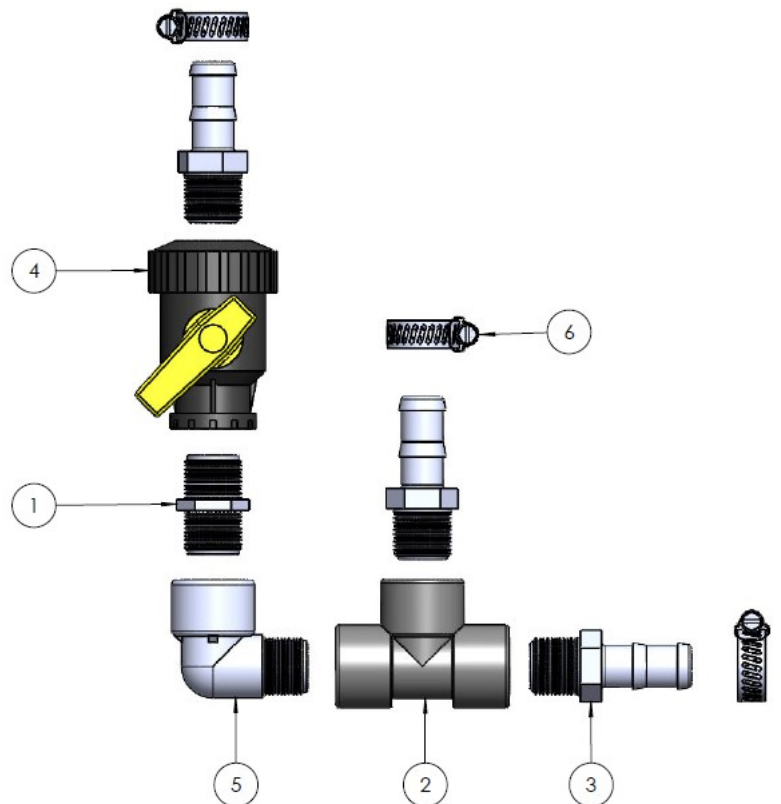
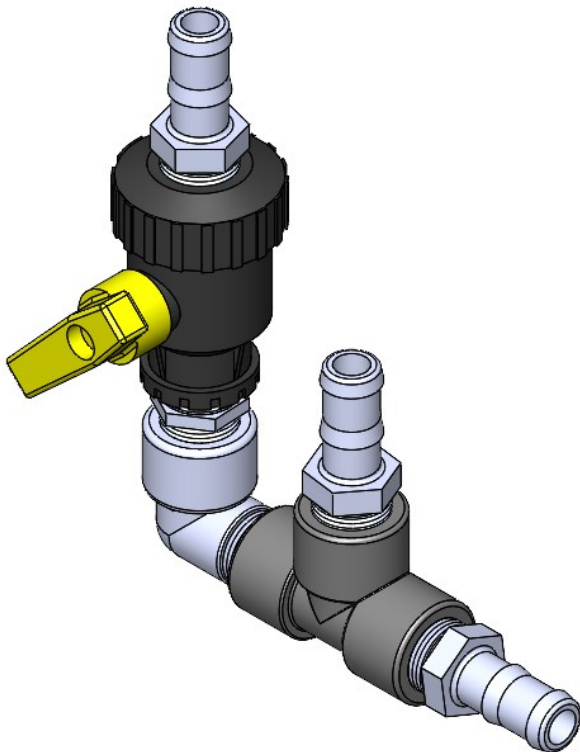
396-6539Y1

Interplant Manifold Valve Shut Off Kit

Kit Number: 520-00-150300

Kit Description: Interplant Manifold Valve Shut Off Kit

ITEM NO.	PART NUMBER	DESCRIPTION	QTY.
1	100-075NIP-SH	3/4" Short Poly Nipple	1
2	100-075TEE	3/4" Poly Tee	1
3	101-075075	3/4" MPT x 3/4" HB	3
4	102-075SUBV	3/4" Union Valve 2 Way	1
5	100-075075SL-90	3/4" Street Elbow - 90 Degree	1
6	350-1208	SS Hose Clamp - 12 - 1-1/4" Diameter	3



Assembly:

1. Apply thread tape to all threads before assembly then assemble as shown.



Installation Instructions

Interplant Shut-off Installation instructions:

1. Assemble Kit as shown on page 1.
2. Mount Flow Indicators in a manner so as interplant Rows Are fed Separately from the fixed rows
3. Install Shut-off kit as show in the picture Below using 3/4" hose and hose clamps.

