

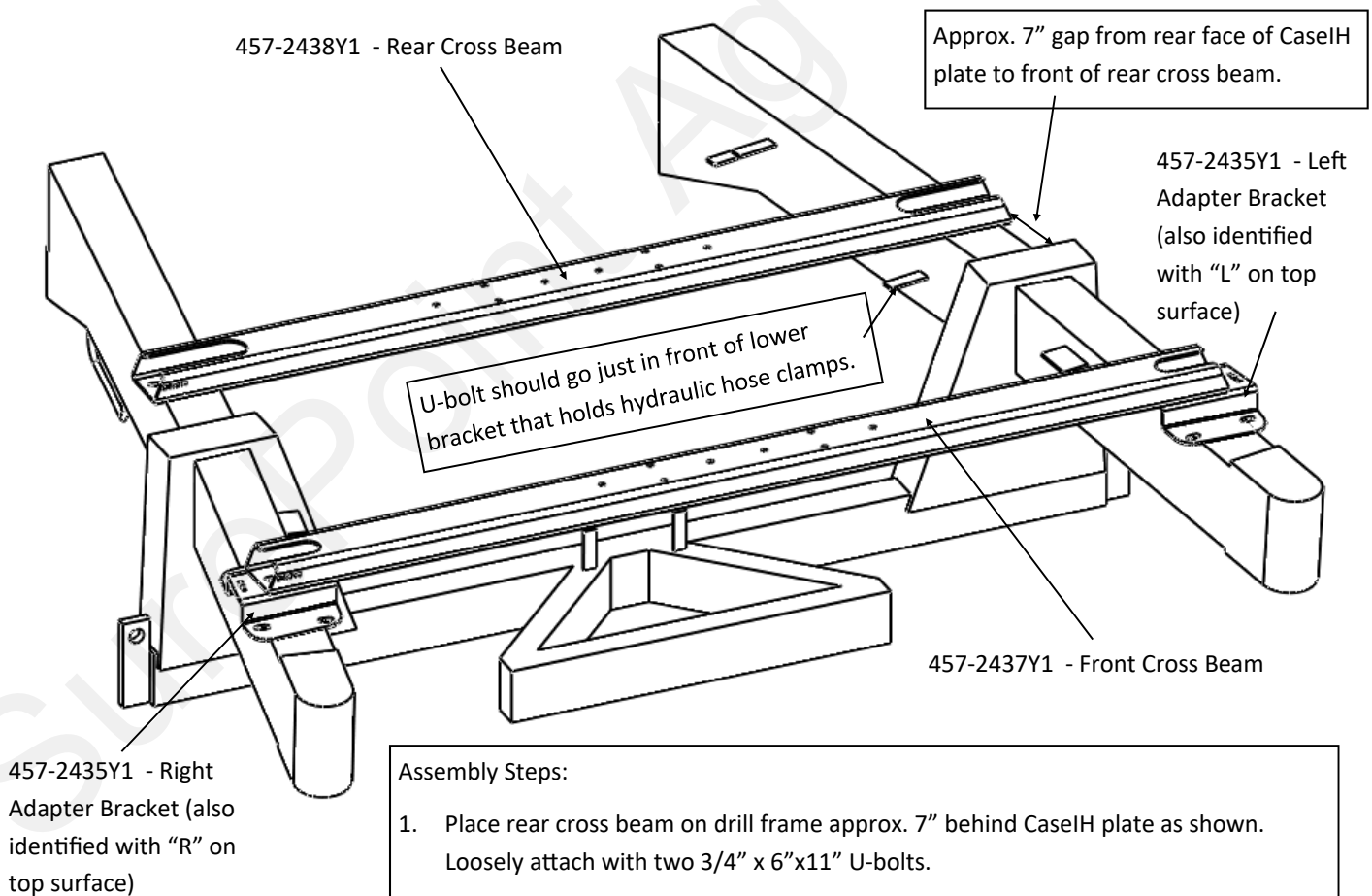


# 396-001740

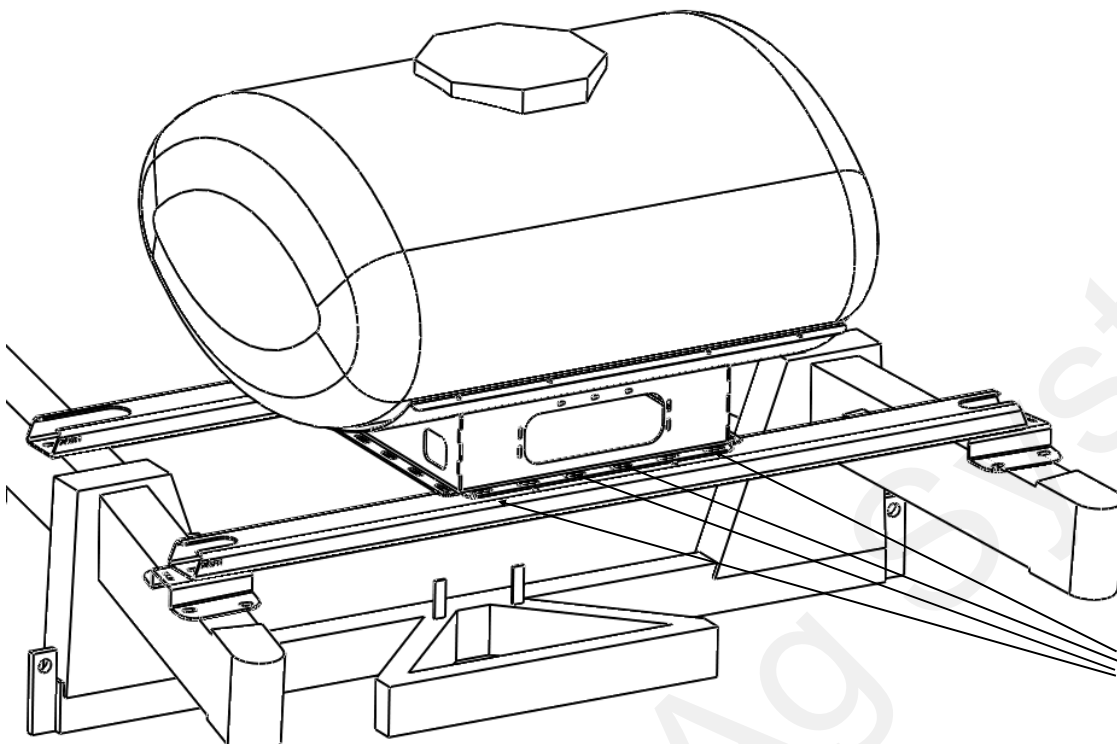
## CaseIH 500/500T 25' & 30' Air Drill Tank Mount Instructions for 300 gallon horizontal or 400 gallon elliptical tank

Air Drill Manufacturer: **CASE IH**  
AGRICULTURE

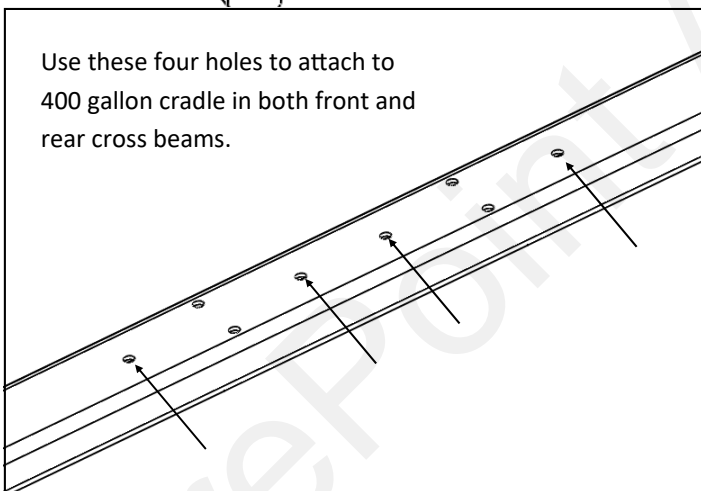
The SurePoint tank mount for the 25 and 30' CaseIH 500/500T air drill uses two 3" x 6" cross tubes to span the drill frame and support the tank. Either a 300 gallon or 400 gallon tank can be used with this kit. The front cross beam is supported by the center front wheel frames. There is an adapter bracket on each side to compensate for the downward and outward angle these frames sit at relative to the main frame. All 4 main parts of the kit have laser cut part numbers for easy identification.



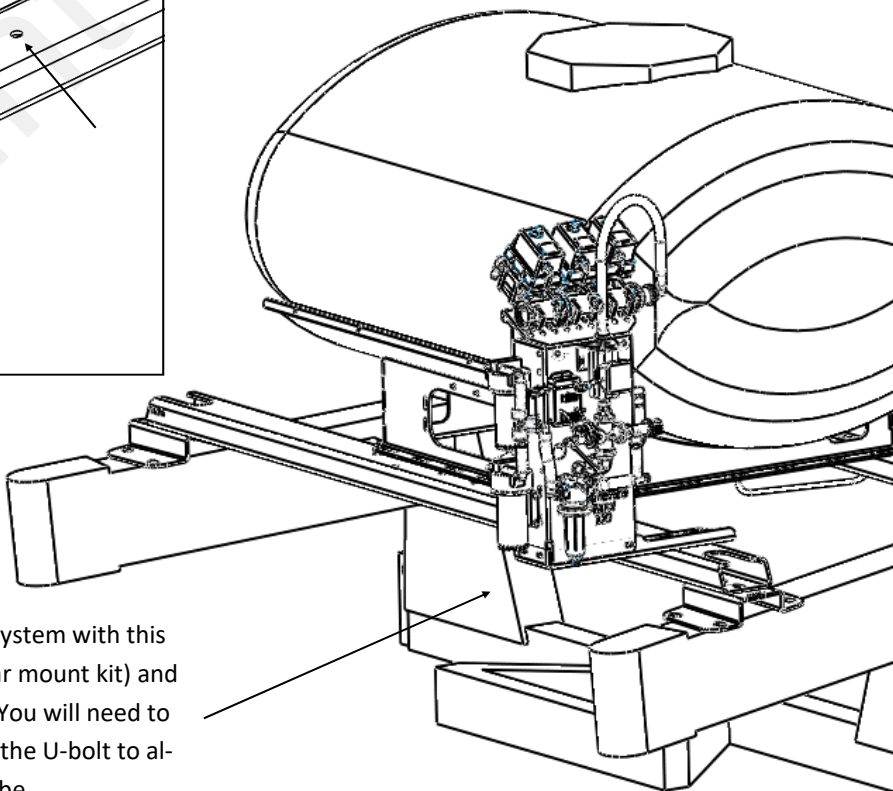
# CaseIH 500/500T 25' & 30' Air Drill Tank Mount Details for 400 gallon elliptical tank



Attach 400 gallon cradle with four 5/8" x 5" bolts, in both front and rear cross beam. Recommend bolts pointing upward to avoid hitting exposed threads when working on drill underneath tank.



Use these four holes to attach to 400 gallon cradle in both front and rear cross beams.



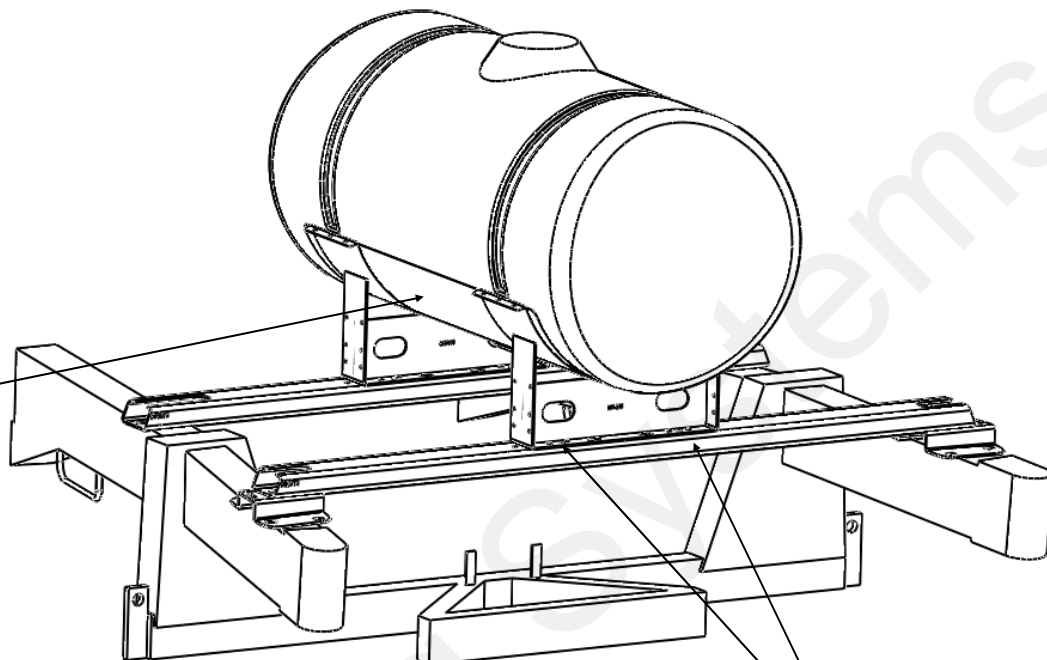
To mount a SurePoint Tower pump system with this tank, use kit # 511-1010 (direct to bar mount kit) and two 1/2" U-bolts, part # 380-1017. You will need to use a few extra 1/2" flat washers on the U-bolt to allow for the smaller 3" rectangular tube.



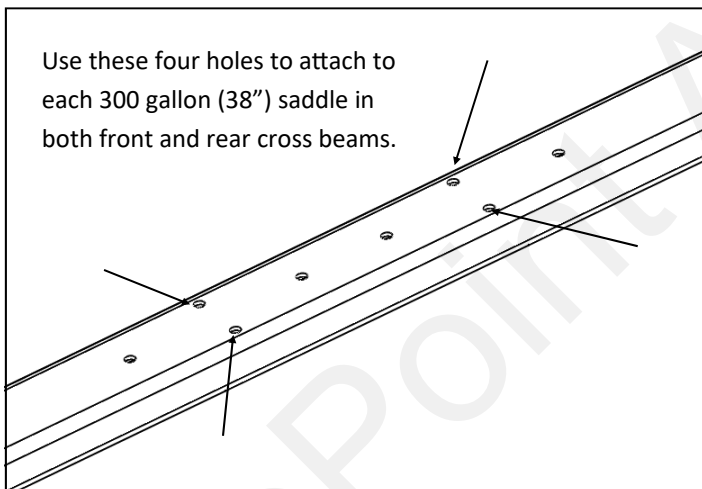
# CaseIH 500/500T 25' & 30' Air Drill Tank Mount Details for 300 gallon horizontal tank



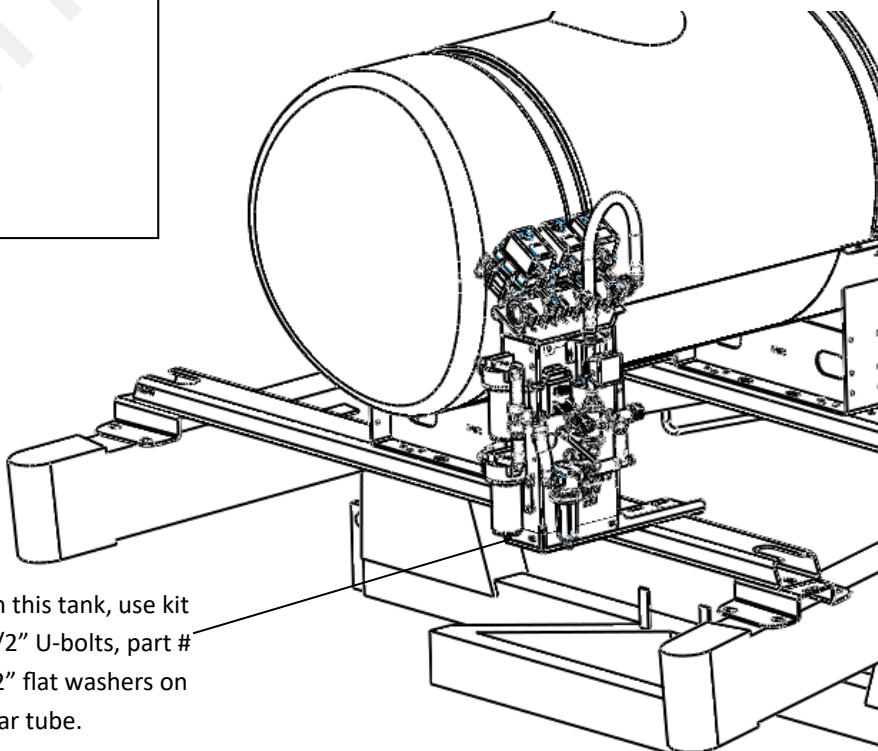
A rolled steel sheet is placed across both saddles under the tank to support the poly tank.



Attach each 300 gallon saddle with four 5/8" x 5" bolts, in both front and rear cross beam. Recommend bolts pointing upward to avoid hitting exposed threads when working on drill underneath tank.



Use these four holes to attach to each 300 gallon (38") saddle in both front and rear cross beams.



To mount a SurePoint Tower pump system with this tank, use kit # 511-1010 (direct to bar mount kit) and two 1/2" U-bolts, part # 380-1017. You will need to use a few extra 1/2" flat washers on the U-bolt to allow for the smaller 3" rectangular tube.

