



396-001820

Tank Mounting Instruction

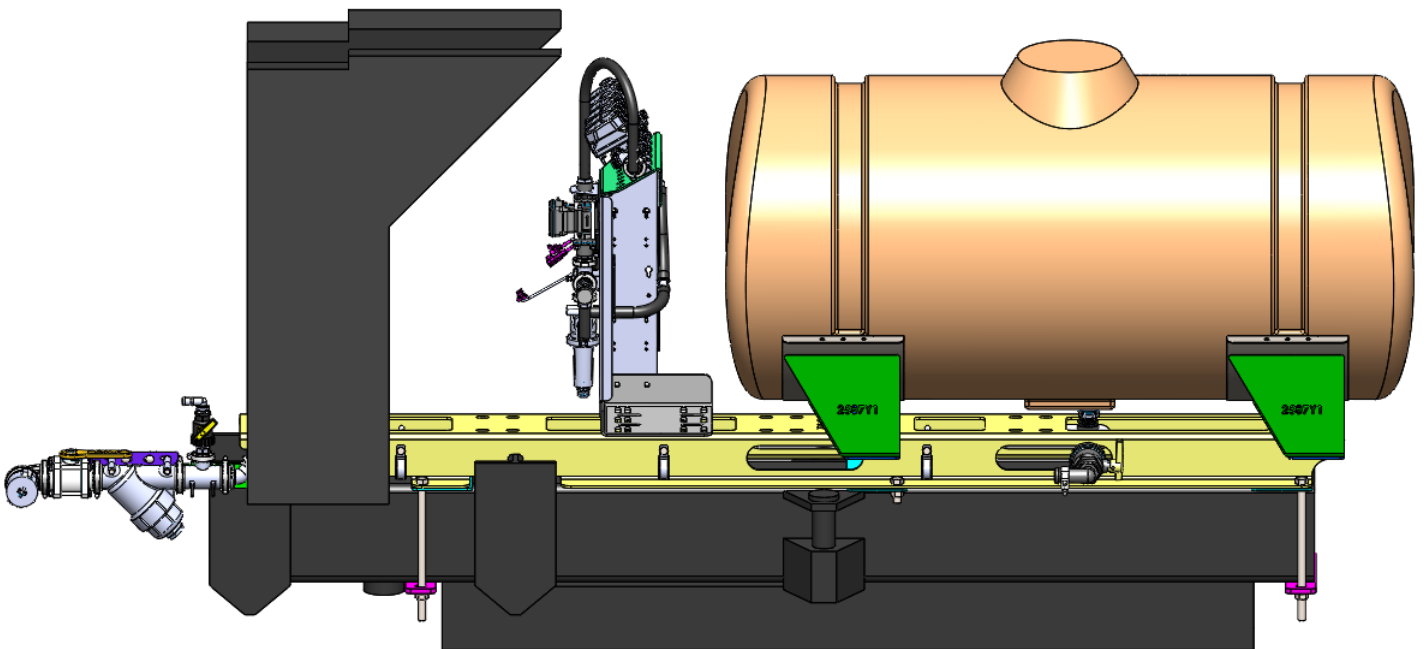
25' & 30' Drills With Markers

Single 200 Gallon Tank

Drill Manufacturer:



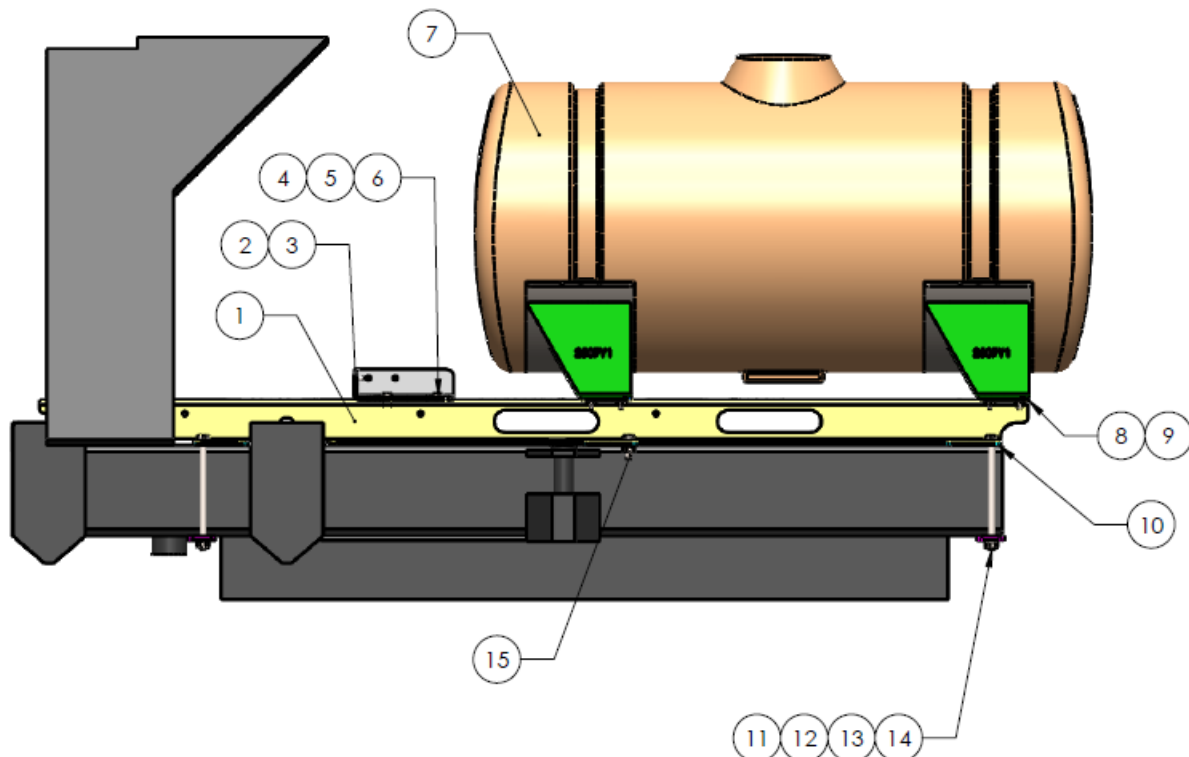
Kit Number: 551-02-100400





Parts List

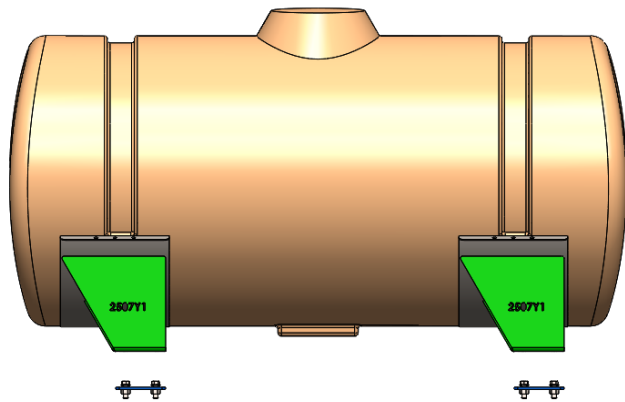
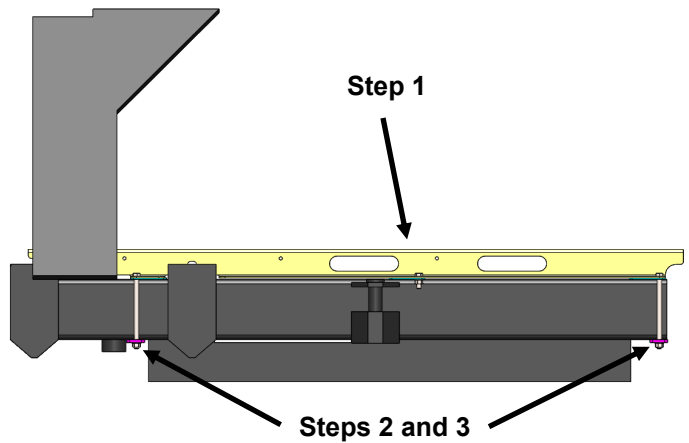
ITEM NO.	PART NUMBER	DESCRIPTION	QTY.
1	451-2395Y2	Attachment Bracket for CrustBuster	1
2	384-1080	3/8" Hardware Kit - Carriage Bolts and Nuts	1
3	410-2057A2	Tower Mounting Bracket	1
4	323-08	1/2" Flange Nut	20
5	330-08	1/2" Flat Washer	20
6	300-080108-5	1/2" x 1-1/2" HCS G5	20
7	727-02-HZ00200AWSS	200 Gallon 32" Horizontal Tank	1
8	420-2543Y1	Flat Plate that fits saddle 2507Y1 bottom hole pattern	2
9	420-2507Y1	32" Tank Saddle Weld Assembly	2
10	451-2544Y1	Bottom Support Plate for CrustBuster 451-2395Y1	3
11	451-2545Y1	Backer Plate for CrustBuster 3/4" bolts	2
12	330-12	3/4" Flat Washer	6
13	320-12	3/4" Nut	6
14	300-121200-5	3/4" x 12" HCS G5	4
15	300-120200-5	3/4" x 2" HCS G5	2
16	708-5133207	2" Tank Strap	2





Step by Step Instructions

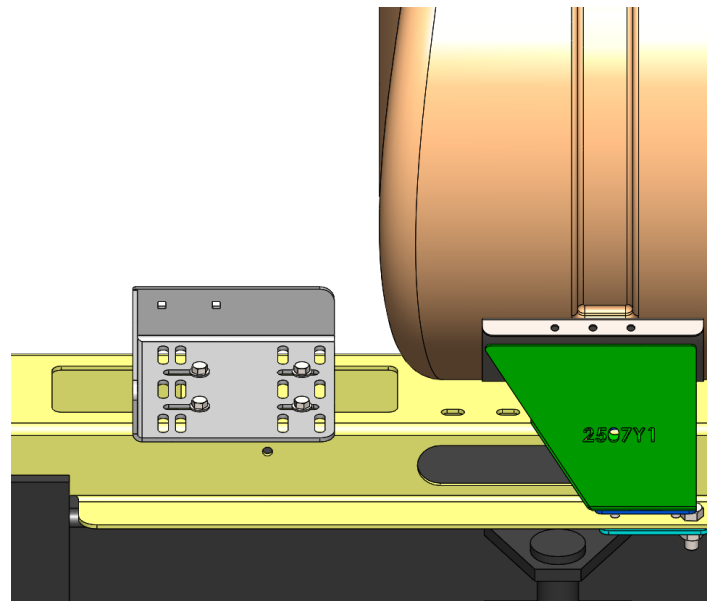
1. Bolt center support plate to attachment bracket using short 3/4" bolts.
2. Position attachment bracket on frame with remaining Support Plates in position under each end.
3. Bolt attachment bracket in place using backer plates and long 3/4" bolts.



4. Loosely bolt plate 2543Y1 and tank saddles to attachment bracket using 1/2" bolt, washer, and flange nuts. Also bolt plates to saddles in all four corners.
5. Position tank in saddles, and strap in place using tank straps.
6. Tighten all 1/2" bolts in place.



7. Bolt tower mounting bracket to attachment bracket in front of tank using four 1/2" bolts, washers, and flange nuts. Tower will bolt to this bracket with 3/8" carriage bolts.

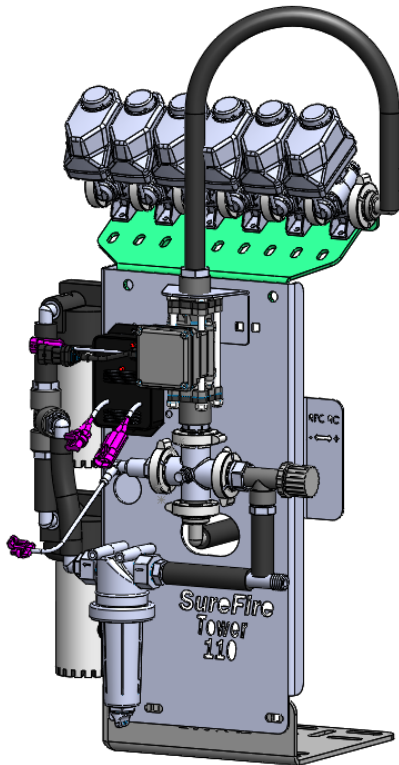




Optional/Related Items

Tower Pump Kit

Instruction sheet for this kit: 396-001420

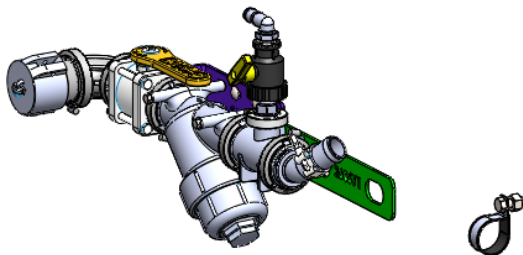


The electric pumps on the Tower are fed with 3/4" hose from the valve on the plumbing kit below.

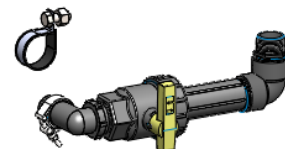
Tank Fill and Discharge Kit

Kit Number: 555-2001

Instruction sheet for this kit: 396-2607Y1



The fill kit provides a 2" male cam adapter fill point and 3/4" hose barb to feed electric pumps in the Tower above.





Optional/Related Items

Manifold Kits:

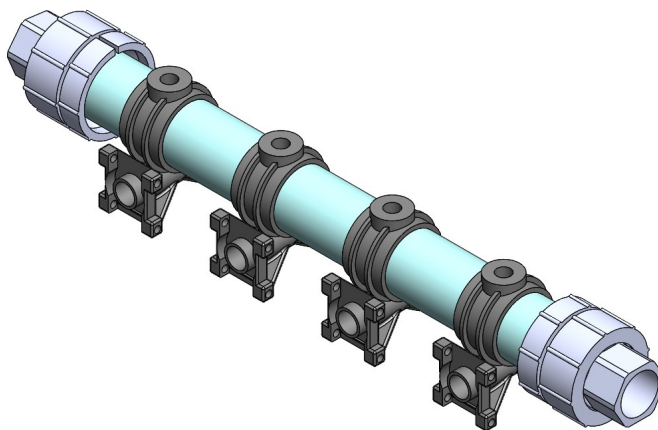
Instruction sheet for this kit: **396-001750**

553-02-25000: 25' 7.5" spacing

553-02-25500: 25' 10" spacing

553-02-30000: 30' 7.5" spacing

553-02-30500: 30' 10" spacing



Stainless Steel Tubes:

270-93CBAP (left)

-Places fertilizer before press wheel

270-CB-RD (below)

-Places fertilizer behind press wheel

