



396-001310

John Deere 1770/1775NT

40 Ft - 16 Row

Hitch Mounted Tank Instructions

Planter Manufacturer:



JOHN DEERE

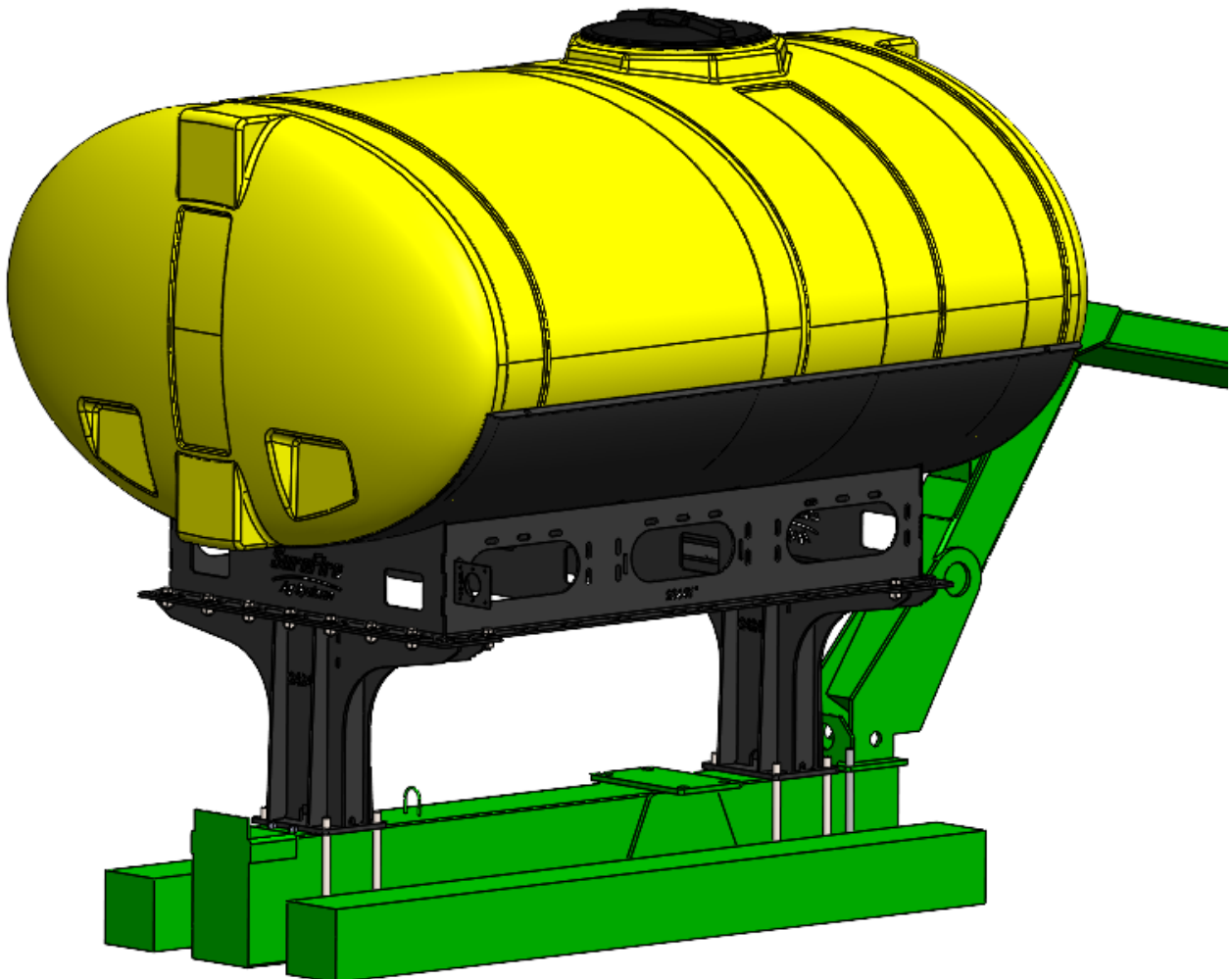
Kit Number:

530-01-250400: 400 Gallon Elliptical Tank Kit

530-01-250500: 500 Gallon Elliptical Tank Kit

530-01-250550: 600 Gallon Elliptical Tank Kit

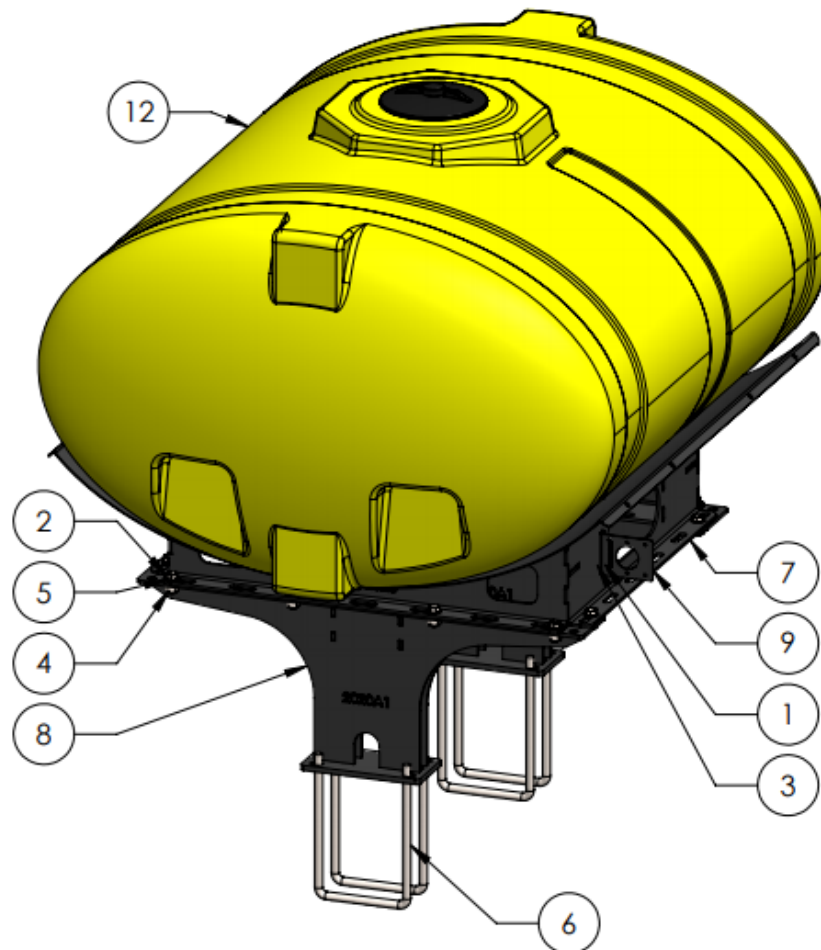
530-01-250600: 750 Gallon Elliptical Tank Kit





Parts List and Exploded View Kit Number: 530-01-250400 (400 Gal)

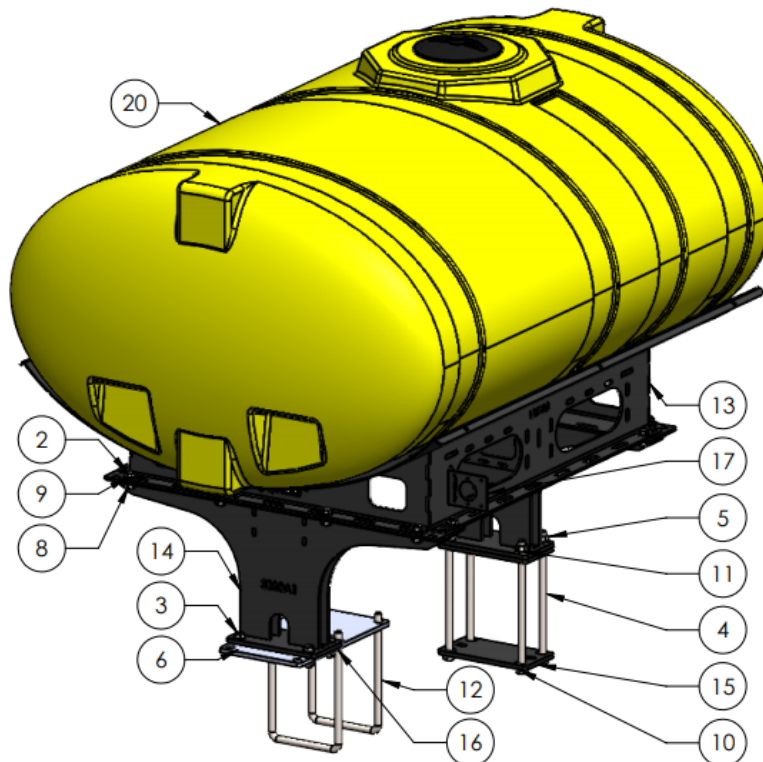
ITEM NO.	PART NUMBER	DESCRIPTION	QTY.
1	300-060012-5	3/8" x 3/4" Hex Head Bolt - G5	2
2	300-100108-5	5/8" x 1-1/2" Hex Head Bolt - G5	12
3	323-06	3/8" Flange Nut	2
4	323-10	5/8" Flange Nut	12
5	330-10	5/8" Flat Washer	12
6	380-1066	3/4" U-Bolt Kit - Fits 8"x12" tube	4
7	421-1333A2-BK	400 Gallon Elliptical Cradle	1
8	421-2020Y1-BK	Hitch Mount Tank Pedestal	2
9	422-2678Y1	Bracket for Vacuum Gauge on JD Planters	1
10	521-00-100255	John Deere CCS Gauge Extension Assembly	1
11	525-3000	3" Tank Strap Kit for 400-1000 Gallon	2
12	727-01-HE0400-57-Y	Elliptical Tank - 400 Gal - Yellow	1
13	396-001310	John Deere 16R 30' 1770 Front Fold Planter Hitch Mount Tank instructions	1





Parts List and Exploded View Kit Number: 530-01-250500 (500 Gal)

ITEM NO.	PART NUMBER	DESCRIPTION	QTY
1	300-060012-5	3/8" x 3/4" Hex Head Bolt - G5	2
2	300-100108-5	5/8" x 1-1/2" Hex Head Bolt - G5	12
3	300-100200-5	5/8" x 2" Hex Head Bolt - G5	4
4	300-121500-5	3/4" x 15" Hex Head Bolt - G5	4
5	320-12	3/4" Nut G8	4
6	321-10	5/8" Nylock Nut	4
7	323-06	3/8" Flange Nut	2
8	323-10	5/8" Flange Nut	12
9	330-10	5/8" Flat Washer	20
10	330-12	3/4" Flat Washer G8	8
11	331-12	3/4" Lock Washer G8	4
12	380-1066	3/4" U-Bolt Kit - Fits 8" x 12" Tube	2
13	421-1329A2	500 Gallon Elliptical Cradle	1
14	421-2020A1	Planter Hitch Mount Tank Pedestal	2
15	421-2023A1-BK	Bolt Plate	2
16	421-2045A1-BK	Spacer/Adapter Bolt Plate for Hitch Mounting	1
17	422-2678Y1	Vacuum Gauge Bracket	1
18	521-00-100255	Vacuum Gauge Extension Assembly	1
19	525-3000	3" Tank Strap Kit	3
20	727-01-HE0500-57-OS-Y	500 Gallon Elliptical Tank—Yellow	1
21	396-001310	John Deere 16R 30' 1770 Front Fold Planter Hitch Mount Tank Instructions	1

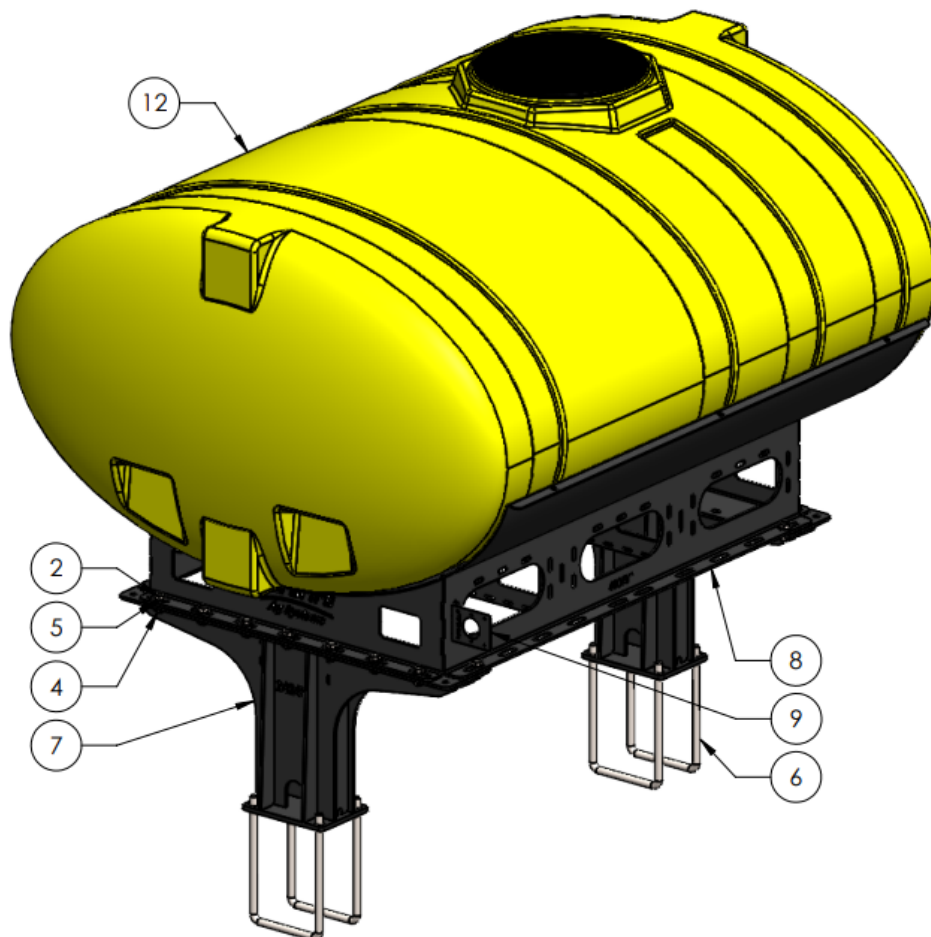




Parts List and Exploded View

Kit Number: 530-01-250550 (600 Gal)

ITEM NO.	PART NUMBER	DESCRIPTION	QTY.
1	300-060012-5	3/8" x 3/4" Hex Head Bolt - G5	2
2	300-100108-5	5/8" x 1-1/2" Hex Head Bolt - G5	18
3	323-06	3/8" Flange Nut	2
4	323-10	5/8" Flange Nut	18
5	330-10	5/8" Flat Washer	18
6	380-1066	3/4" U-bolt Kit - fits 8" x 12" tube	4
7	421-2424Y2	20" 600-750 Gallon Tank Pedestal	2
8	421-4105Y1	600 Gallon Elliptical Cradle	1
9	422-2678Y1	Bracket for Vacuum Gauge on JD Planters	1
10	521-01-100255	John Deere CCS Gauge Extension Assembly	1
11	525-750	3" 600/750 Gallon Tank Strap Kit	3
12	727-01-HE0600-64-CS-Y	Elliptical Tank - 500 Gal - Yellow	1
13	396-001310	John Deere 16R30 1770 Front Fold Planter Hitch Mount Tank instructions	1

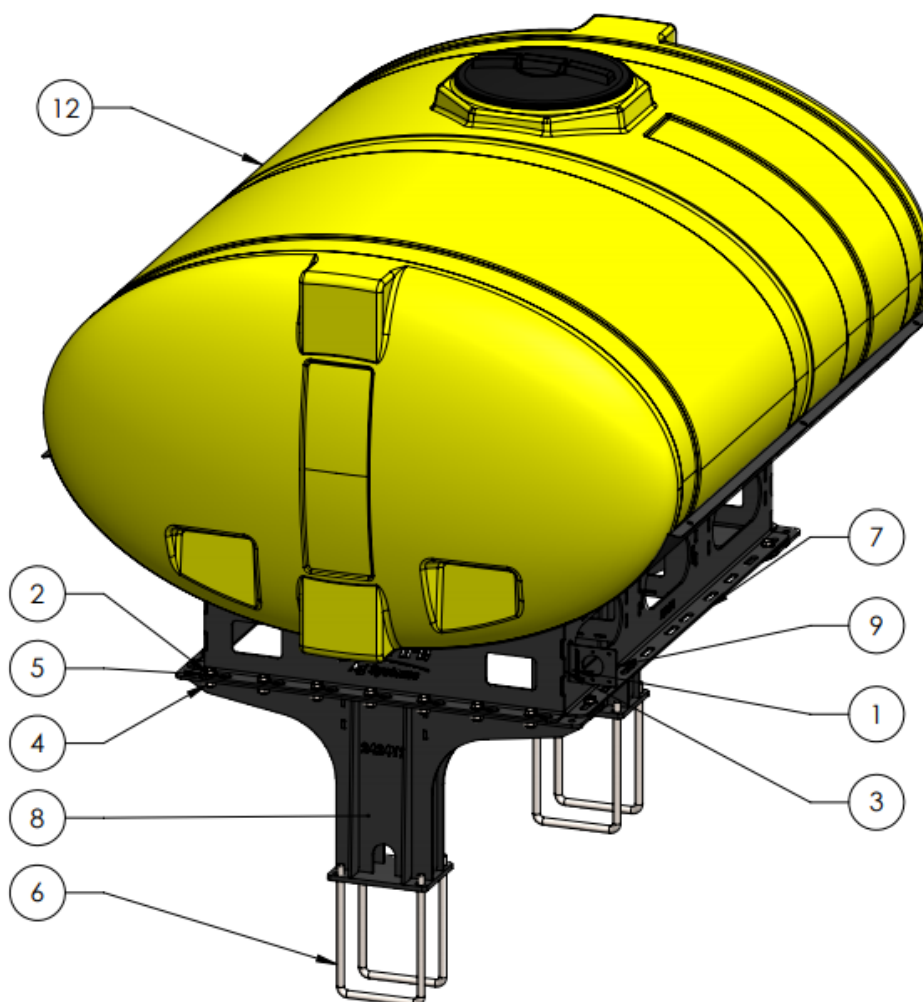




Parts List and Exploded View

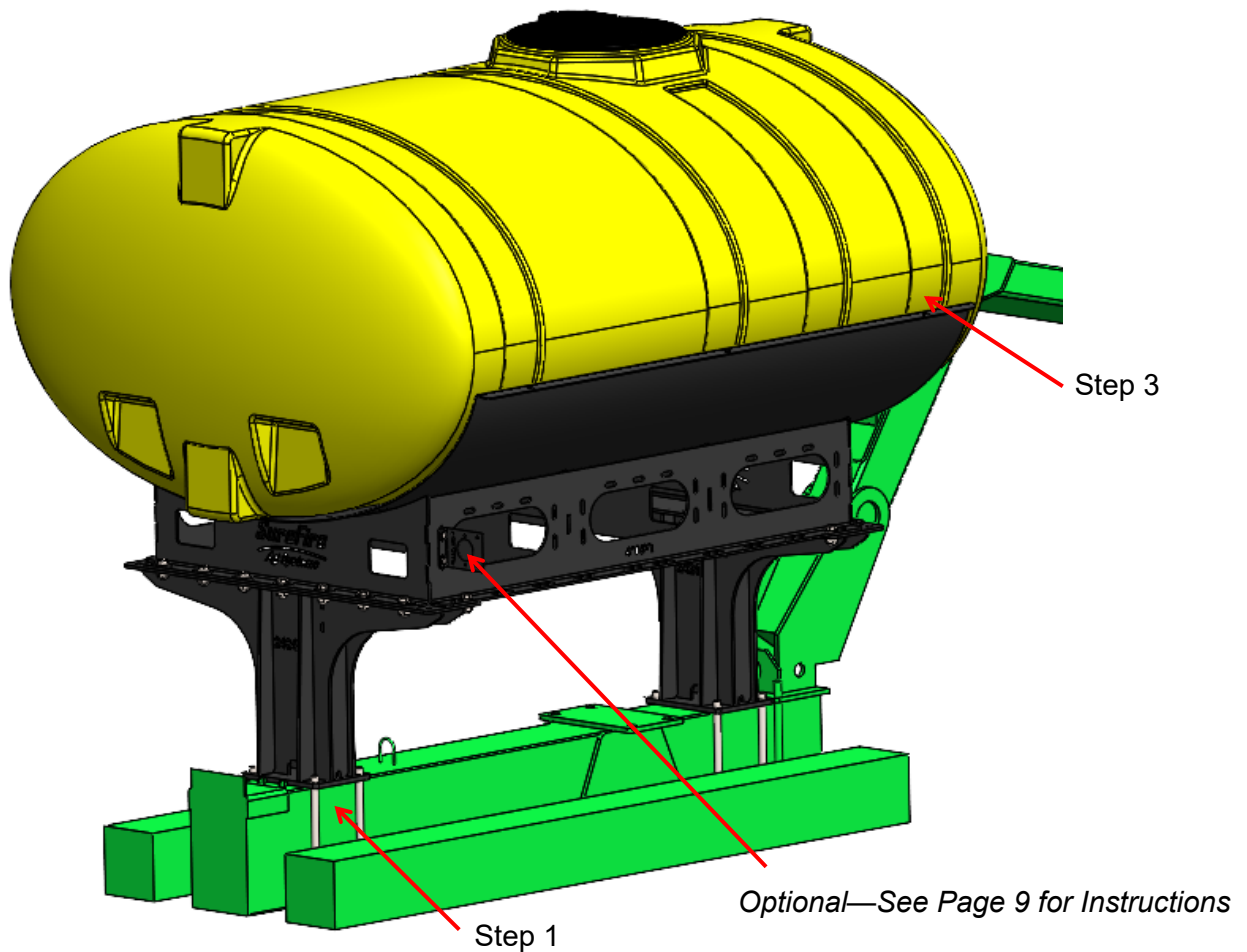
Kit Number: 530-01-250600 (750 Gal)

ITEM NO.	PART NUMBER	DESCRIPTION	QTY.
1	300-060012-5	3/8" x 3/4" Hex Head Bolt - G5	2
2	300-100108-5	5/8" x 1-1/2" Hex Head Bolt - G5	18
3	323-06	3/8" Flange Nut	2
4	323-10	5/8" Flange Nut	18
5	330-10	5/8" Flat Washer	18
6	380-1066	3/4" U-bolt Kit - fits 8" x 12" tube	4
7	421-2424Y2	20" 600-750 Gallon Tank Pedestal	2
8	421-2364Y1	750 Gallon Elliptical Tank Cradle	1
9	422-2678Y1	Bracket for Vacuum Gauge on JD Planters	1
10	521-00-100255	John Deere CCS Gauge Extension Assembly	1
11	525-750	3" 600/750 Gallon Tank Strap Kit	3
12	727-01-HE0750-69-OS-Y	750 Gallon Elliptical Tank	1
13	396-001310	John Deere 16R30 1770 Front Fold Planter Hitch Mount Tank instructions	1





Step by Step Instructions



General Tank Mounting Instructions:

**It is recommended to remove existing vacuum gauge prior to tank installation and installation of new vacuum gauge bracket. See Page 6 for further instructions.*

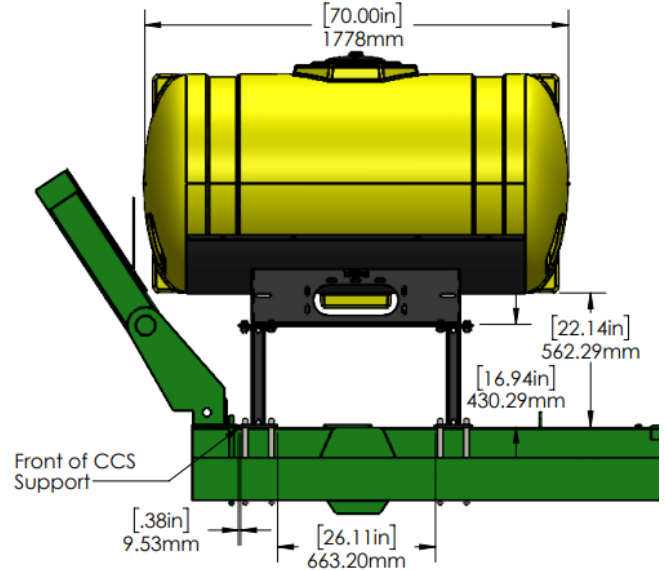
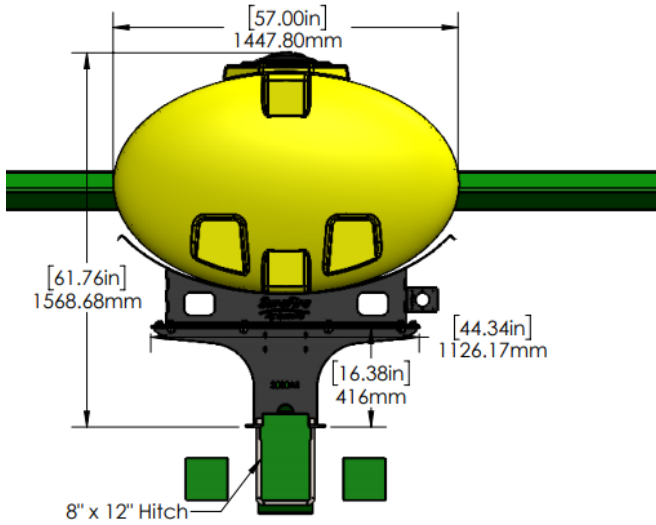
1. Position support stands per planter model on the following drawings. Loosely attach support stand with 3/4" u-bolts.
2. Place tank cradle on support stands. Bolt loosely with 5/8" bolts. *(Tip: 500 gallon tank cradle can be mounted with sump forward or rearward.)*
3. Install tank and secure with straps. *(This step may have already been completed)*
4. Inspect tank and tank brackets for interference and tighten all bolts.
5. Tighten straps again after the tank has been filled.

NOTE: REFER TO THE FOLLOWING PAGES FOR SPECIFIC INSTALLATION GUIDES.

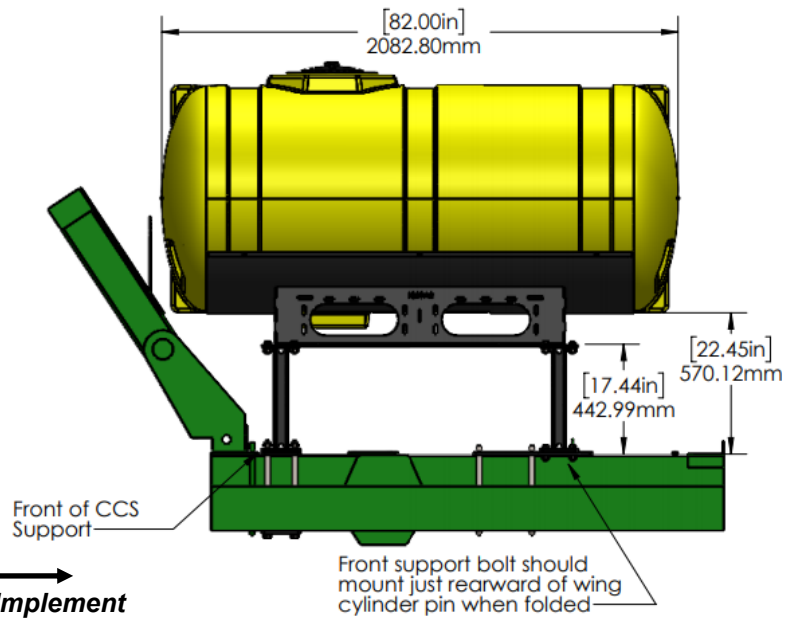
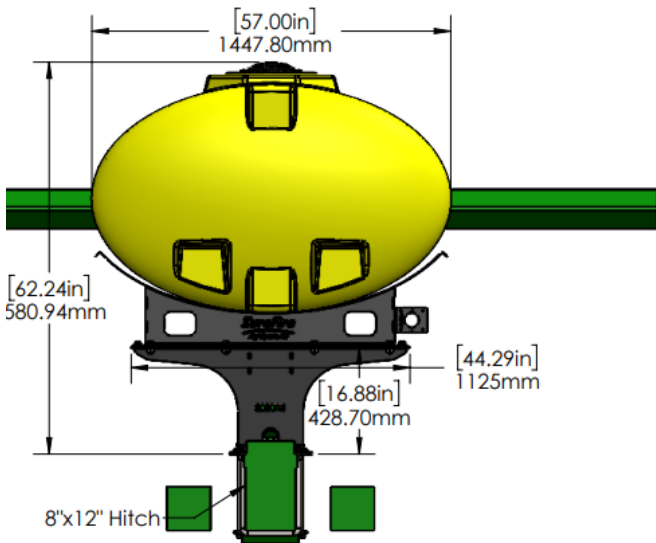


Tank Installation Guide

→
Front of Implement



400 Gallon on JD 1770NT/1775NT 16R30 -NO Refuge Tank, w/ or w/o markers



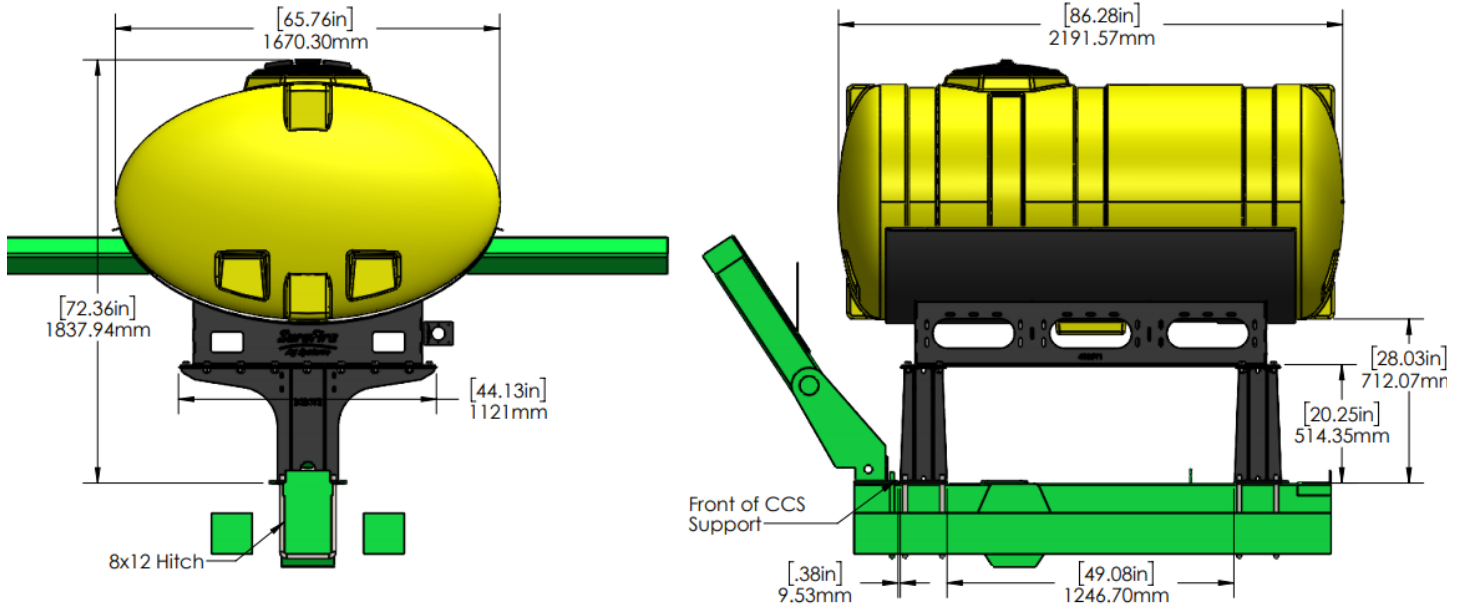
→
Front of Implement

500 Gallon on JD 1770NT/1775NT 16R30 -NO Refuge Tank, w/ or w/o markers

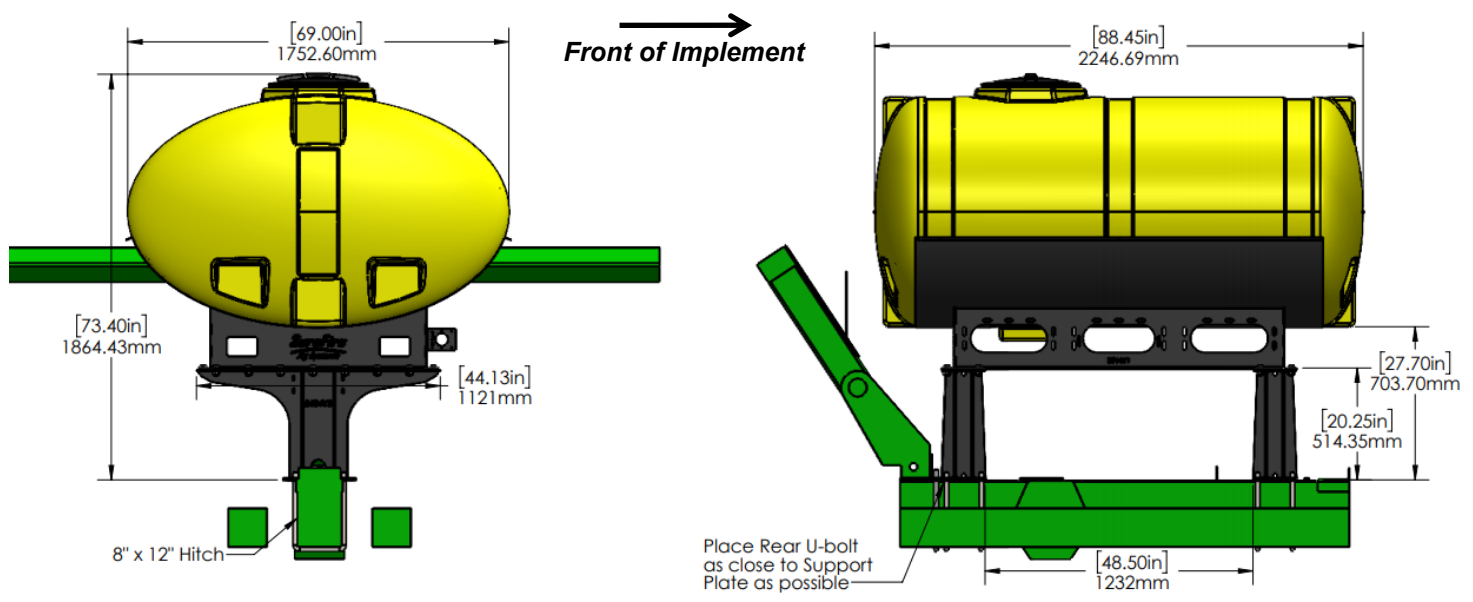


Tank Installation Guide

→
Front of Implement



600 Gallon on JD 1770NT/1775NT 16R30 -NO Refuge Tank, w/ or w/o markers



700 Gallon on JD 1770NT/1775NT 16R30 -NO Refuge Tank, w/ or w/o markers



Optional Vacuum Gauge Bracket Installation Instructions

The CCS vacuum gauge must be moved so it can be seen with the tank installed.

Instructions:

1. Mount 422-2678Y1 gauge bracket to the front of the tank cradle using 3/8" bolts and flange nuts. (Shown Below)
2. Remove gauge from current mount and mount vacuum gauge to new bracket using existing hardware.
3. Use 1/4" hose mender and 3/8" OD poly tubing (P/N 521-00-100255) to extend vacuum tubing to relocated vacuum gauge.

