



396-2607Y1

Fill & Discharge Plumbing Kit

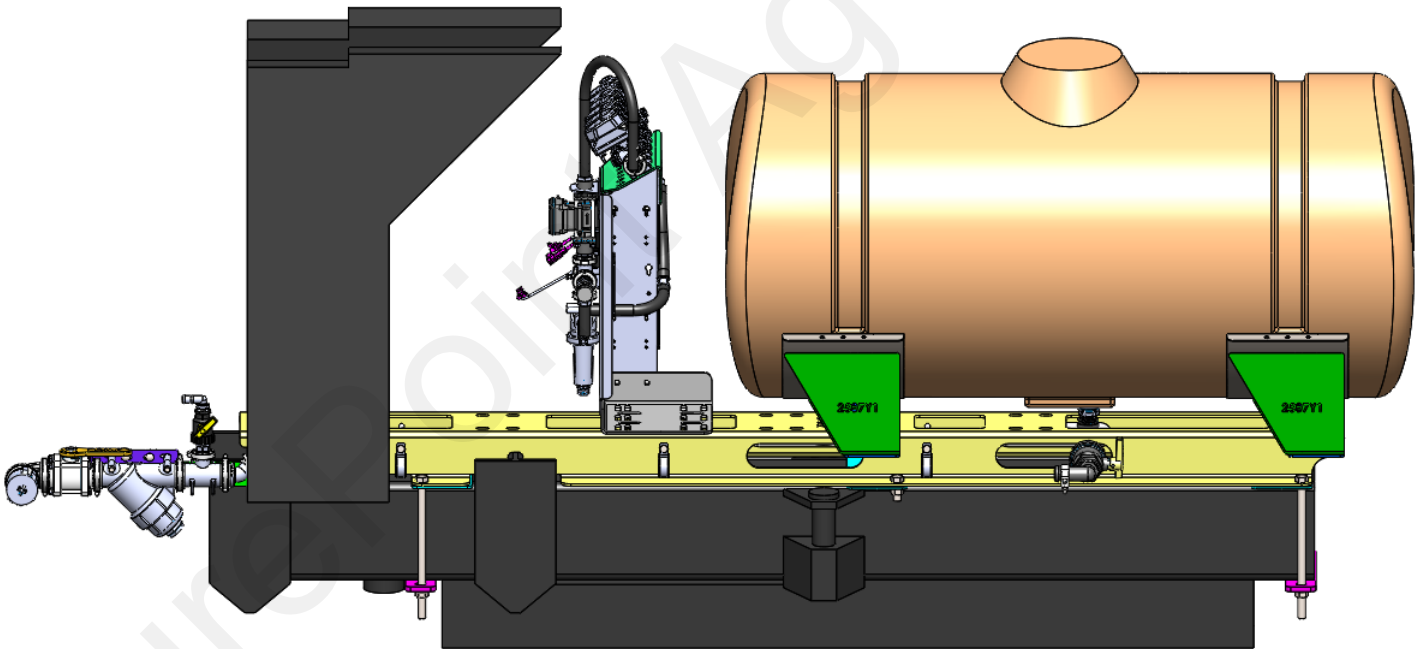
25' & 30' Drills With Markers

Single 200 Gallon Tank

Drill Manufacturer:



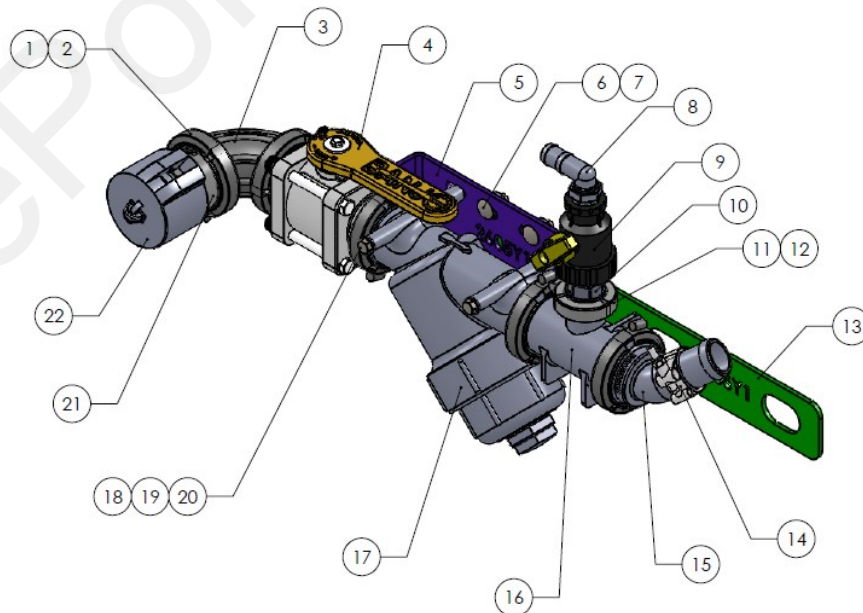
Kit Number: 555-2001





Parts List for Strainer Fill Assembly

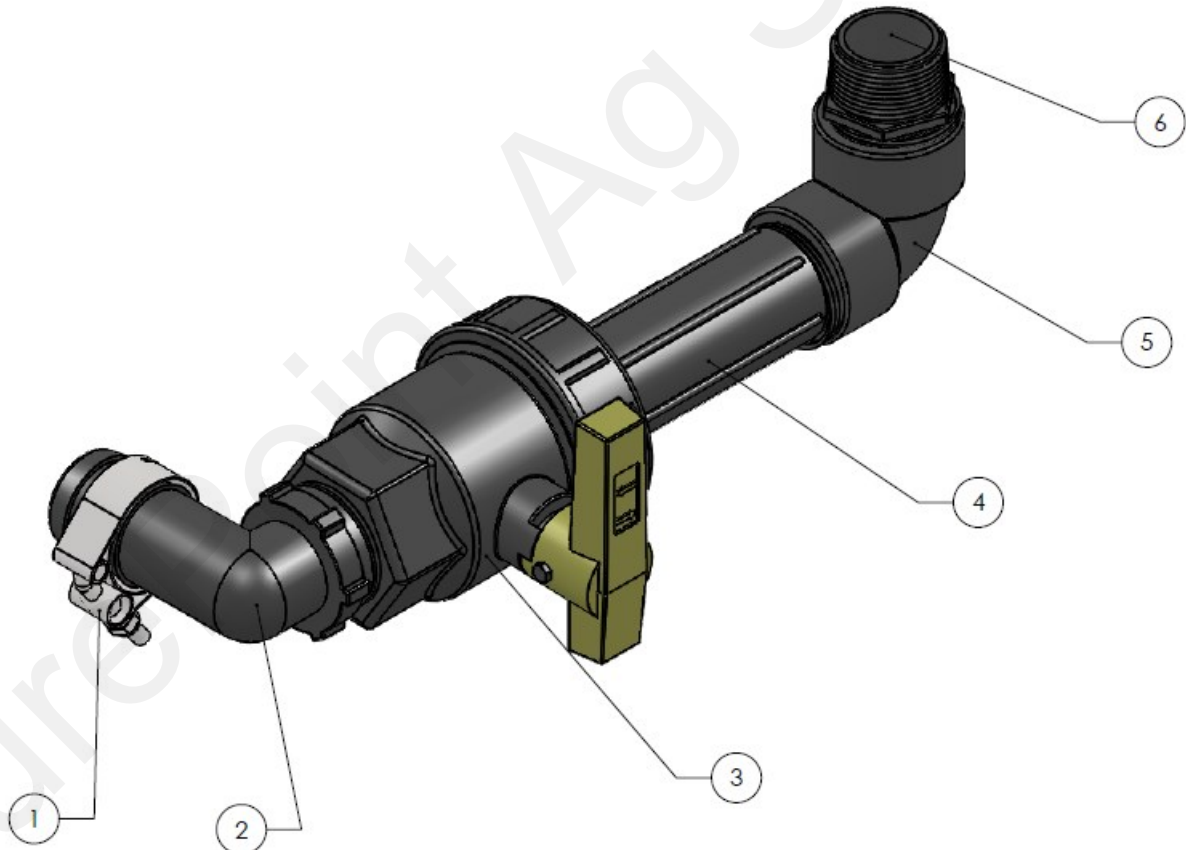
ITEM NO.	PART NUMBER	DESCRIPTION	QTY.
1	105-150G	1 1/2" EPDM Gasket	5
2	105-FC200	2" Manifold Clamp	5
3	105-200SWP90	2" Manifold Sweep - 90 Degree	1
4	102-200MVCF	2" Manifold Ball Valve	1
5	400-2605Y1	Universal Fill Kit Strainer Mount	1
6	304-060100	3/8" x 1"	4
7	323-06	3/8" Flange Nut	4
8	101-075075-90	3/4" MPT x 3/4" HB - 90 degree	1
9	102-075SUBV	3/4" Union Valve 2 Way	1
10	105-100075MPT	1" Manifold x 3/4" MPT	1
11	105-FC100	1" Manifold Clamp	1
12	105-100G	1" EPDM Manifold Gasket	1
13	451-2606Y1	25' & 30' Crustbuster Fill Mounting Bracket	1
14	350-TC181	T-Bolt Hose Clamp - Fits 1 1/2" Enforcer or AG200	1
15	105-200150BRB45	2" Manifold x 1-1/2" HB - 45 Degree	1
16	105-200100TEE	2"Std Port x 1" Flanged Tee	1
17	109-200MLS-20M	2" Manifold Y Strainer - 20Mesh w/ 5/16" bolt holes	1
18	323-05	5/16" Flange Nut	2
19	330-05	5/16" Flat Washer	2
20	300-050508-5	5/16" x 5-1/2" HCS G5	2
21	105-200A	2" Manifold x 2" Male Adapter	1
22	106-200CAP	2" Cap	1
23	101-075075	3/4" MPT x 3/4" HB	1
24	350-1208	Hose Clamp for 3/4" Hose	2





Parts List for Under Tank

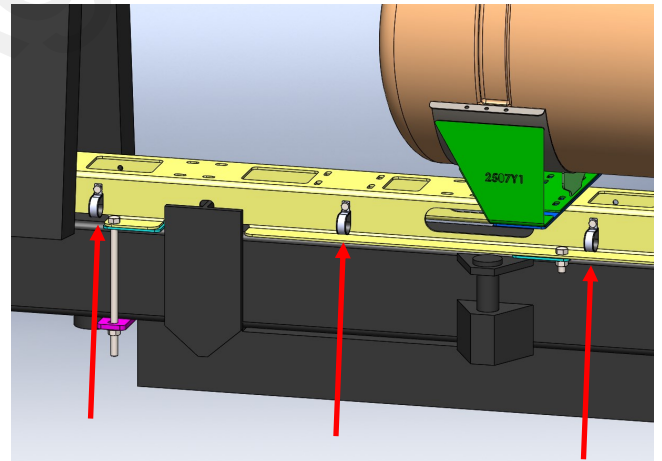
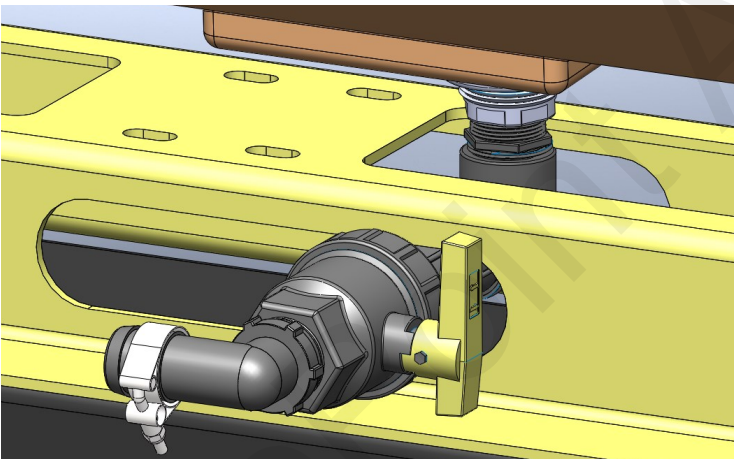
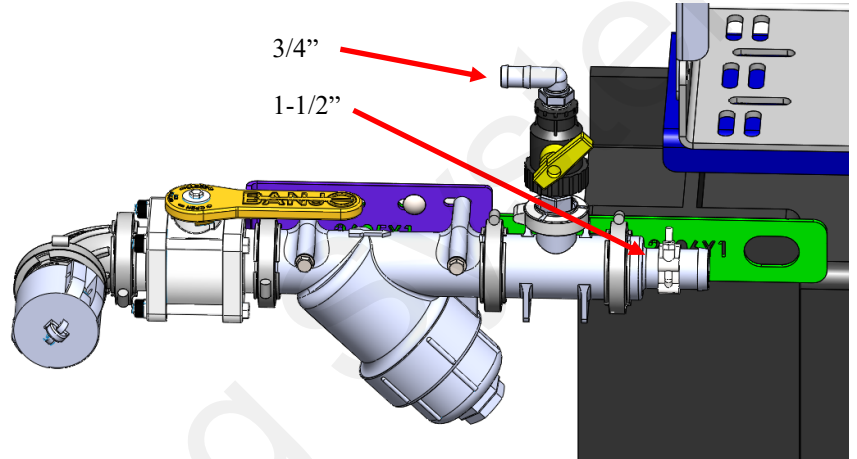
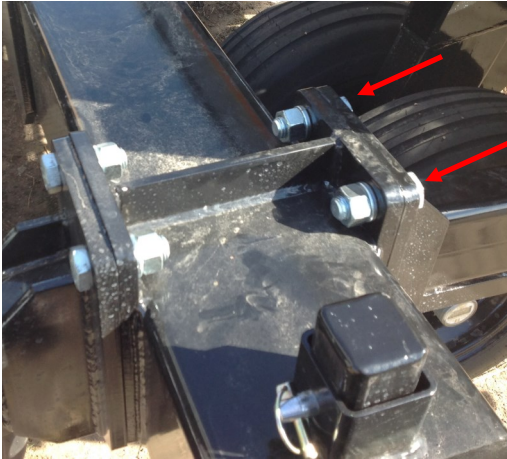
ITEM NO.	PART NUMBER	DESCRIPTION	QTY.
1	350-TC181	T-Bolt Hose Clamp - Fits 1 1/2" Enforcer or AG200	1
2	101-125150-90	1-1/4"MPT X 1-1/2"Hse Shnk-90D	1
3	102-125SUBV-H	1-1/4" Single Union Poly Valve	1
4	100-125NIP-6	Banjo 1-1/4" x 6" long Nipple	1
5	100-125EL-90	1-1/4" Pipe Elbow - 90 Degree	1
6	100-125NIP-SH	1-1/4" Short Nipple	1
7	100-075PLUG	3/4" Pipe Plug	1
8	100-125PLUG	1-1/4" Pipe Plug	1





Step by Step Instructions and Optional Related Equipment

1. Assemble strainer assembly as shown, referencing page 2 as necessary. The slots in bracket 451-2606Y1 fit the bolts indicated below left.
2. The 3/4" hose barb elbow feeds the supply to the Tower. The 1-1/2" hose barb feeds back to the tank. (Below Right)



3. Plumbing for under the tanks is assembled as shown above left. Reference Bill of Materials on page 3 as necessary. Begin by threading plug into bung that will not be used. Thread short- or 4" long pipe nipple into the rear tank bung. Clamp 1-1/2" hose along frame using vinyl clamps and 1/2" bolts for support.

Related Items/Kits:

Tower 110

Tank Kit 551-02-100400 (Instruction Sheet 396-001820)