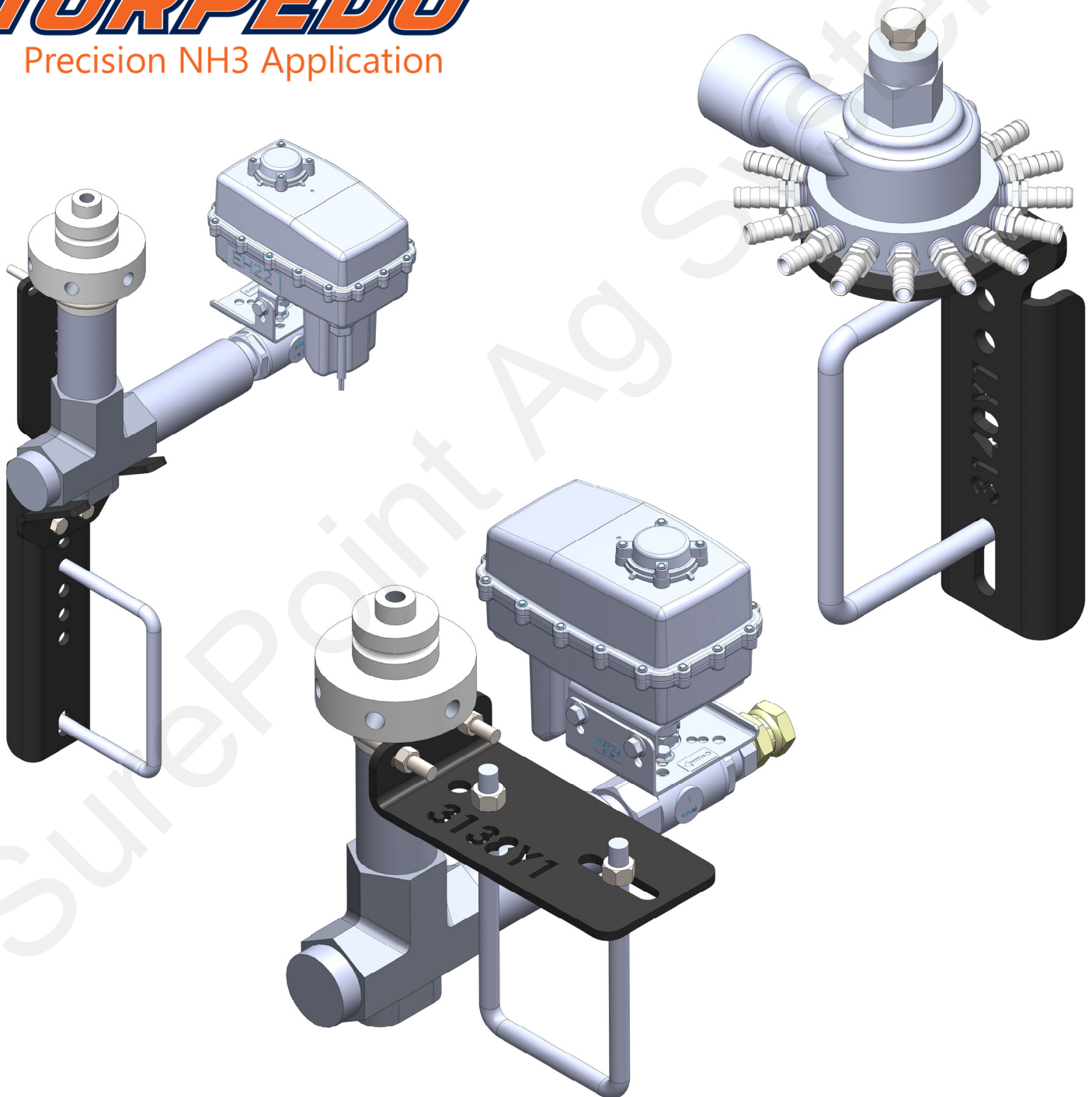




396-3181Y1

NH3 Manifold/Splitter Mounting Bracket Instructions



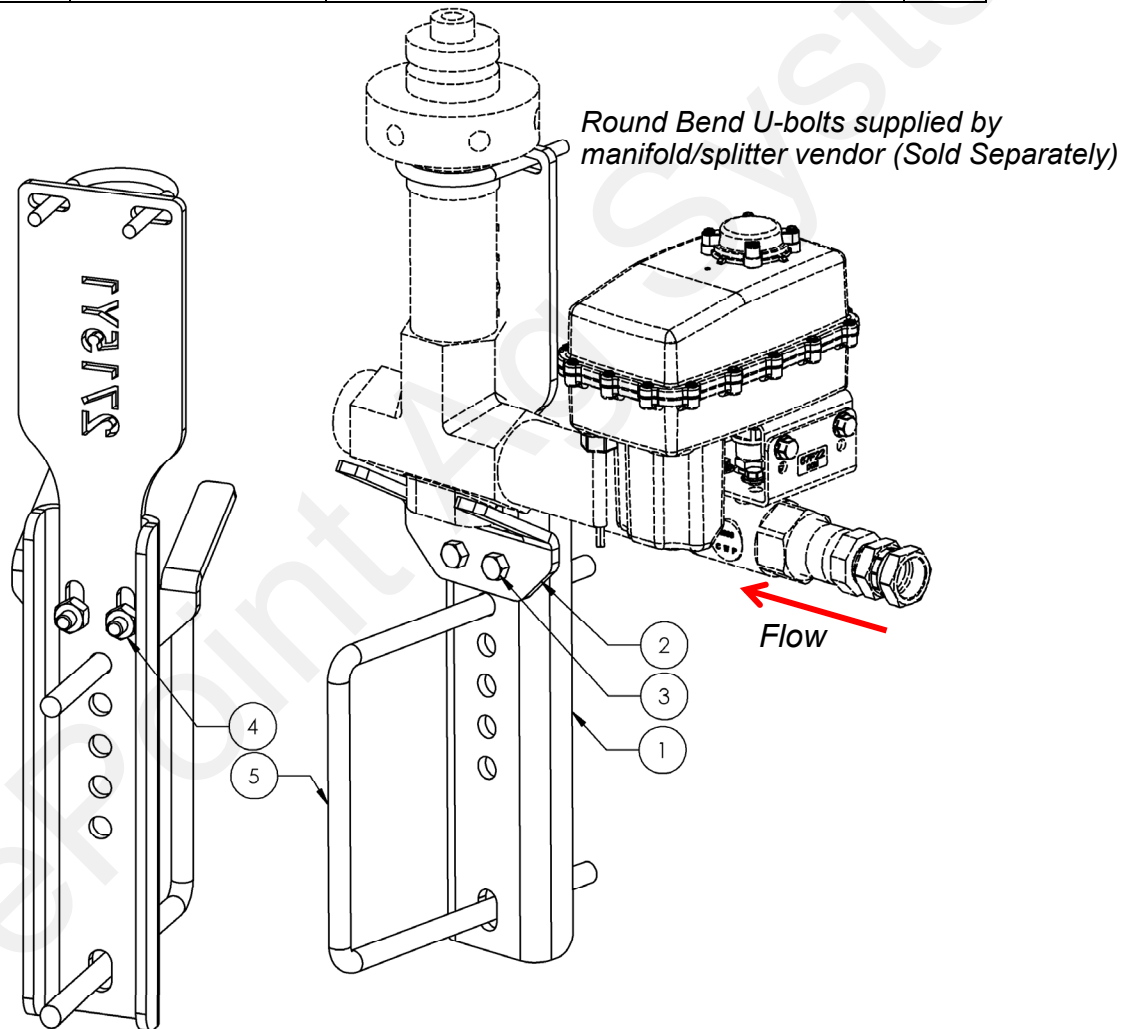


Parts List and Exploded View

Kit Number: 159-11-100500

Kit Description: A-360 Splitter & Manifold Bracket Kit for Above Bar Mounting

ITEM NO.	PART NUMBER	DESCRIPTION	QTY.
1	462-2715Y1-BK	A-360 Manifold Bracket	1
2	462-2717Y1-BK	Fork Bracket for use with 462-2715Y1-BK	1
3	300-060104-5	3/8" x 1-1/4" Hex Head Bolt - G5	2
4	323-06	3/8" Flange Nut	2
5	380-XXXX	Square Bend U-Bolt Kit	1



1. Mount manifold bracket to applicator toolbar using square bend u-bolt kit provided. *Note: U-bolt size may vary based on implement frame size.*
2. Attach NH3 manifold using round bend u-bolt provided with manifold/splitter. *Note: Manifold can be mounted with a left or right inlet configuration. Refer to page 5 for instructions on switching valve flow direction.*
3. Position fork bracket under NH3 manifold as shown and fasten using two (2) 3/8" x 1-1/4" hex head bolts and flange nuts.

Refer to SurePoint NH3 manual for further details and safety warnings.

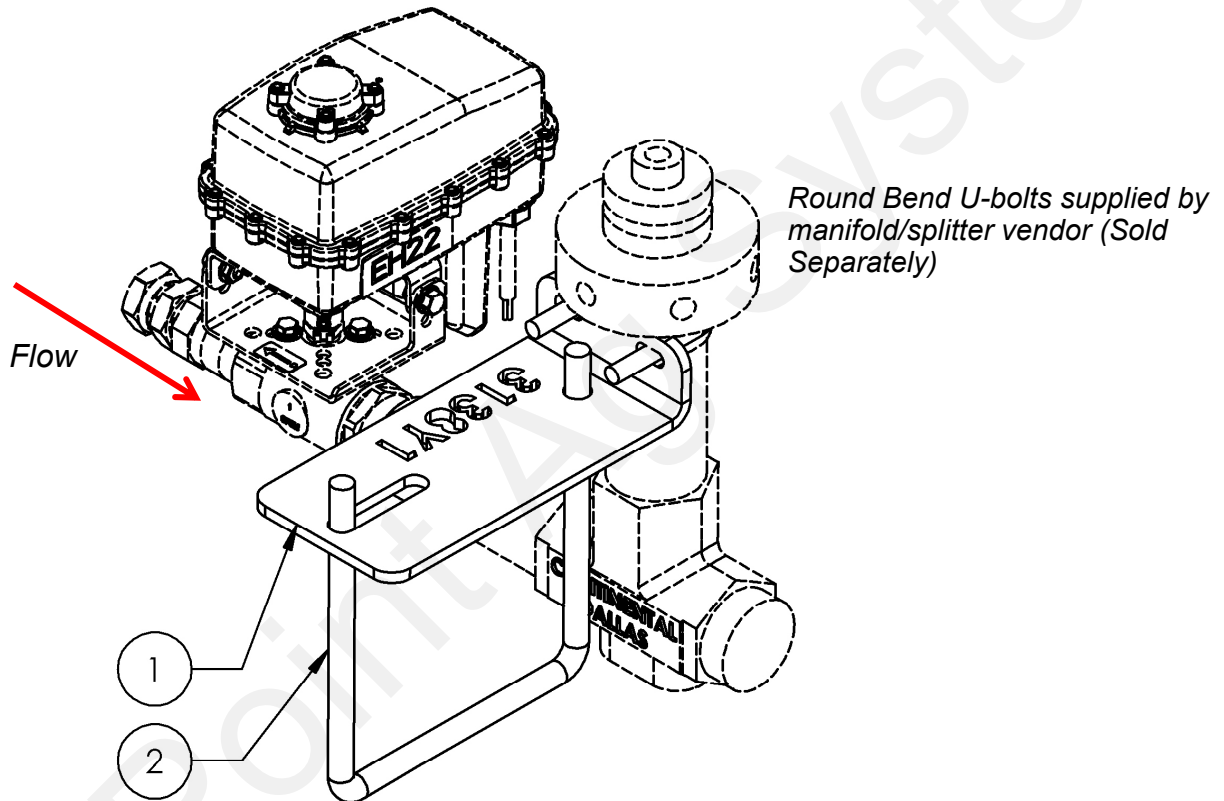


Parts List and Exploded View

Kit Number: 159-11-100510

Kit Description: A-360 Splitter & Manifold Bracket Kit for Front of Toolbar (4x6 or 6x6 Bar)

ITEM NO.	PART NUMBER	DESCRIPTION	QTY.
1	462-3138Y1-BK	Low Profile Support Bracket for A360 Series Manifold/Splitter - Fits 4"-6" Toolbar	1
2	380-XXXX	Square Bend U-Bolt Kit	1



General Instructions:

1. Mount manifold bracket to applicator toolbar using square bend u-bolt kit provided.
Note: U-bolt size may vary based on implement frame size.
2. Attach NH3 manifold using round bend u-bolt provided with manifold. Note: Manifold can be mounted with a left or right inlet configuration. Refer to page 5 for instructions on switching valve flow direction.

Refer to SurePoint NH3 manual for further details and safety warnings.

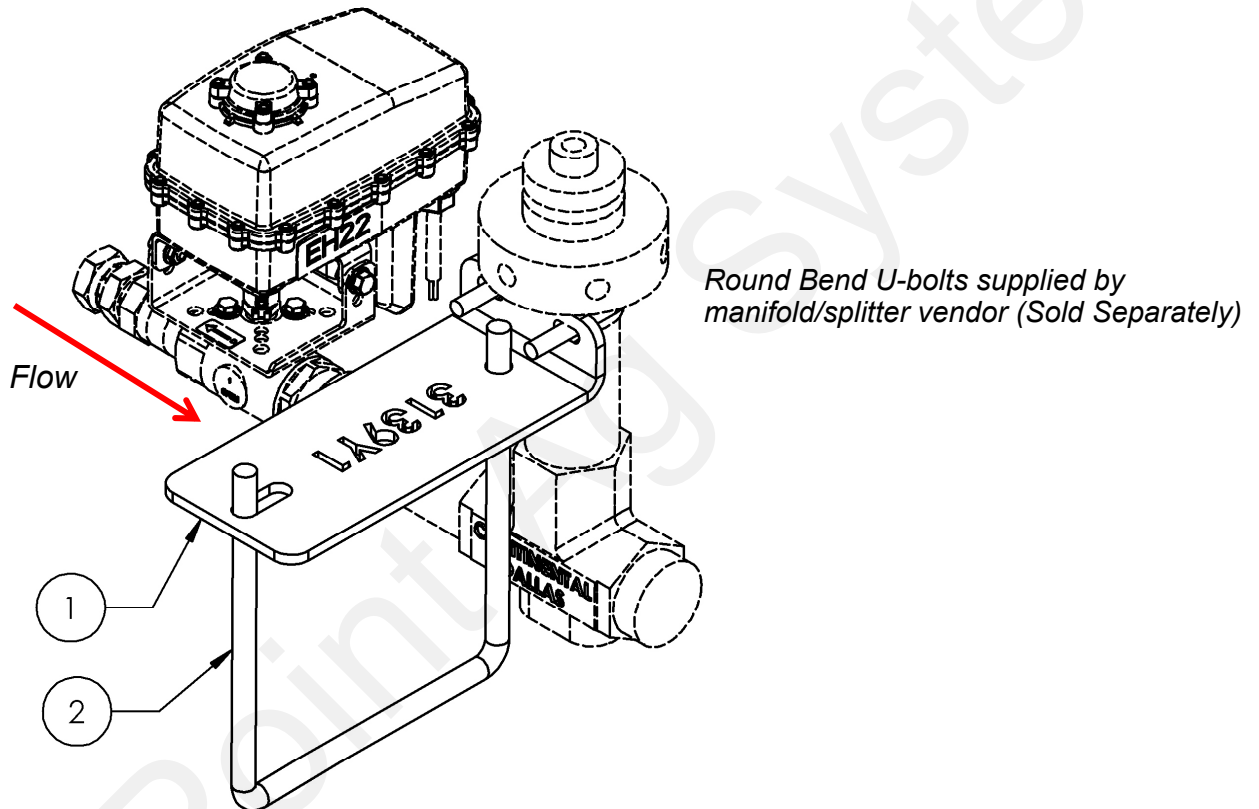


Parts List and Exploded View

Kit Number: 159-11-100520

Kit Description: A-360 Splitter & Manifold Bracket Kit for Front of Toolbar (7x7 Bar)

ITEM NO.	PART NUMBER	DESCRIPTION	QTY.
1	462-3139Y1-BK	Low Profile Support Bracket for A360 Series Manifold/Splitter - Fits 6"-7" Toolbar	1
2	380-XXXX	Square Bend U-Bolt Kit	1



General Instructions:

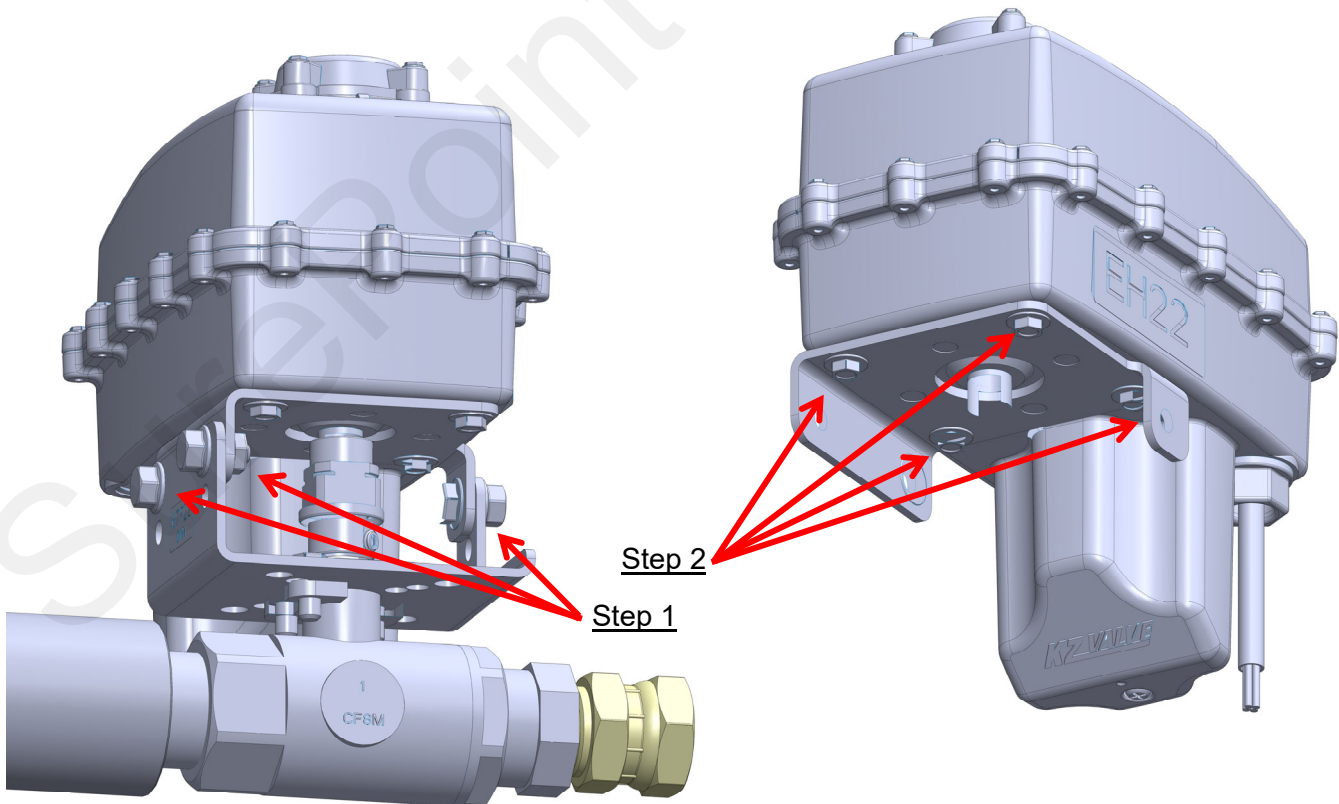
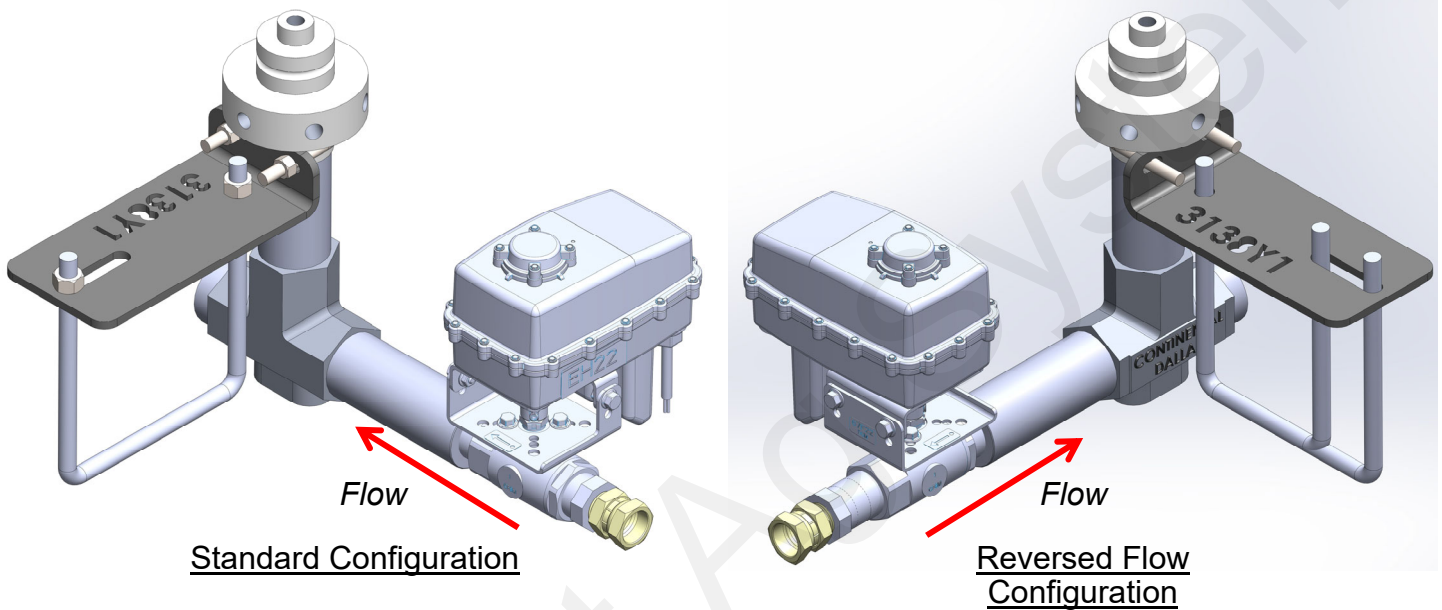
1. Mount manifold bracket to applicator toolbar using square bend u-bolt kit provided.
Note: U-bolt size may vary based on implement frame size.
2. Attach NH3 manifold using round bend u-bolt provided with manifold. Note: Manifold can be mounted with a left or right inlet configuration. Refer to page 5 for instructions on switching valve flow direction.

Refer to SurePoint NH3 manual for further details and safety warnings.

Step by Step Instructions Valve Configuration

It may be necessary to rotate the valve actuator 180° as shown below in order to install the manifold and valve against the toolbar.

1. Remove three side bolts from metal valve brackets.
2. Remove four hex cap bolts from valve and rotate metal bracket 180°, re-install bolts with O-rings in place.
3. Fit valve actuator back into the valve and re-install three side bolts.



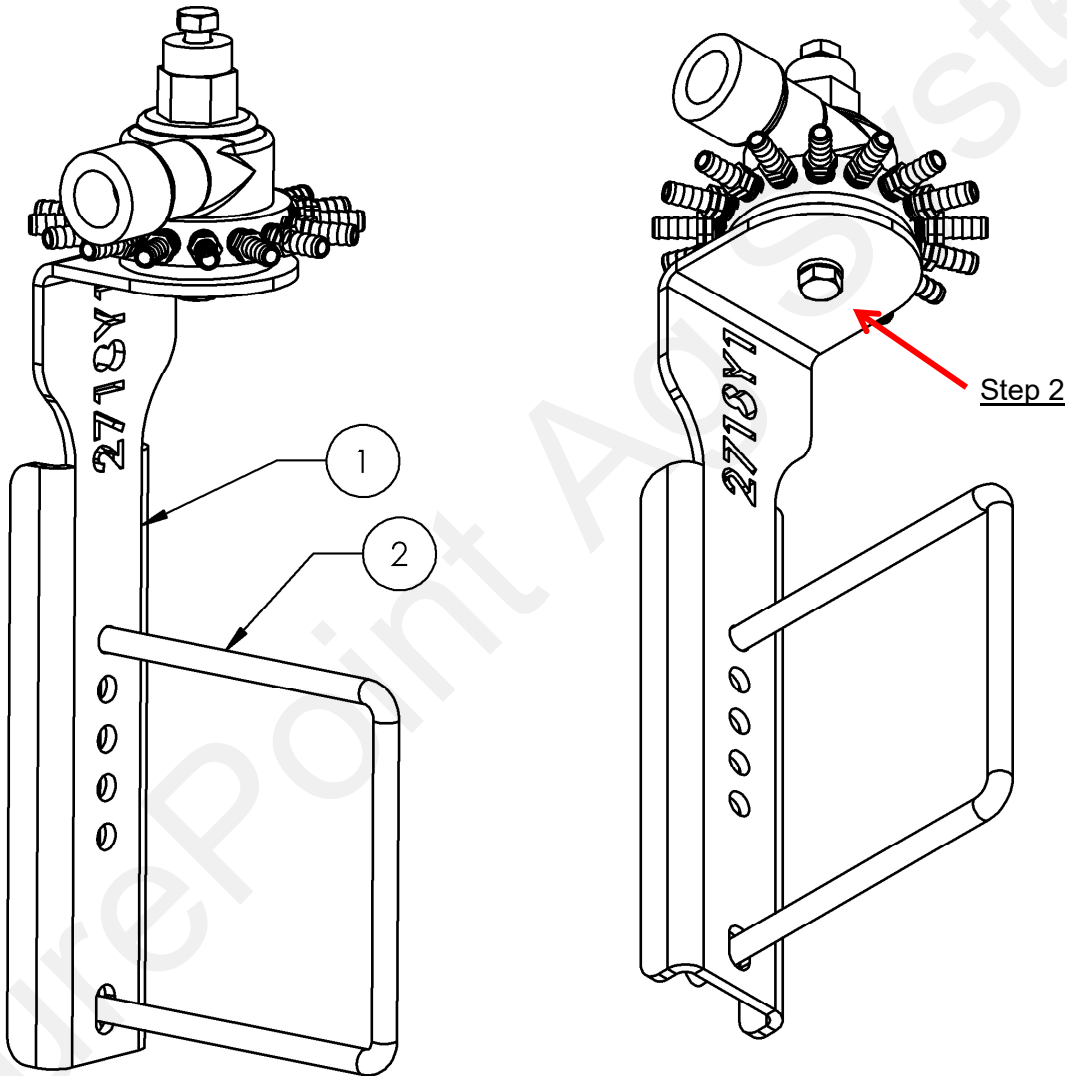


Parts List and Exploded View

Kit Number: 159-11-200500

Kit Description: Vertical Dam manifold bracket kit

ITEM NO.	PART NUMBER	DESCRIPTION	QTY.
1	462-2718Y1-BK	MVD manifold bracket	1
2	380-XXXX	Square Bend U-Bolt Kit	1



General Instructions:

1. Mount vertical dam manifold bracket to applicator toolbar using square bend u-bolt kit provided.
Note: U-bolt size may vary based on implement frame size.
2. Use bolt provided with vertical dam manifold to attach to bracket and wrench tighten.

Refer to SurePoint NH3 manual for further details and safety warnings.

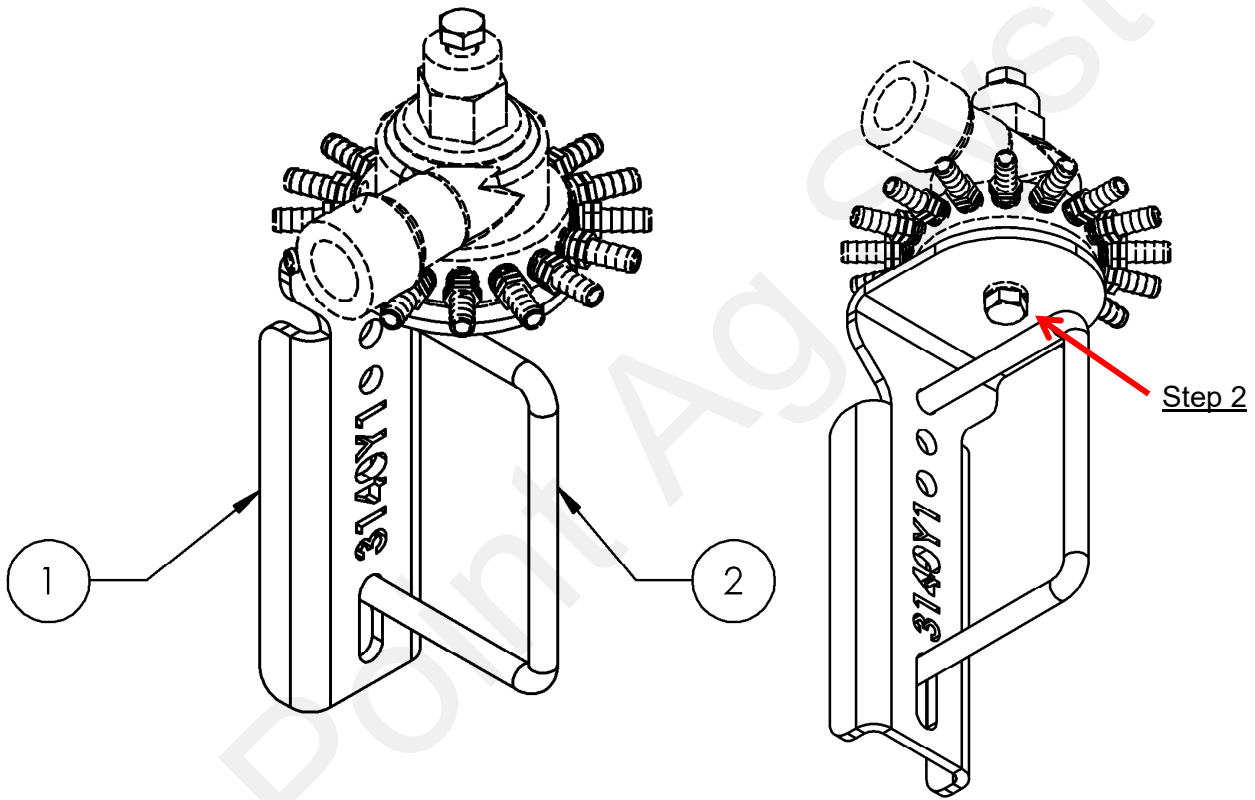


Parts List and Exploded View

Kit Number: 159-11-200510

Kit Description: Vertical Dam Manifold Low Profile Bracket Kit (6x4, 6x6, or 7x7 Bar)

ITEM NO.	PART NUMBER	DESCRIPTION	QTY.
1	462-3140Y1-BK	Low Profile Support Bracket for A360 Series Manifold/Splitter - Fits 6"-7" Toolbar	1
2	380-XXXX	Square Bend U-Bolt Kit	1



General Instructions:

1. Mount vertical dam manifold bracket to applicator toolbar using square bend u-bolt kit provided.
Note: U-bolt size may vary based on implement frame size.
2. Use bolt provided with vertical dam manifold to attach to bracket and wrench tighten.

Refer to SurePoint NH3 manual for further details and safety warnings.