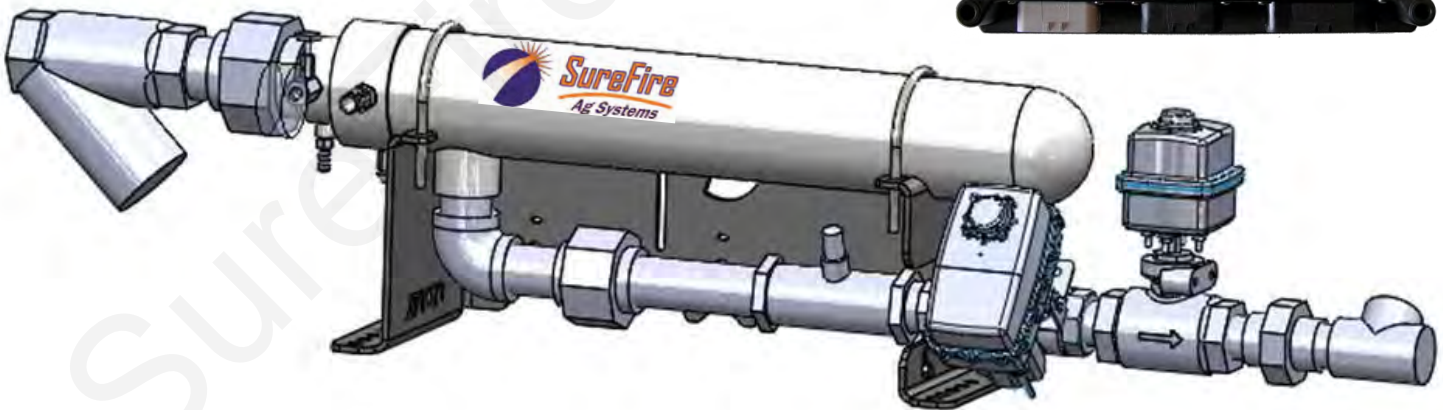


396-3822Y1



NH₃

Precision Anhydrous Ammonia Application
for Raven RCM



SureFire
Ag Systems

NOTICE

Operator should read this manual before operating the system.



Table of Contents

Section A—Introduction	2
Anhydrous Ammonia (NH ₃) Safety Precautions.....	2-5
Maintenance Tips	6
Things to Know About Anhydrous Ammonia.....	7
Anhydrous Ammonia Application Overview	8
Section B—Components—Liquid and Vapor	9
Sizing System Components-Torpedo Model 100, 200, or 300.....	10
NH ₃ Temperature / Pressure Graph.....	10
System Overview with 4 Electric Section Valves-Model 100 or 200	11-12
System Overview with Torpedo Model 300.....	13
Installation and Setup Instruction Tags	14
NH ₃ Tank Diagram	15
Tank Valves	16
Globe Valve Assemblies	17
Breakaway Disconnect	18
Torpedo SuperFlow Assembly, Maintenance, Repair, and Service.....	19-25
Splitters and Manifolds.....	26-33
Dump Hose Barbs and Variable Dump Orifice.....	34
Flowmeter	36-37
Electric Section Valves and Splitter Kits	38-41
Gauge Tree Assembly	42
Section D—Components—Display Setup & Wiring.....	43
RCM Controller Setup	43-49
Wiring Harness Layouts.....	49-50
Wiring Harness Diagrams	51-54

For additional parts drawings or product manuals, go to continentalnh3.com/product-manuals.html.

The components of your system may vary from the components shown in this manual due to different configurations and locations of valves, splitters, manifolds, and other components. Various configurations are shown in this manual, but not every situation can be covered here.

It is the responsibility of the owner/operator to assure that all necessary components are installed correctly and continue to remain in a safe operating condition.

All personnel operating or working around an anhydrous ammonia system must be thoroughly trained in safe anhydrous ammonia procedures.

Operators of anhydrous ammonia systems should always carry on their person an emergency squeeze bottle of fresh water. There should always be five gallons of clean water available on the nurse tank for immediate flushing in the event of an accidental exposure.

© 2015-2021 SureFire Ag Systems-All Rights Reserved





Safety

A

TAKE NOTE! THIS SAFETY ALERT SYMBOL FOUND THROUGHOUT THIS MANUAL IS USED TO CALL YOUR ATTENTION TO INSTRUCTIONS INVOLVING YOUR PERSONAL SAFETY AND THE SAFETY OF OTHERS. FAILURE TO FOLLOW THESE INSTRUCTIONS CAN RESULT IN INJURY OR DEATH.



**THIS SYMBOL MEANS
ATTENTION!
BECOME ALERT!
YOUR SAFETY IS INVOLVED!**

Note the use of the signal words **DANGER**, **WARNING** and **CAUTION** with the safety messages. The appropriate signal word for each has been selected using the following guidelines:



DANGER: Indicates an imminently hazardous situation that, if not avoided, will result in death or serious injury. This signal word is to be limited to the most extreme situations typically for machine components which, for functional purposes, cannot be guarded.



WARNING: Indicates a potentially hazardous situation that, if not avoided, could result in death or serious injury, and includes hazards that are exposed when guards are removed. It may also be used to alert against unsafe practices.



CAUTION: Indicates a potentially hazardous situation that, if not avoided, may result in minor or moderate injury. It may also be used to alert against unsafe practices.

NOTICE is used to address safety practices not related to personal safety.





ATTENTION: Please follow all of the instructions in this manual carefully and read the entire manual completely. Failure to do so may cause the product to function improperly or fail causing serious injury or death.



DANGER

DANGER

ANHYDROUS AMMONIA IS AN INHALATION HAZARD AND WILL CAUSE SERIOUS INJURY OR DEATH. PLEASE USE EXTREME CAUTION WHEN HANDLING IT OR PERFORMING ANY MAINTENANCE ON EQUIPMENT USED FOR ANHYDROUS AMMONIA.

ATTENTION: Before performing any installation, repair or maintenance please follow the instructions below.

1. You must be trained and certified to work with anhydrous ammonia. If you are not, please seek out the appropriate agricultural department to attend a class to obtain the proper training and certification.
2. Wear appropriate safety goggles, gloves and breathing apparatuses.
3. Always know which way the wind is blowing.
4. Drain all tanks, hoses and piping of anhydrous ammonia COMPLETELY before removing, installing, performing maintenance or repairing any equipment.
5. Always remove device from service before performing any maintenance or repair.
6. Have sufficient water nearby.
7. Obey all local, state and federal laws regarding the handling of anhydrous ammonia.



Anhydrous Ammonia Safety

Anhydrous ammonia is an important source of nitrogen fertilizer for crops. The improper handling of anhydrous ammonia can have catastrophic results on both plants and farm workers. Common injuries are severe burns to eyes, skin and the respiratory tract.

- Personal protective equipment (PPE) should always be worn. Standard PPE should be non-vented goggles, rubber gloves with thermal lining, face shield or an approved respirator. Wear a lightweight rubber suit, or (at the very least) a long sleeve shirt and coveralls.
- Make sure anhydrous ammonia tanks are not filled beyond the recommended capacity.
- Use care when handling the hose end valve so that it does not open accidentally. Do not move the hose by handling valve handle.
- Be sure to bleed the hose coupling before disconnecting. Use care when cleaning plugged knives as anhydrous ammonia could be built up behind the plug.
- Use emergency water supply for at least 15 minutes if exposed to anhydrous ammonia and then seek emergency medical attention.
- Always have a small squeeze bottle of fresh water at all times.
- Never assume NH₃ lines are empty, including the lines connected to the Torpedo.
- Make sure the system is completely drained of NH₃. It can hide in low areas of the system. Look for frost on the hose or equipment. That usually means there is NH₃ there.
- Always use high pressure hose when ammonia can be trapped in that segment, such as between the tank and the Torpedo.
- Any place that has a high pressure hose should also have a hydrostatic relief valve and a bleed valve.
- Always handle valves by the body and by the wheel or latch.
- Always make sure you are upwind of potential NH₃ release points.
- When you park, position NH₃ equipment downwind from dwellings, people, and livestock.
- Close the valve on the tank when you stop.
- The first treatment for anhydrous ammonia exposure is WATER.

NH₃ is a very dangerous product. It can kill you or blind you or worse. If you have not taken an approved NH₃ Safety class, do not work around NH₃. If you have had the course, follow ALL safety precautions ALL the time.

BE CAREFUL !

NOTICE

Before you start applying NH₃—

- Know the wind direction.
- Are the hoses in good condition?
- Has the expiration date been passed on any hose or other dated component?
- Are all fittings clean and free from rust?
- Do low-pressure tubes have any leaks?
- Are any knives plugged?
- Is the tank secure with a locking hitch pin?
- Is the pressure relief valve operating correctly?
- Does the tank have five gallons of fresh water?
- Is PPE available and being worn (goggles, gloves, long-sleeve shirt) ?

Before performing maintenance on the toolbar or equipment—

- Put on gloves and goggles
- Make sure you have emergency water
- Check wind direction and stay upwind
- Park away from buildings, livestock, and people
- Before servicing, close the valve on the NH₃ tank and continue application to bleed the system.
- Be sure the tank valve is closed. Turn the Master valve on and leave it on during bleeding.
- Disconnect the nurse tank supply hoses.
- Open all bleeder valves on cooler and rest of system.
- Check any hoses that have a low loop in them
- Even after bleeding the system, slowly and cautiously loosen any fittings to be sure there is no ammonia trapped inside.

Regular Maintenance—

- Check unit regularly for leaks and wear
- Clean the unit and, if possible, store inside out of the weather
- If the unit is leaking from a weld seam, remove from service and send in for repair
- If leaking from a threaded connection, try tightening the connection with a wrench
- If leaking from the dump knives when not applying, install a repair kit on the Torpedo to replace the internal O-rings. Also, may need to install a repair kit on the Master shutoff valve (O-rings and seals).

Torpedo Maintenance

- Close the valve on the nurse tank
- Open all valves to drain the system of ammonia
- Open all bleeder valves and drain flush valve on the Torpedo



Things to Know About Anhydrous Ammonia (NH₃)

Anhydrous ammonia is a colorless non-flammable liquefied gas. Its vapor is lighter than air and has the same pungent odor as household ammonia. Although ammonia vapor is lighter than air, the vapors from a leak may hug the ground appearing as a white cloud. Chemically, ammonia is 82% nitrogen (N) and 18% hydrogen (H) and has the chemical formula NH₃. Ammonia by weight is 14 parts nitrogen to 3 parts hydrogen, or approximately *82% nitrogen and 18% hydrogen*.

The definition of *anhydrous* is *without water*. Whereas household ammonia is 95% water, anhydrous ammonia has no water. Ammonia is so hygroscopic (water loving) that one cubic foot of water will dissolve 1300 cubic feet of ammonia vapor making water the primary weapon for first responders.

Ammonia weighs 5.15 pounds per gallon in contrast to water which weighs 8.33 pounds per gallon. Since ammonia is so soluble in water there will be no layering effect when liquid ammonia is spilled into a surface water body. Booms, pads, sweeps and pillows that are usually used to contain and recover petroleum are ineffective on spills of ammonia into surface water.

Ammonia is a non-flammable gas but will ignite at a temperature of 1204°F within vapor concentration limits between 15% and 28%. (Paper ignites at 450°F, coal at 750°F.) Outside conditions that would support these vapor concentrations are very rare.

Ammonia will corrode galvanized metals, cast iron, copper, brass, or copper alloys. All ammonia piping, valves, tanks and fittings are constructed of steel.

Liquid ammonia boils at any temperature greater than -28°F and will expand to 850 times its liquid volume. One gallon of liquid will expand to 850 gallons or 113 cubic feet of gas.

Ammonia Fast Facts

NH₃ Vapor

Ammonia appears in nature as a natural substance that results from decomposition.

Ammonia vapor is a colorless gas with a pungent odor.

Ammonia exists as a vapor at atmospheric conditions.

Ammonia vapor is lighter than air and tends to rise when released to atmosphere.

NH₃ Liquid

Liquid ammonia released to atmosphere forms a white smoke by freezing the moisture in the air.

Liquid ammonia has a very high coefficient of expansion with temperature.

One gallon of liquid ammonia weighs approximately 5.15 lbs.; however the weight varies with temperature.

When liquid ammonia reaches a temperature between its melting and critical points, it exerts a vapor pressure that increases with temperature.

A closed container of liquid ammonia is in equilibrium with ammonia vapor and the container pressure bears a definite relationship to the temperature.

Physical Data

Boiling point is -28°F.

Ignition point is 1,204°F.



Storage and Handling

Ammonia is stored and transported as a liquid under pressure.

The pressure on the tank is the liquid pressure and remains the same whether the tank is 10% full or 80% full. This pressure is dependent on the temperature of the NH₃.

The maximum filling level of an anhydrous ammonia tank is 85%.

Flammability

Anhydrous ammonia is classified by the DOT as a non-flammable gas.

Ammonia vapor is flammable over a narrow range of 15% to 28% by volume in air and a strong ignition source must be present.

Anhydrous Ammonia Application

Precision application of anhydrous ammonia starts with a proper metering system. It is crucial to be sure the metering and control system is applying what is required.

Accurate metering of anhydrous ammonia is difficult to achieve with a conventional variable orifice meter. Anhydrous ammonia is stored and transported as a liquid. To maintain NH₃ as a liquid it must be kept below -28°F or maintained under pressure. If the temperature of the NH₃ increases above -28°F some of the liquid changes to a gas as the NH₃ begins to boil. Application equipment typically uses tank pressure to deliver NH₃ to the soil. An increase in tank pressure would tend to force more NH₃ through the distribution lines. The actual pounds of NH₃ being applied decreases or increases as tank pressure fluctuates unless continuous adjustments are made to the meter.

If NH₃ is released into the atmosphere it will expand rapidly to occupy a volume 850 times greater than the original liquid. NH₃ readily changes from liquid to gas in the nurse tank and distribution system. Consequently the ratio of NH₃ gas to liquid continually changes as it passes through the distribution lines. About 1% of the liquid will vaporize during the ammonia flow from the tank dip tube to the metering point. 1% liquid when expanded to vapor at 100 lb tank pressure will occupy approximately 25% to 30% of the delivery chamber. At 50 lb tank pressure this increases to over 60% of the delivery chamber occupied by vapor. This makes metering and distributing NH₃ very difficult to do consistently and accurately.

Automatic NH₃ controls utilizing the **SureFire Torpedo™ NH₃ System** eliminate the problems found in conventional systems. The first step to accuracy is **eliminating errors caused by vapor** in the system. The second step is **compensating for ground speed and tank pressure fluctuations**. The SureFire Torpedo™ system uses a **heat exchanger to convert the NH₃ to 100% liquid for precise metering**. *With the heat exchanger delivering 100% liquid to the flowmeter, the precise amount needed is metered and delivered.* The controller and control valve will **adjust for ground speed changes** to eliminate misapplications that are common in conventional meter systems. This eliminates guessing and manually adjusting for different tank pressures or rates.

For high volume application, wide implements, fast speeds and cold temperatures the *delivery component pieces are critical for delivering the flow needed*. A flow that can be delivered at 90° may not be achievable when the temperature drops to 40° if the system components are not designed and sized correctly. These pieces include: **Tank withdrawal valve, NH₃ delivery hose and breakaway coupler, and heat exchanger with adequate capacity**. The components of a SureFire system are designed to deliver the flow you need.



After this precise metering the *challenge of row distribution* still awaits. The proper **manifold system** is important for row to row accuracy. The manifold can also be a cause of flow restrictions in high flow applications. The SureFire Torpedo system uses the best in class Continental 360 series manifolds or the Continental Vertical Dam Manifold series.

Setting Up Your System

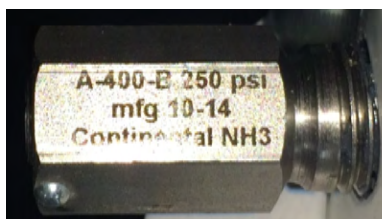
The following pages show some of the calculations needed to determine the specific components of your SureFire Torpedo™ NH₃ system.

First, the **width, rate, and speed** will be used to determine the amount of NH₃ your system will need to deliver. With this information, the **tank withdrawal valves, NH₃ hose(s), and Torpedo™ heat exchanger** can be selected.

Next, the distribution system will be set up. This takes into account the **row spacing, number of rows, amount of NH₃ per row, and how many sections** there will be. With this information, the **splitter, manifolds, section valves, and hoses** can be selected.

The Smaller Pieces

There are other smaller pieces that are, nonetheless, very important. One of these components is the **hydrostat relief valve**. These are located in segments of the system that may experience a build-up of pressure from NH₃ left in the line.



153-A-400-B 1/4" Hydrostat Relief Valve—250 PSI —
(Keep the dust cap on)
Used in various segments of the system
as a safety relief valve.



End view

The Hydrostat relief valve has a Manufactured Date (mfg). Replace 5 years after manufacture.

Bleeder valves are located throughout the system. The operator should be familiar with all the locations and make certain that all parts of a segment are bled off before working on the system.

Some components of your system may have separate Instruction Sheets, Installation Information, or Safety Information. Read all such product literature before installing or operating the system and retain the information for future reference.

Your SureFire Torpedo™ NH₃ system is designed to provide safe, reliable, dependable, and accurate distribution of NH₃. It requires the operator to exercise due diligence in setting up, operating, and maintaining all system components to continue operating safely.

Remember:

BE CAREFUL WITH THIS STUFF!

Sizing System components

The following table shows the flow and application rates that are attainable with each SureFire Torpedo™ model.

SureFire Torpedo™ Model # 100, 200 or 300 Kit

Model #	34 degrees F (50 PSI)		Max App Rate Lbs N / acre		60 degrees F (93 PSI)		Max App Rate Lbs N / acre	
	GPM	Lbs NH ₃ per hour	40' at 8 MPH	60' at 8 MPH	GPM	Lbs NH ₃ per hour	40' at 8 MPH	60' at 8 MPH
100	23	7100	150	100	28	8650	185	120
200	35	10800	230	150	43	13500	285	190
300	50	15450	330	220	64	20000	427	285

Calculating NH₃ Flow

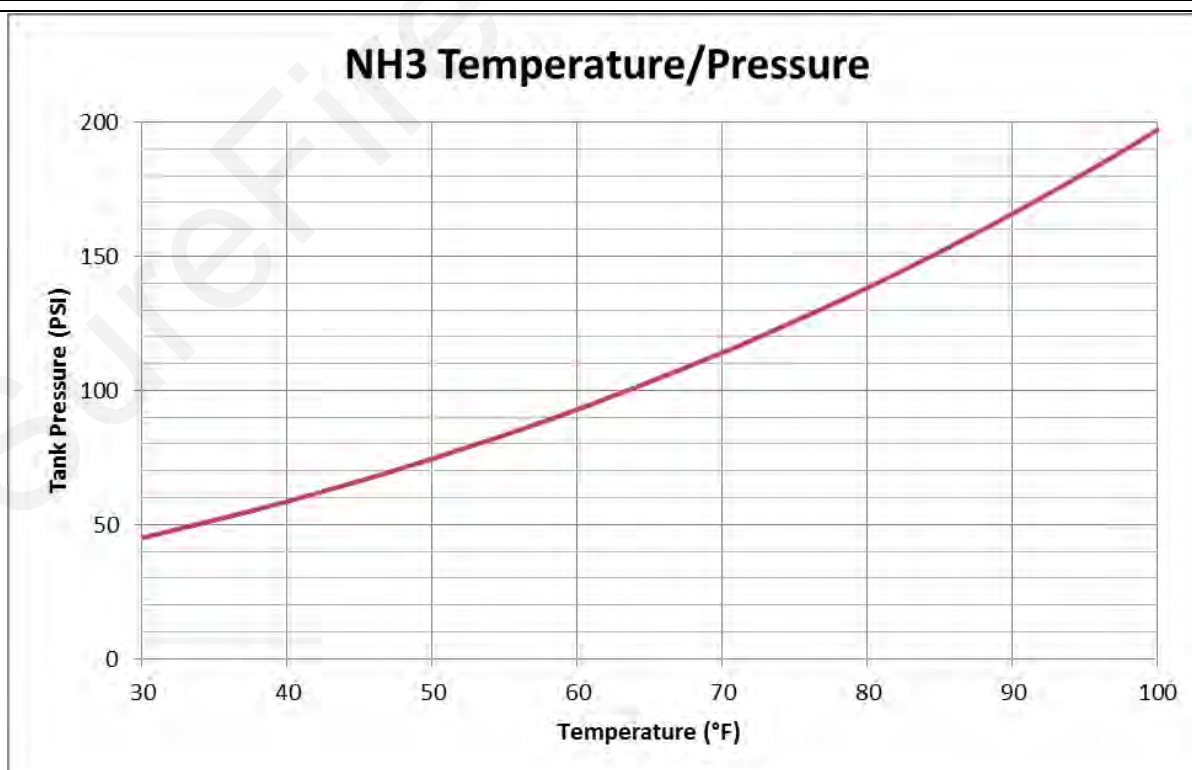
Do the following calculation to determine the proper Torpedo Model for your application:

$$\text{Rate (lbs of N) per acre} \times \text{Speed} \times \text{Width (feet)} \times 0.1212 / 0.82 = \text{NH}_3 \text{ Lbs / hr}$$

$$\text{NH}_3 \text{ lbs/hr} / 60 \text{ min/hr} / 5.15 \text{ lbs/gal} = \text{GPM (NH}_3\text{)}$$

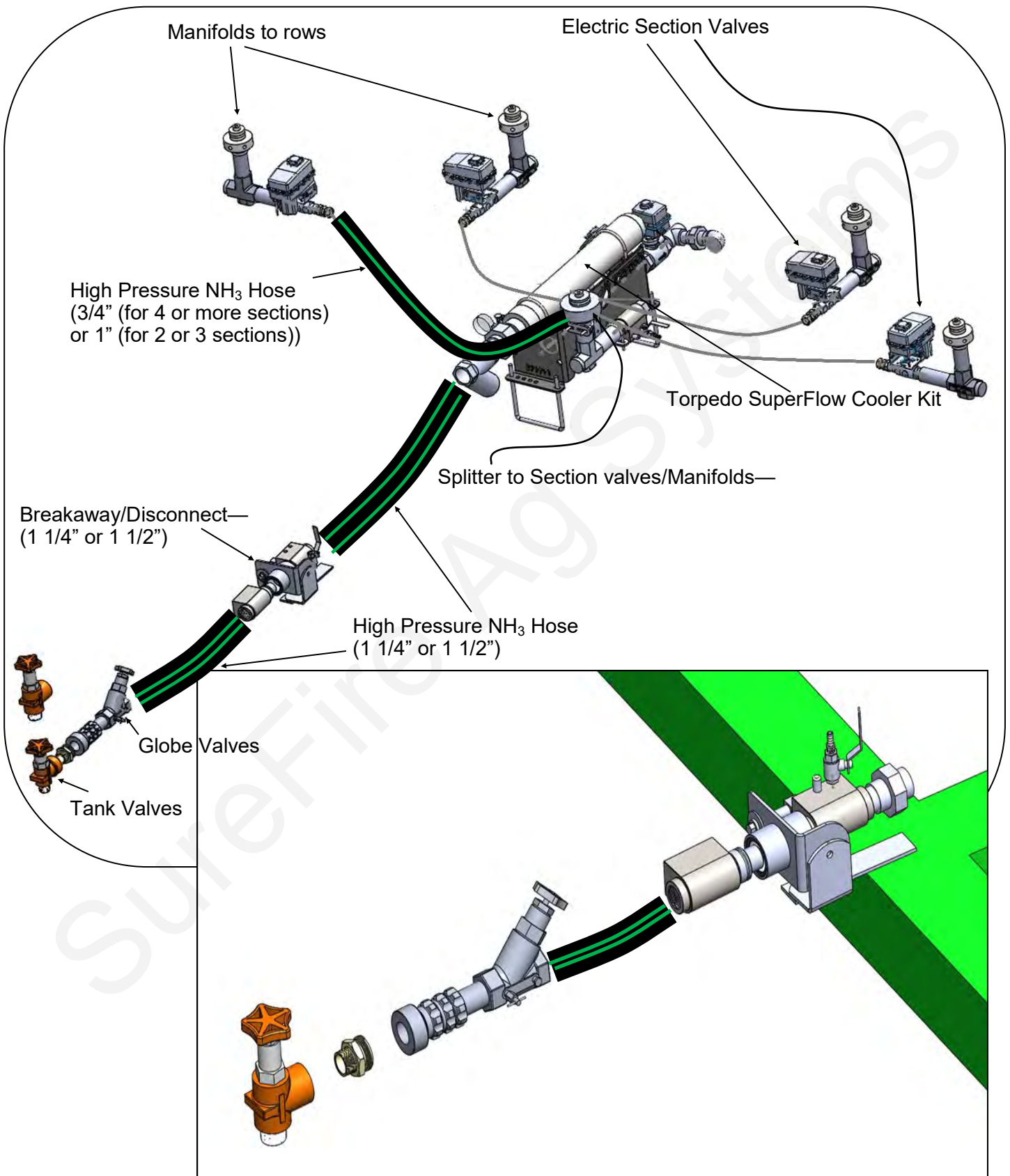
$$\text{Lbs of NH}_3 \times 0.82 = \text{Lbs of N}$$

$$\text{Lbs of NH}_3 = \text{Lbs of N} / 0.82$$



System Overview with 4 electric Section Valves

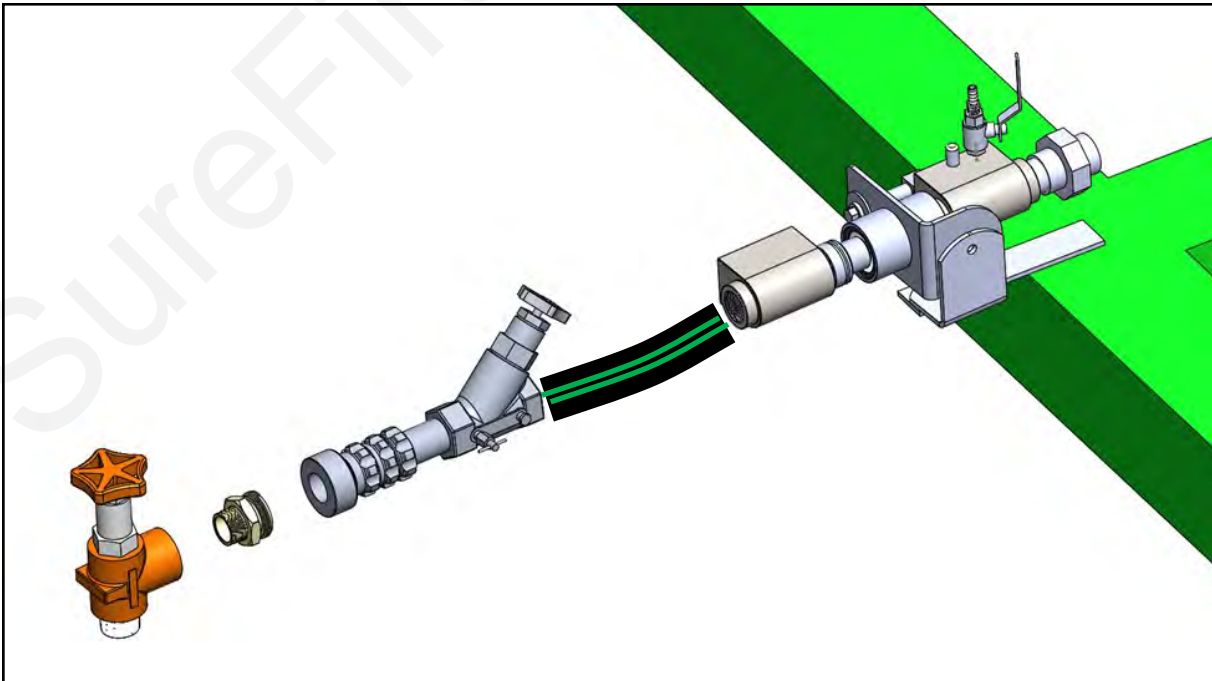
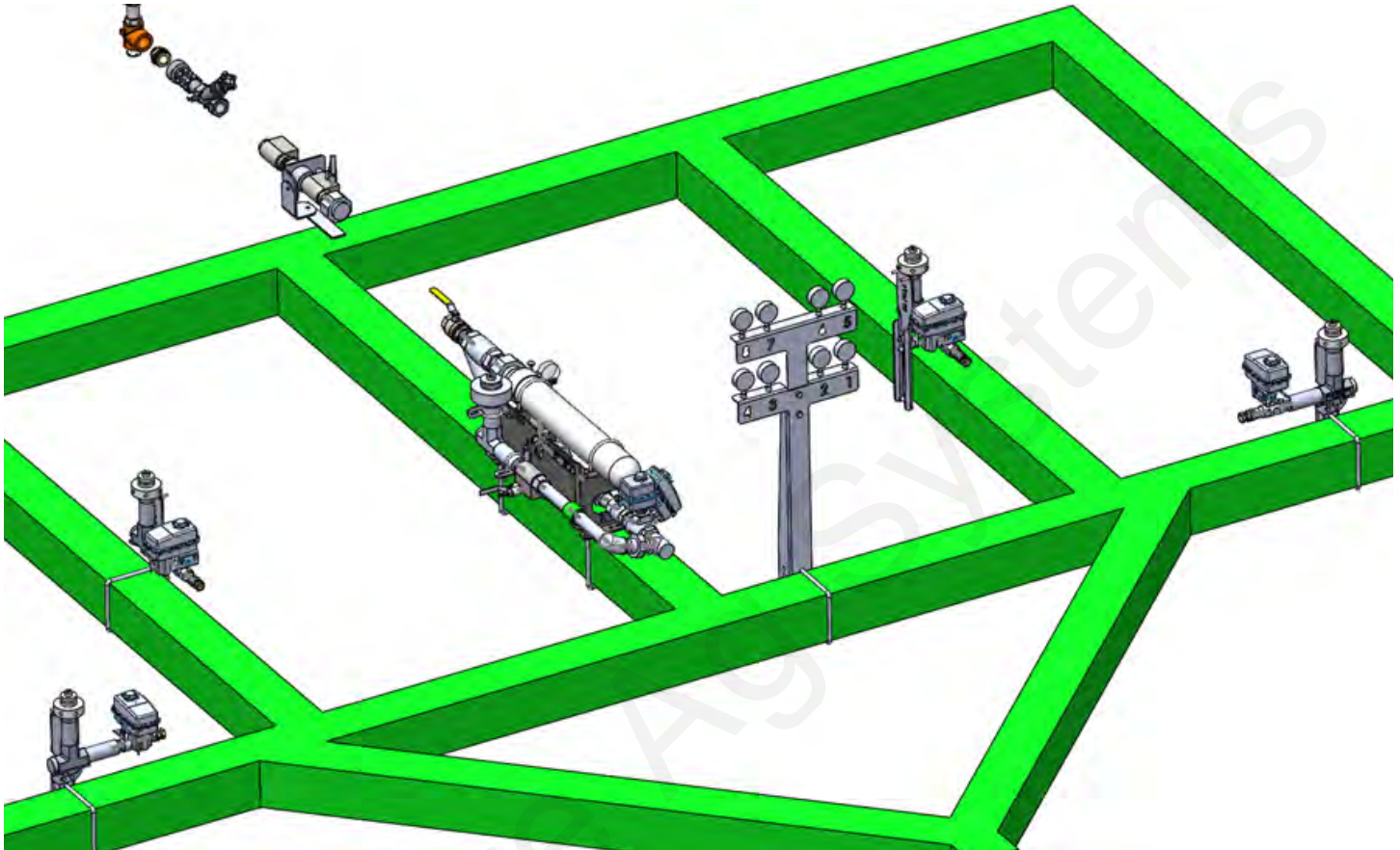
Torpedo™ Model 100 and Model 200



System Overview with 4 Electric Section Valves

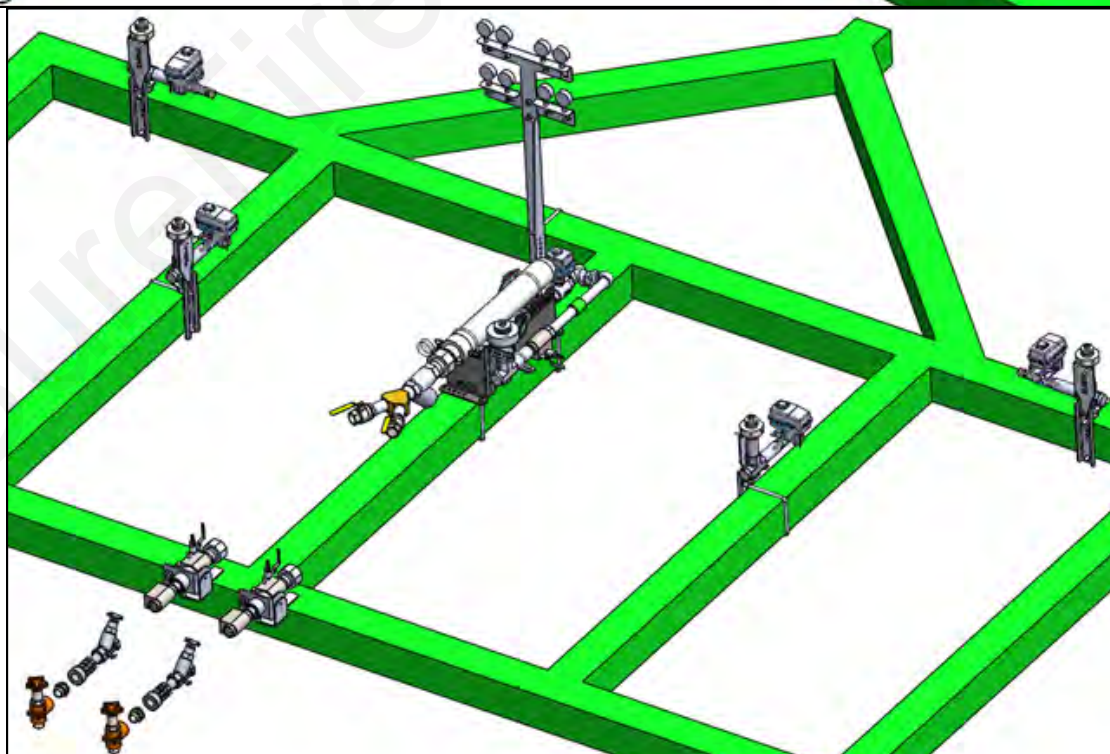
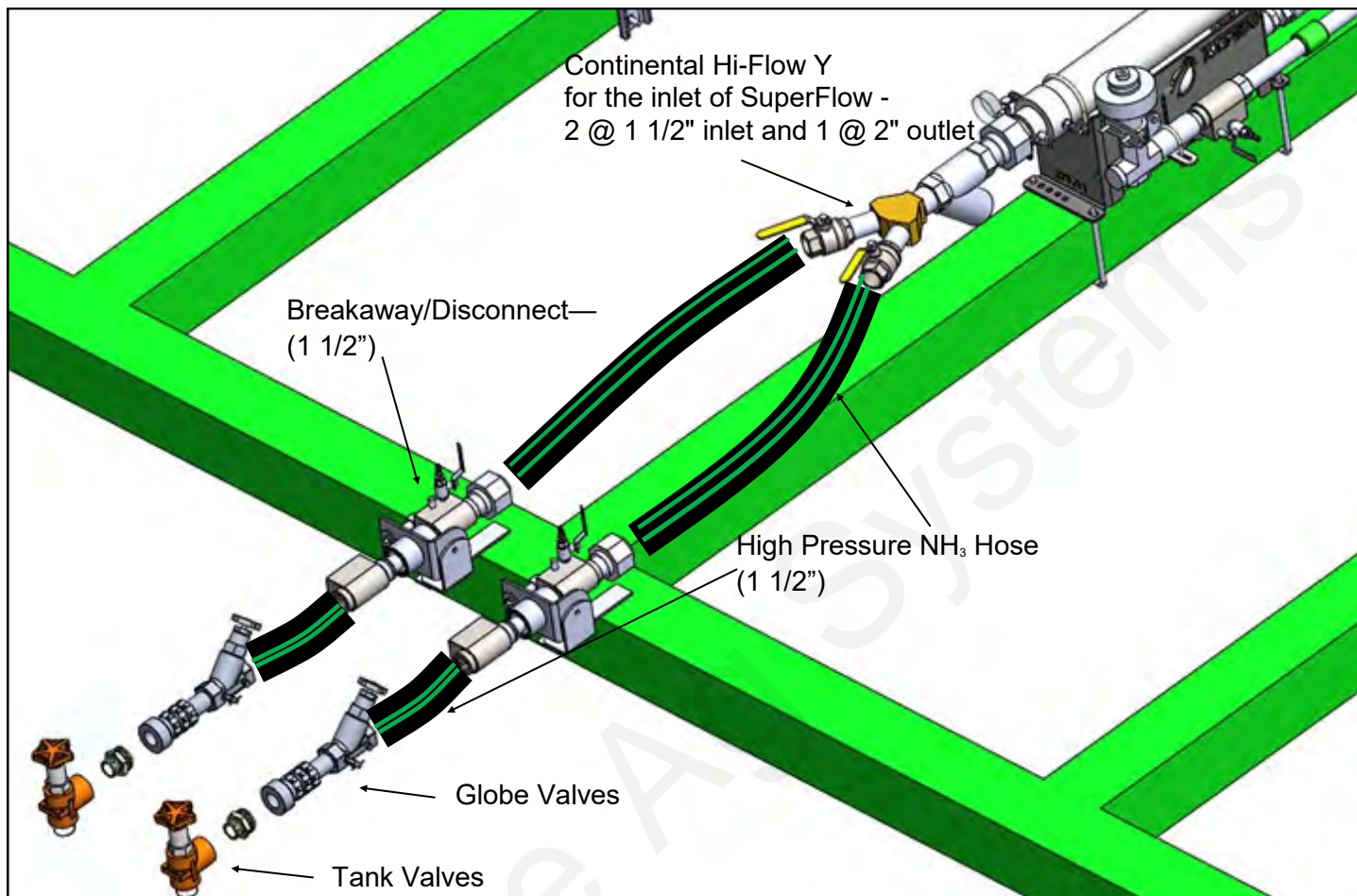
Torpedo™ Model 100 and Model 200

Optional Gauge Tree shown



System Overview with Torpedo™ Model 300

159-00-200150



Installation and Setup Instruction Tags-See the manual and accompanying literature for more information.

VARIABLE DUMP ORIFICE

To minimize the amount of ammonia going out the dump lines use the chart to determine the orifice setting to use.

GPM	1-10	11-20	21+	N-Serve
Orifice	A	B	C	D

$$\text{Tool bar width in feet} \times \text{Speed} \\ \times \text{Actual lbs N per acre} \times 0.1212 \\ / 0.82 / 5.14 / 60 = \text{GPM}$$

PN 398-10-2807Y1

("D" orifice is only for users having problems with N-Serve plugging up the heat exchanger.)

DUMP OUTLET HOSE BARBS (2)

Connect an appropriate length of 3/4" hose from each dump outlet hose barb to the 2 vapor knives on the applicator. Fasten each end with a worm gear clamp.

PN 398-10-2808Y1

Some applicators already have the vapor knives attached. If not, use the ones in the kit.

PN 398-10-2808Y1

Installation Instructions A-360SP Splitter

Correct Orifices Must Be Installed
Before Use.

See orifice chart on back side of this tag.

See the instruction sheet and manual for details.

PN 398-10-2811Y1

A-360SP Splitter Orifices

Pressure	100 PSI	50 PSI	Orifice
Flow Per Outlet	Up to 7 GPM	Up to 5 GPM	.302
	5 to 12 GPM	4 to 9 GPM	.437

$$\# \text{NH}_3 \text{ per acre} \times \text{speed} \times \text{tool bar width in feet} \times .1212 \\ \div 5.14 \div 60 \div \text{number of manifolds} = \text{GPM per outlet}$$

Or

$$\# \text{N per acre} \times \text{speed} \times \text{tool bar width in feet} \times 0.1212 \div 0.82 \\ \div 5.14 \div 60 \div \text{number of manifolds} = \text{GPM per outlet}$$

Bleeder Valve Installation Instructions

Connect hose and run hose to a safe location to bleed ammonia vapor.

PN 398-10-2810Y1

Bleeder Valve Safety

USE INSTRUCTIONS

This may not be the only place you have to bleed. Be certain entire system has been bled before working on system.

Be certain it is **safe** to bleed the system.

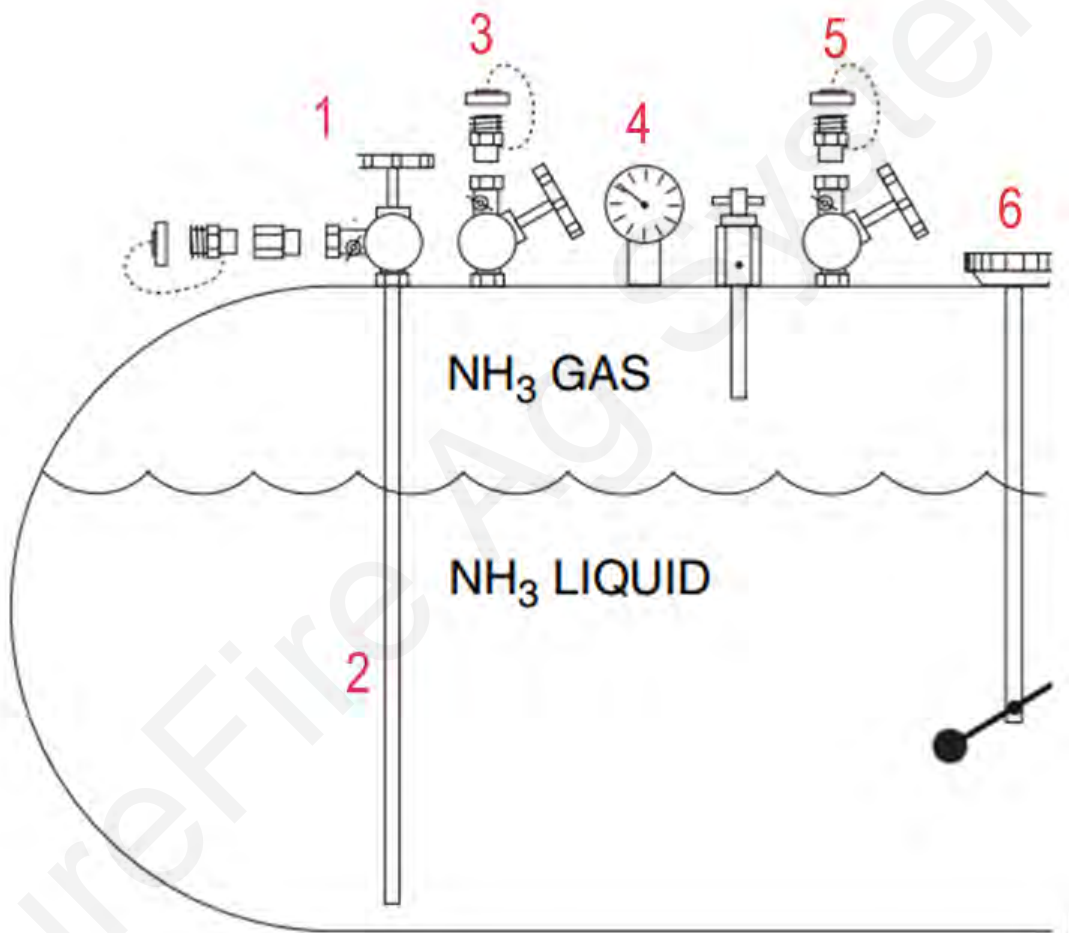
Open valve **SLOWLY** when bleeding system.

PN 398-10-2810Y1



NH₃ Tank

1. Withdrawal valve
2. Dip Tube
3. Liquid Fill Valve
4. Pressure Gauge
5. Vapor Valve
6. Liquid Level Float Gauge



Safety Reminder

Always bleed all segments of the system before working on or around the system.

Continental Tank Valves

153-

1406-G High Flow
1 1/4" MPT Tank Connector x 1 1/2" FPT Outlet
45 GPM

1809-BFV High Flow
1 1/2" MPT Tank Connector x 1 1/2" FPT Outlet
60 GPM



Depending on the rates, speeds, and tank pressure (temperature), a system may need to be connected to tanks with High Flow tank valves in order to allow enough product flow. The entire plumbing arrangement (valves, hoses, connections) must have high flow capacity in order to maximize flow to reach high rates at high speeds and cold temperatures.

Safety Reminder

Always bleed all segments of the system before working on or around the system.

NH₃ Inlet Plumbing Kit from Nurse Tank to Breakaway 158-00-

This kit includes: 1 1/4" or 1 1/2" High Pressure hose and one of the following Globe Valve Assemblies

Globe Valve Assembly 153-

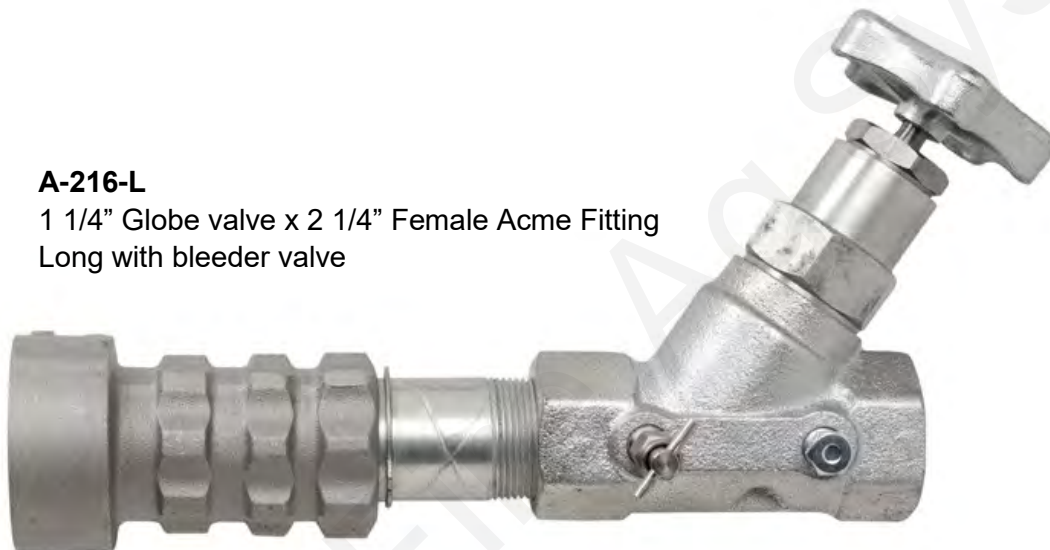
A-215-L

1 1/4" Globe valve x 1 3/4" Female Acme Fitting
Long with bleeder valve



A-216-L

1 1/4" Globe valve x 2 1/4" Female Acme Fitting
Long with bleeder valve

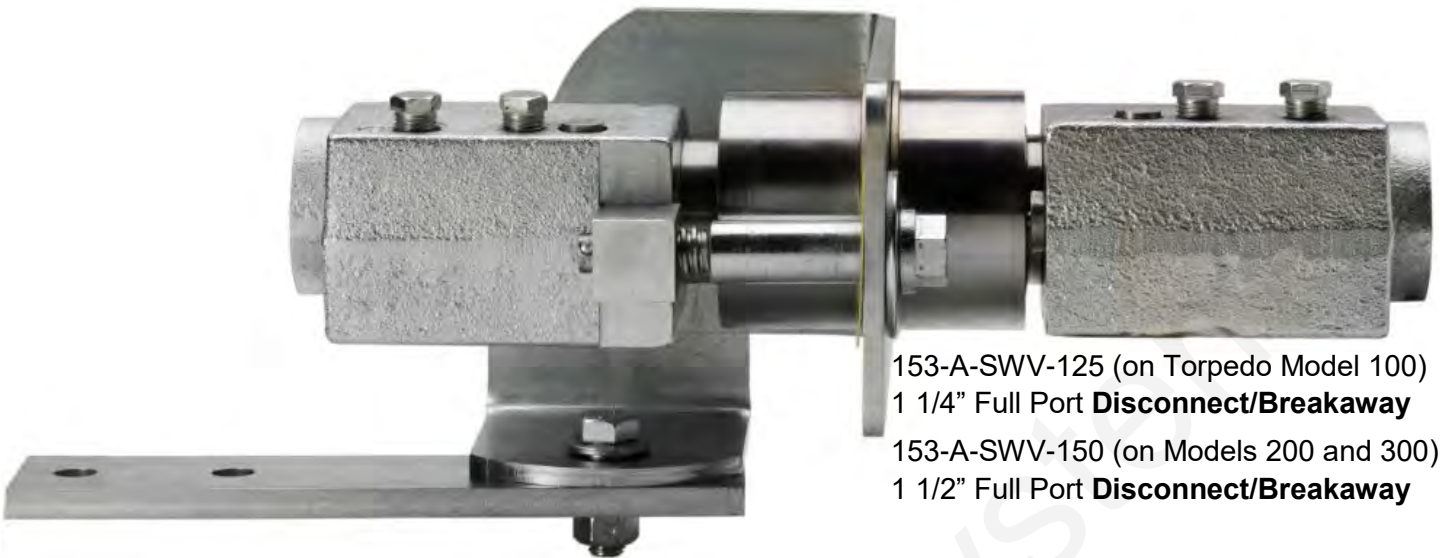


A-217-L

1 1/2" Globe valve x 2 1/4" Female Acme Fitting
Long with bleeder valve



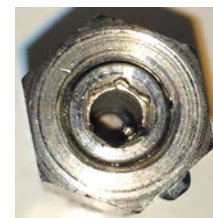
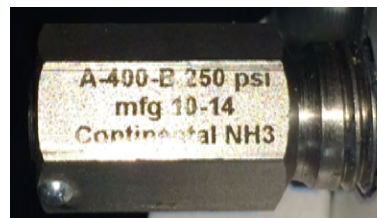
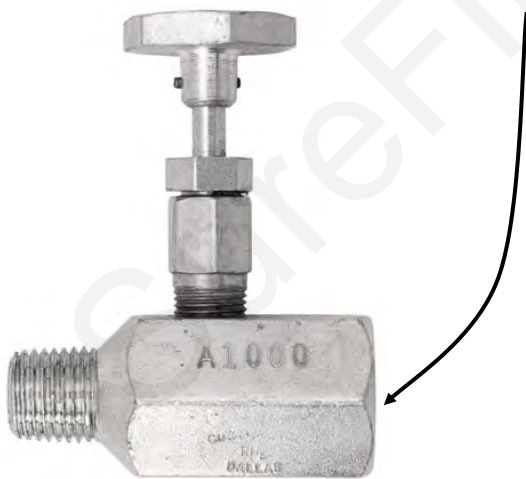
Torpedo Kit 159-00— Kit includes Breakaway, High Pressure NH₃ Hose and SuperFlow NH₃ Assembly



153-A-SWV-125 (on Torpedo Model 100)
1 1/4" Full Port **Disconnect/Breakaway**
153-A-SWV-150 (on Models 200 and 300)
1 1/2" Full Port **Disconnect/Breakaway**

- Full port 1 1/4" (or 1 1/2") through-holes
- Practically no pressure drop
- Swing valve style checks that swing out of the flow for superior flow characteristics
- All Stainless Steel, except housing, prevents rust and corrosion
- Built-in reconnection and disconnection acme bolt
- Dual 1/4" pipe ports on each side for bleeder valves and hydrostats
- 35% larger than other units
- **Read the complete installation and operating instructions that come with Disconnect/Breakaway**

153-A-1000 1/4" MPT x 1/4" FPT NH₃ **Needle Valve**--
can attach pressure gauge or transducer here



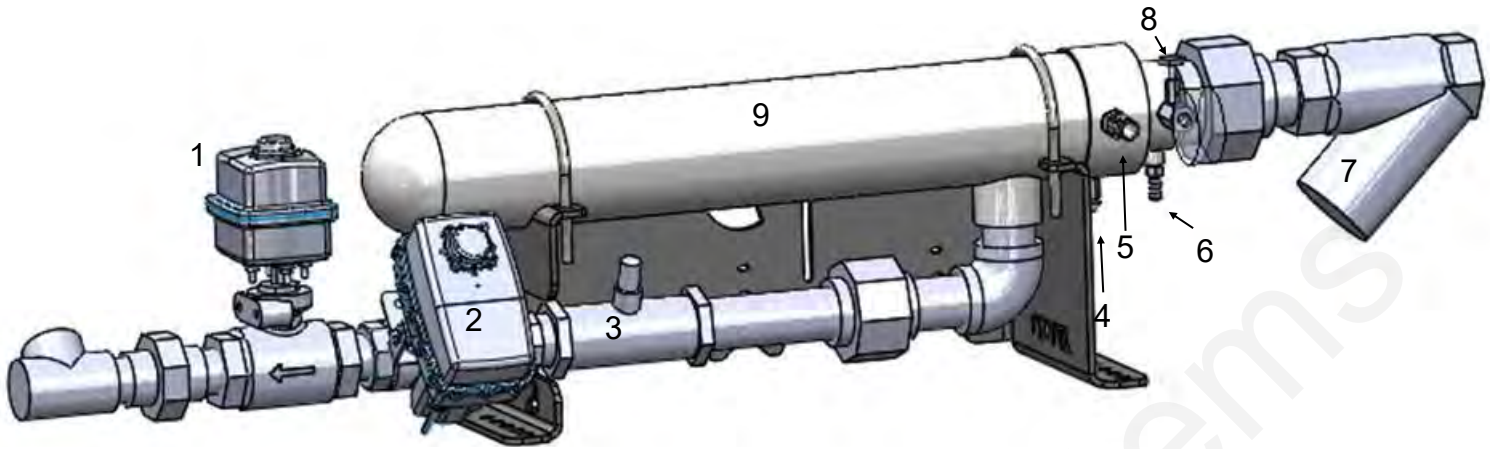
End view

153-A-400-B 1/4" **Hydrostat Relief Valve**—250 PSI—(Keep the black cap on)
Used in various segments of the system as a safety relief valve. This component has a **MFG Date** stamped on it. Replace within 5 years.

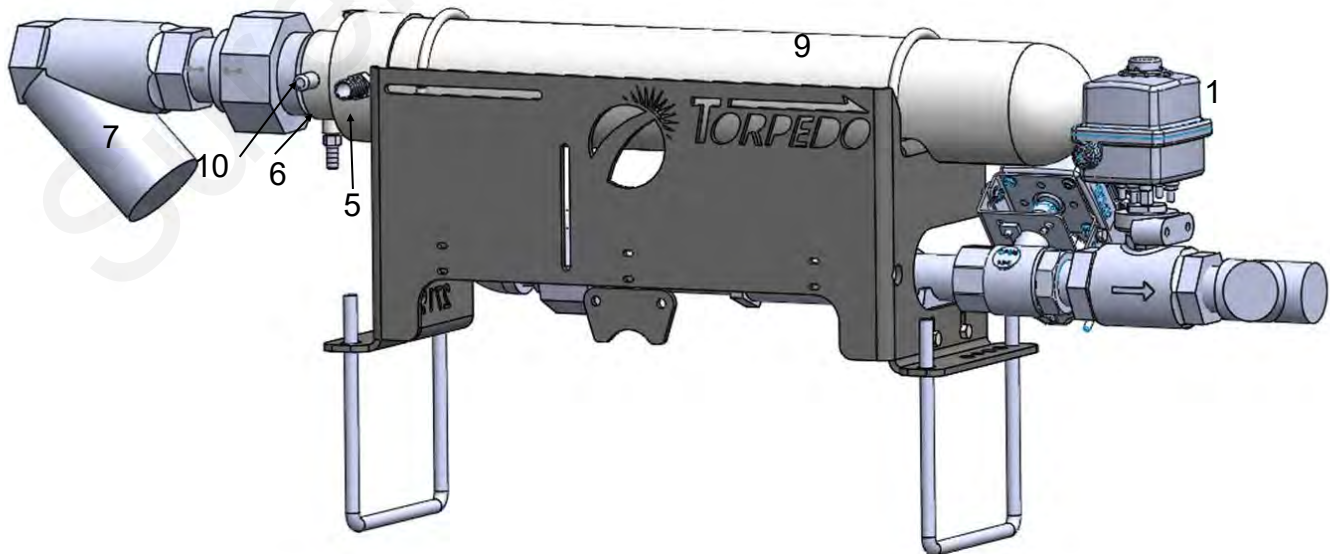
Safety Reminder

Wear tight-fitting non-vented goggles when working around anhydrous ammonia.

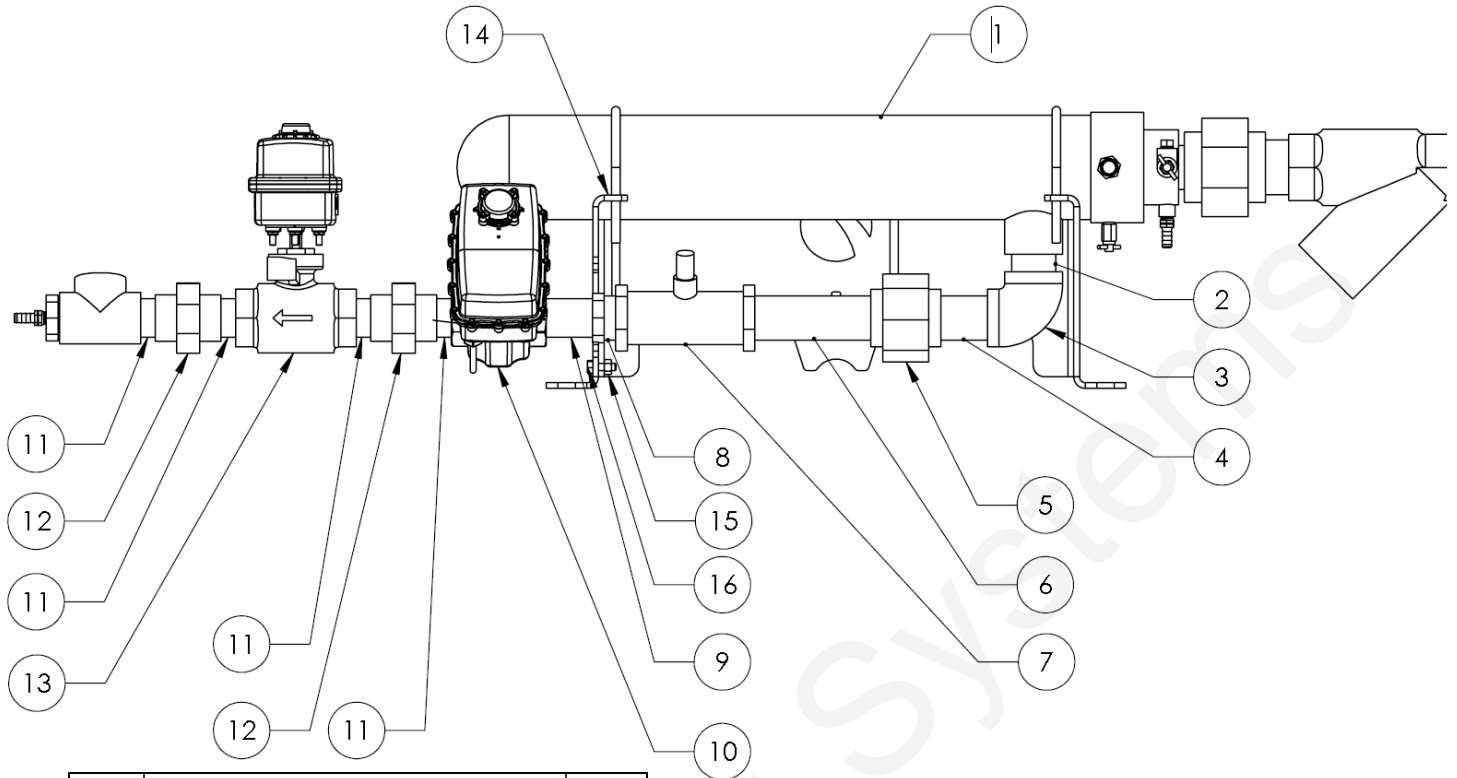
Torpedo™ SuperFlow NH₃ Assembly 202-2693Y1



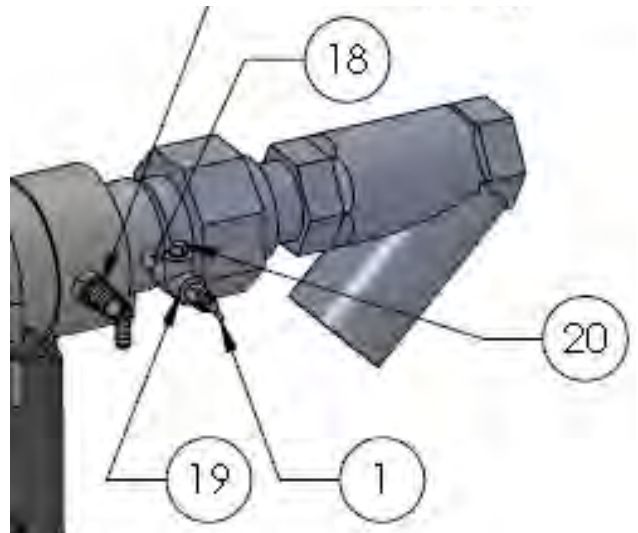
1	202-2691Y1	SureFire 1 1/4" NH ₃ Servo Valve —7 sec. 118 degree open/close - 3-pin WP tower (2-wire)
2	202-KZ67GY	1 1/4" SS KZ NH ₃ shut-off valve with 3-pin WP shroud
3	204-02-2692Y1	Raven SS RFM 60S Flowmeter 1 to 60 GPM with 3-pin MP 150 shroud
4	153-A-411	1/4" Bleeder valve
5	151-050075	1/2" MPT X 3/4" Hose Barb—Dump Outlet Hose Barb (plumb to Dump Knife)
6	151-025038	1/4" MPT X 3/8" Hose Barb—3/8" product feedback hose attaches here
7	762-A1SC-2	2" Y filter
8	153-A-1000	1/4" MPT x 1/4" FPT NH ₃ Needle Valve --can attach pressure gauge or transducer here
9	762-A-SF-3000Y2-S	Continental SuperFlow Exchanger and vapor tubes/ etc.
10	153-A-400-B	1/4" Hydrostat Relief Valve —250 PSI—(Keep the dust cap on)



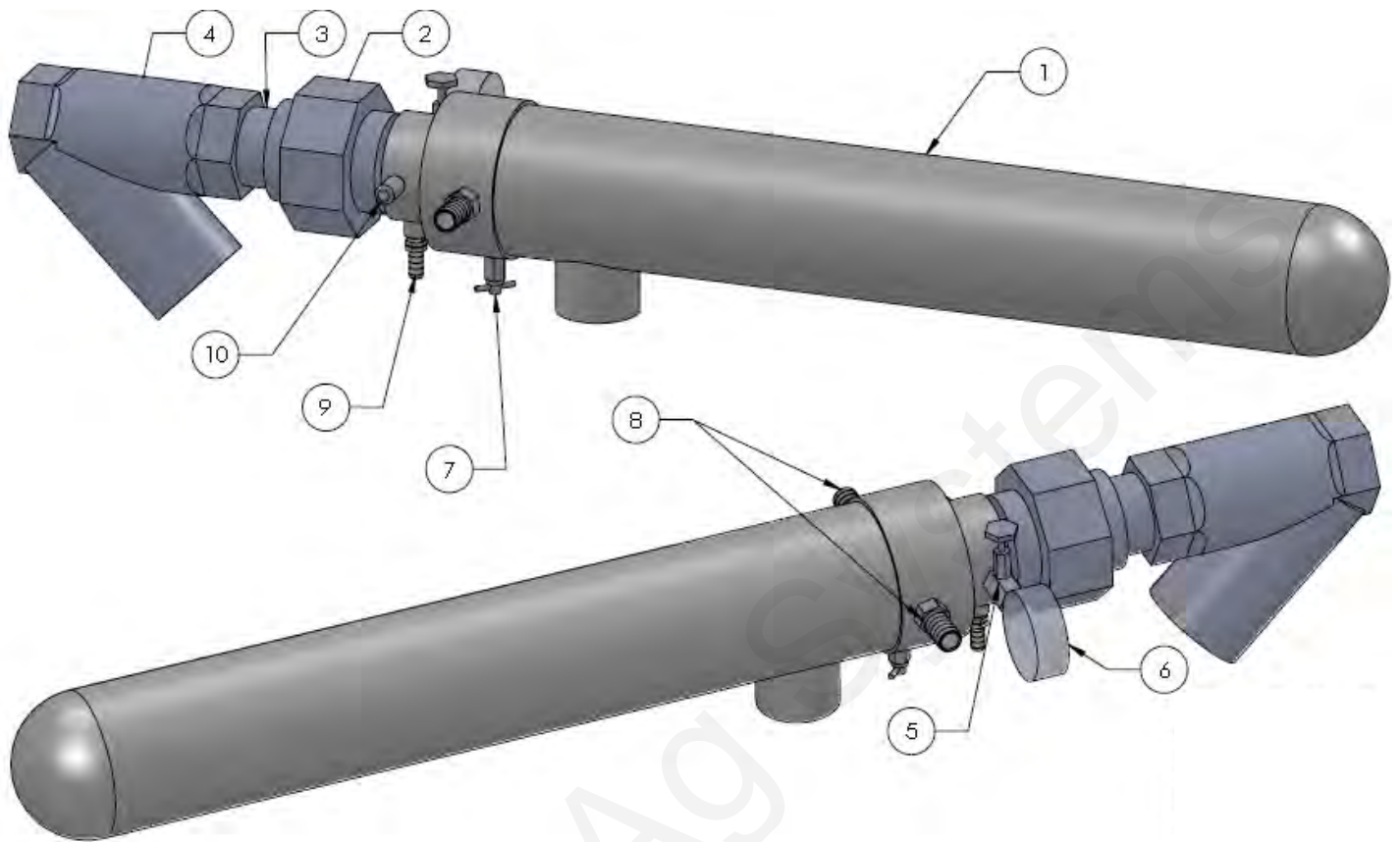
SureFire Torpedo NH3



Item	Description	Qty
1	Heat Exchanger	1
2	Nipple	1
3	Elbow	1
4	Nipple	1
5	Union	1
6	Nipple	1
7	Flowmeter	1
8	Reducer Bushing	1
9	Nipple	1
10	On/Off Valve	1
11	Nipple	4
12	Union	2
13	Control Valve	1
14	Heat Exchanger Base	1
15	5/16" Flange Nut	2
16	5/16" x 1" HCS G5	2
18	Nipple	1
19	Tee	1
20	1/4" Plug	1



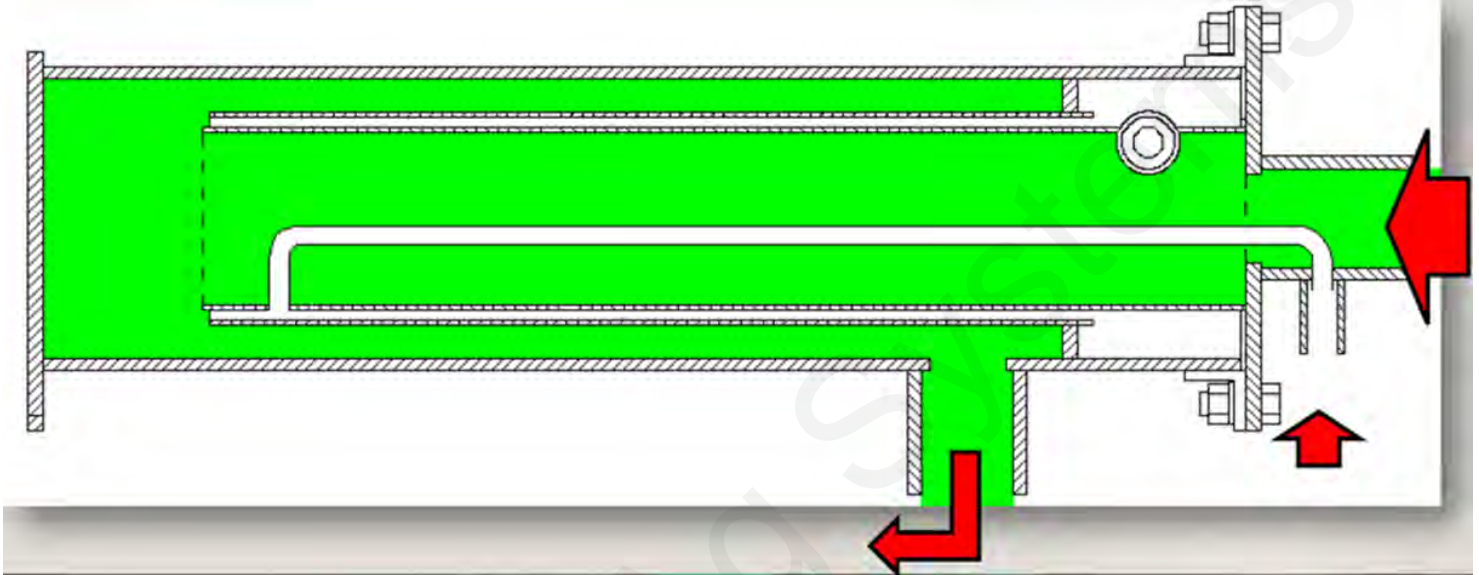
Torpedo™ SuperFlow NH₃ Assembly 202-2693Y1



Item No.	Part Number	Description	QTY
1	153-A-SF-3000GH-2	2" Exchanger	1
2	150-200UN-S80	2" Union-Schedule 80	1
3	150-200NIP-SH-S80	2" X SH Nipple-Schedule 80	1
4	762-A1SC-2	2" Y Filter	1
5	153-A-1000	1/4" MPT X 1/4" FPT NH3 Needle Valve	1
6	137-ASG400	Pressure Gauge (Optional)	1
7	153-A-411	1/4" Bleeder Valve-Continental	1
8	151-050075	1/2" MPT X 3/4" Hose Barb	2
9	151-025038	1/4" MPT X 3/8" Hose Barb	1
10	153-A-400-B	1/4" Relief Valve-250 PSI	1

SureFire Torpedo (Heat Exchanger)

1. Turns the NH₃ vapor back to a liquid so the flowmeter can accurately measure the amount
2. How it works—A small amount (2-4%) of liquid ammonia downstream of the control valve is returned to the center of the cooling chamber. This central chamber is open to the outside via the vapor tubes. As the liquid in this chamber turns to vapor it cools the entire chamber enough so that all of the NH₃ in the Torpedo is turned back to a liquid. It stays in liquid form until it passed through the flowmeter where it is accurately measured.



SureFire Torpedo Features

1. A break-down bolt helps separate the unit for easy maintenance.
2. All internal tubes, the o-ring bonnet, and feed tube are stainless steel.
3. Only has 3 standard O-rings for easy repair.
4. The control valve is a 120-degree slotted servo valve for precise and accurate control.
5. The system uses high quality KZ valves and actuators.
6. The system has an adjustable orifice on the return line so the correct amount of ammonia is used for cooling.
7. Has an internal drain valve to empty the ammonia for easy and safe maintenance.

Safety Reminder

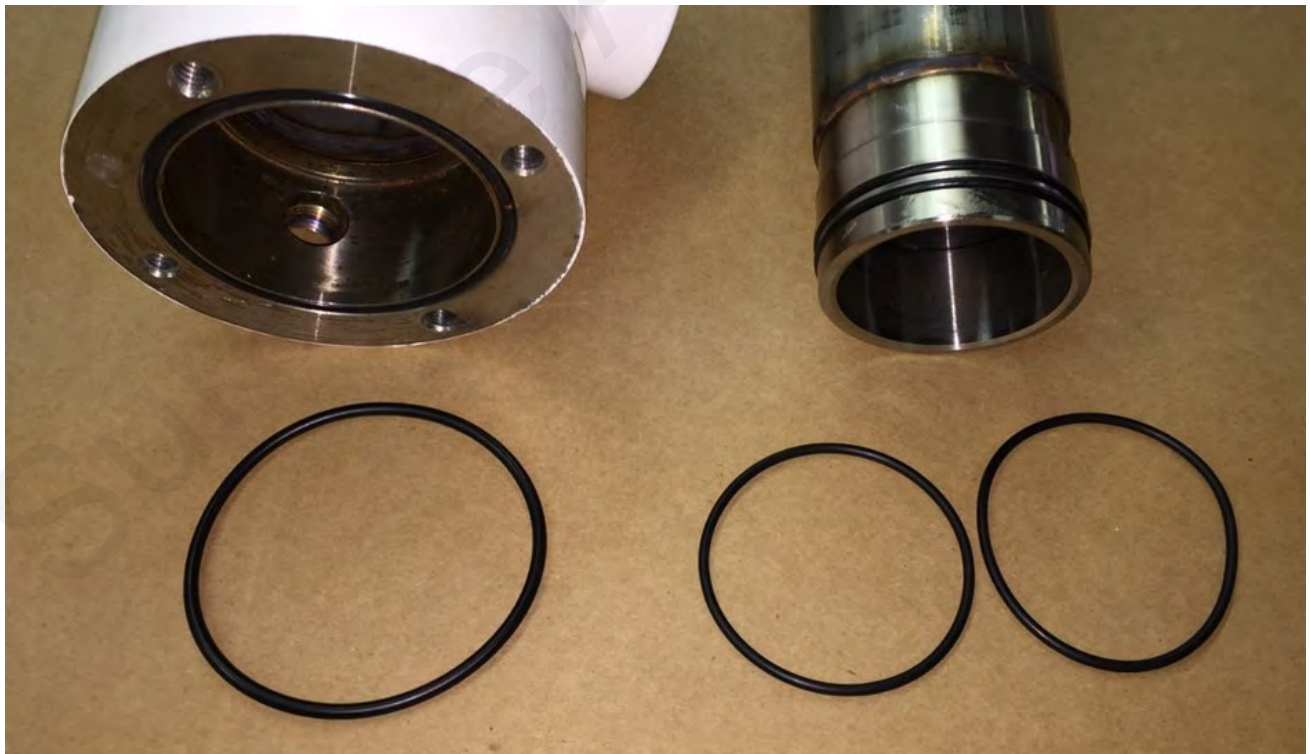
Always bleed all segments of the system before working on or around the system.

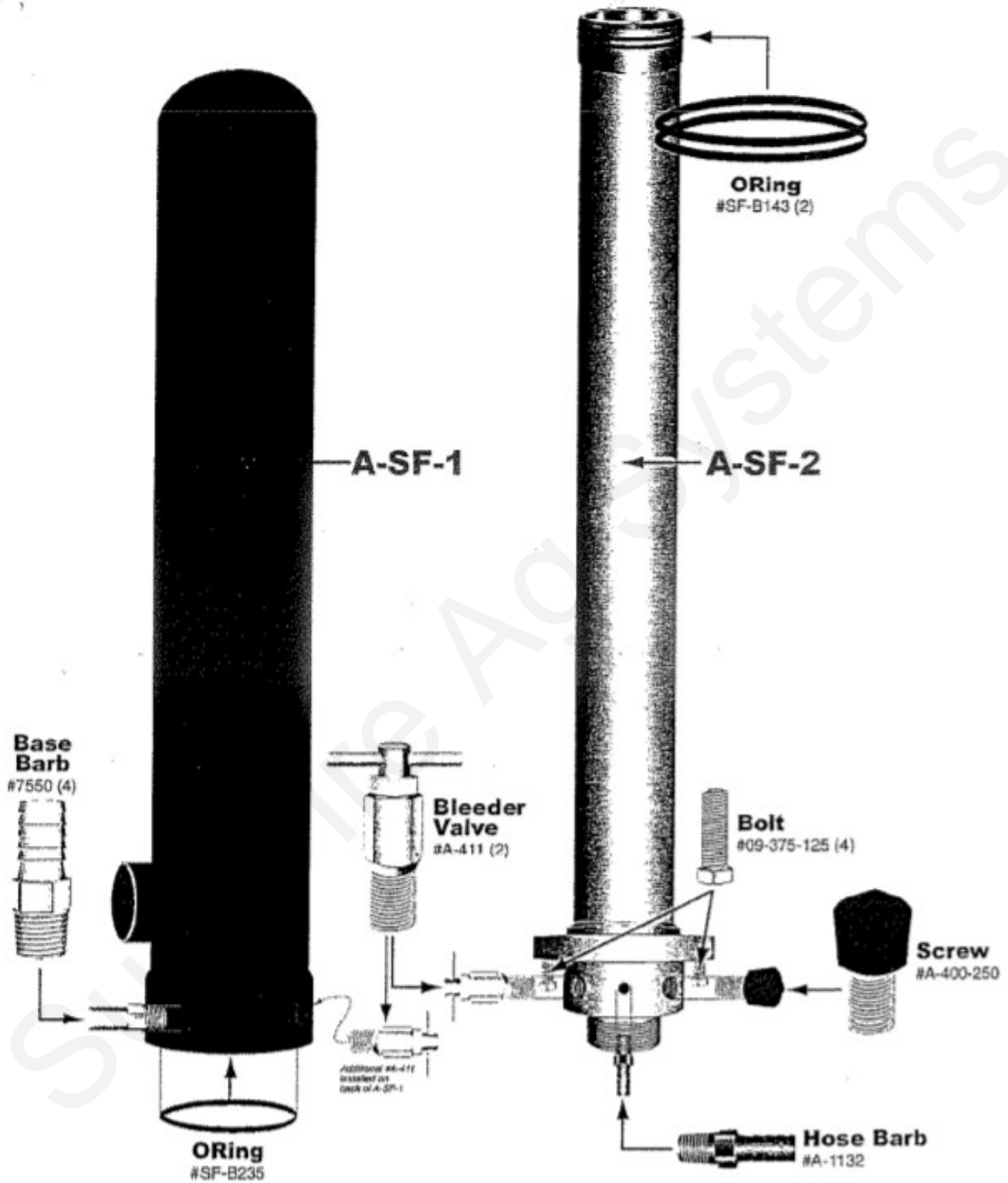
SureFire Torpedo Repair and Service

1. Remove the 4 Allen screws on the end of the Torpedo tube and pull the inner tube assembly out of the outer tube assembly. Use the breakdown bolt (5) to assist in separating the inner tube assembly from the outer tube assembly.



2. Replace both inner o-ring dump seals and body o-ring seal. Repair kit part number 153-01-A-SF-RK.





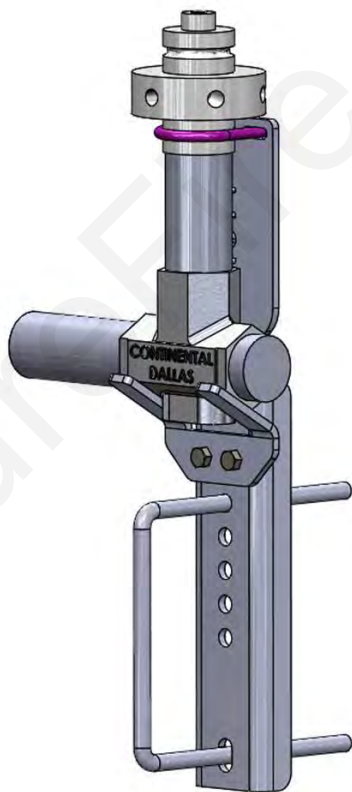
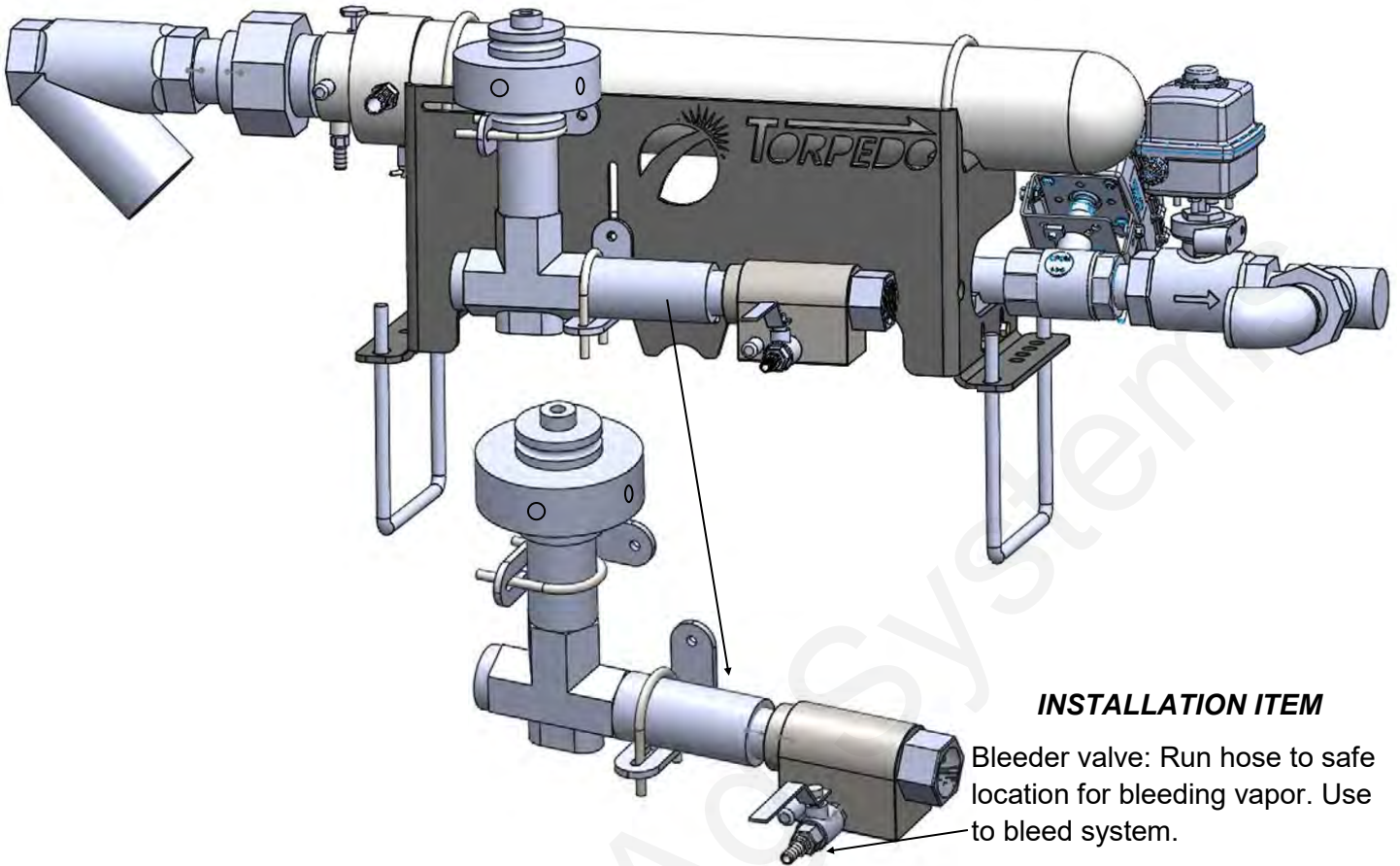
MAINTENANCE of TORPEDO COOLER (Heat Exchanger)

1. Check unit regularly for leaks and wear.
2. Clean unit annually if possible and store it out of the weather. This will prolong the life of the heat exchanger as well as any other equipment you may have.
3. If leaking from a weld seam remove from service immediately and get it repaired.
4. If leaking from a pipe thread connection try tightening the connection with a wrench. If this fails replace the unit or part that is leaking.
5. If leaking from the upper and lower body, or from the dump knives when not running install a repair kit or replace unit immediately.

REPAIR

1. Remove unit from service.
2. Open both bleeder valves located at the bottom of the Torpedo cooler to help drain the system.
3. Remove the 4 Allen screws 09-375-125 located at the bottom or end of the Torpedo cooler and pull the upper body off of the lower body.
4. Replace the 2 upper o-rings SF-B133 and the 1 lower o-ring SF-B235. Coat the O-rings with some grease to prevent them from being cut when you reassemble the two pieces.
5. Reassemble the upper and lower body and screw the 4 Allen screws back into the Torpedo and tighten firmly with Allen wrench
6. Reinstall unit back into service. Test carefully for leaks.

Splitter Options-mounted to Torpedo or mounted remotely



A-360 Splitter Remote Mount

If the splitter is mounted remotely from the Torpedo, you will need an appropriate length of 1 1/4" high pressure hose from the Torpedo to the splitter if using electric section valves or 1" EVA hose if not using electric section valves.

A-360 Bracket Kit 159-11-100500

Safety Reminder

Check all hoses and fittings and immediately replace any that show signs of wear or are out of date.

Manifolds and Splitters



A-360 Manifold

A-360-MA-(W,C,or J)- *Medium, Large, or Jumbo*



A-360 Splitter

A-360-SP-(3-9) *Regular*

or

A-360-SP-J (3-4) *Jumbo*

INSTALLATION ITEM

Must install correct orifices in Splitter during installation. See the next page or see the instructions with the Splitter.

Features of A-360 Manifolds and Splitters

Patented step down injector technology mixes and accelerates the ammonia into an upper chamber, the tee, and the lower manifold chamber. These features mix the vapor and liquid so each outlet gets an equal amount of both.

- As close as 1 to 3 percent row-to-row variation
- Includes SS hose barbs on manifolds (Half-rate orifice hose barbs are available for half-rate end-rows)
- Manifold outlets available from 3 to 16 for medium (W), 3 to 13 for large (C), and 3 to 10 for jumbo (J)
- Splitter outlets available from 3 to 9 outlets (3 or 4 outlets on Jumbo)
- Pressure gauge port on both manifolds and splitters
- Can be mounted upside down

Splitter Selection

NH₃
GPM per outlet

100 PSI tank	50 PSI tank	Model Number
Up to 12 GPM	Up to 9 GPM	A-360SP
12 to 25 GPM	9 to 18 GPM	A-360SP-J

To determine your GPM per outlet use one of the following formulas

$$\#NH_3 \text{ per acre} \times \text{speed} \times \text{tool bar width in feet} \times .1212 \div 5.14 \div 60 \div \text{number of manifolds} = \text{GPM per outlet}$$

$$\text{Gallons per minute} \div \text{number of manifolds} = \text{GPM per outlet}$$

$$\#N \text{ per acre} \times \text{speed} \times \text{tool bar width in feet} \times 0.1212 \div 0.82 \div 5.14 \div 60 \div \text{number of manifolds} = \text{GPM per outlet}$$

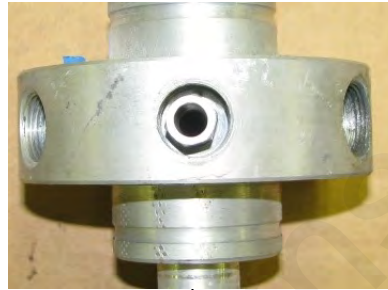
A-360SP Splitter

The splitter was designed to have stainless steel threaded orifices on the outlet ports of the manifold. See picture below.

Correct orifice must be installed before use.



Threaded orifice not installed



Threaded orifice installed

Use a 5/8" socket wrench to install or remove them when necessary. See picture below.



These orifices can be swapped out for different sizes depending on your application needs. Select the correct orifice based on your application needs by referring to the chart below.



NH3 GPM per outlet 100 psi tank	GPM per outlet 50 psi tank	Orifice
Up to 7 GPM	Up to 5 GPM	.302
5 to 12 GPM	4 to 9 GPM	.437
12 to 25 GPM	9 to 18 GPM	JUMBO

To determine your GPM per outlet use one of the following formulas

$$\#NH_3 \text{ per acre} \times \text{speed} \times \text{tool bar width in feet} \times .1212 \div 5.14 \div 60 \div \text{number of manifolds} = \text{GPM per outlet}$$

$$\text{Gallons per minute} \div \text{number of manifolds} = \text{GPM per outlet}$$

$$\#N \text{ per acre} \times \text{speed} \times \text{tool bar width in feet} \times .1212 \div .82 \div 5.14 \div 60 \div \text{number of manifolds} = \text{GPM per outlet}$$

As a general guideline, manifold pressures greater than 2/3 of tank pressure may restrict total system flow. Manifold pressures less than 30 PSI may result in increased row-to-row variation. Manifold pressures will change as rate, speed, and tank pressure (temperature) change.

A-360 Manifold



Manifold Selection

To choose the correct manifold, use one of the formulas below to determine your lbs NH3 per outlet (per hour) and look on the chart to see which is the correct manifold for that application range.

NH3
Lbs/hr
per outlet

100 PSI tank 64° F	50 PSI tank 34° F	Model Number
Up to 170# NH3	Up to 127# NH3	A-360MA-W
170-422# NH3	127-316# NH3	A-360MA-C
Above 422# NH3	Above 316# NH3	A-360MA-J

To determine your NH3 per outlet use one of the following formulas:

(#NH3 per acre X speed X tool bar width in feet X 0.1212 ÷ total number of outlets on the bar = **NH3 per outlet**)

(Gallons per minute X 5.14 X 60 ÷ total number of outlets on the bar = **NH3 per outlet**)

(#N per acre X speed X tool bar width in feet X 0.1212 ÷ 0.82 ÷ total number of outlets on the bar = **NH3 per outlet**)

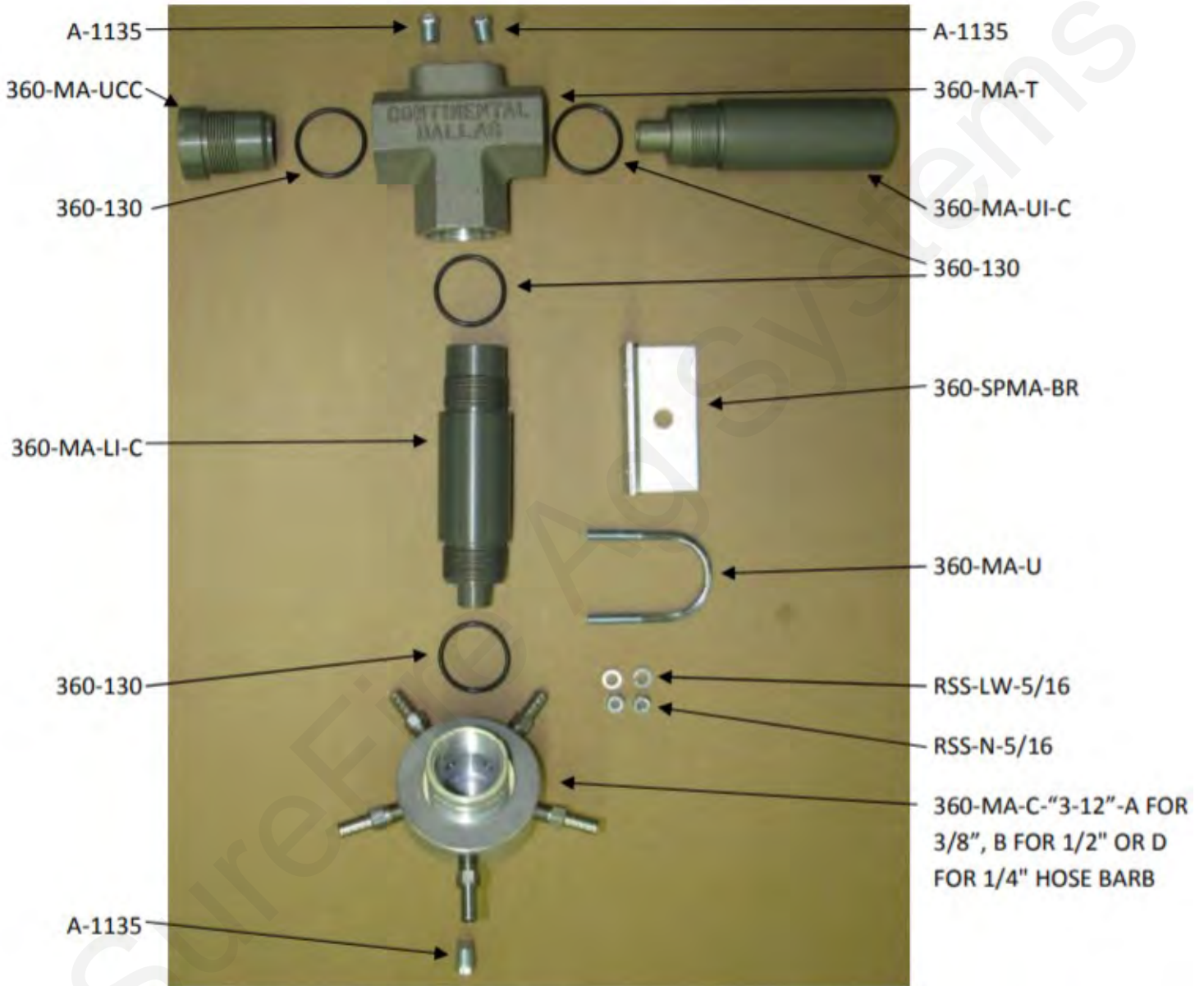
Note: All manifolds must be within one outlet of each other. For example, if you have 17 rows split into 3 sections, your manifolds must have 6, 6, and 5 outlets. You cannot have 5, 5, and 7.

As a general guideline, manifold pressures greater than 2/3 of tank pressure may restrict total system flow. Manifold pressures less than 30 PSI may result in increased row-to-row variation. Manifold pressures will change as rate, speed, and tank pressure (temperature) change.

Nitrogen stabilizers, such as N-serve, added to the ammonia may corrode aluminum and may also leave crystal-like deposits which could eventually clog up the orifices. To avoid problems, disassemble and thoroughly clean the manifolds at the end of each application season.

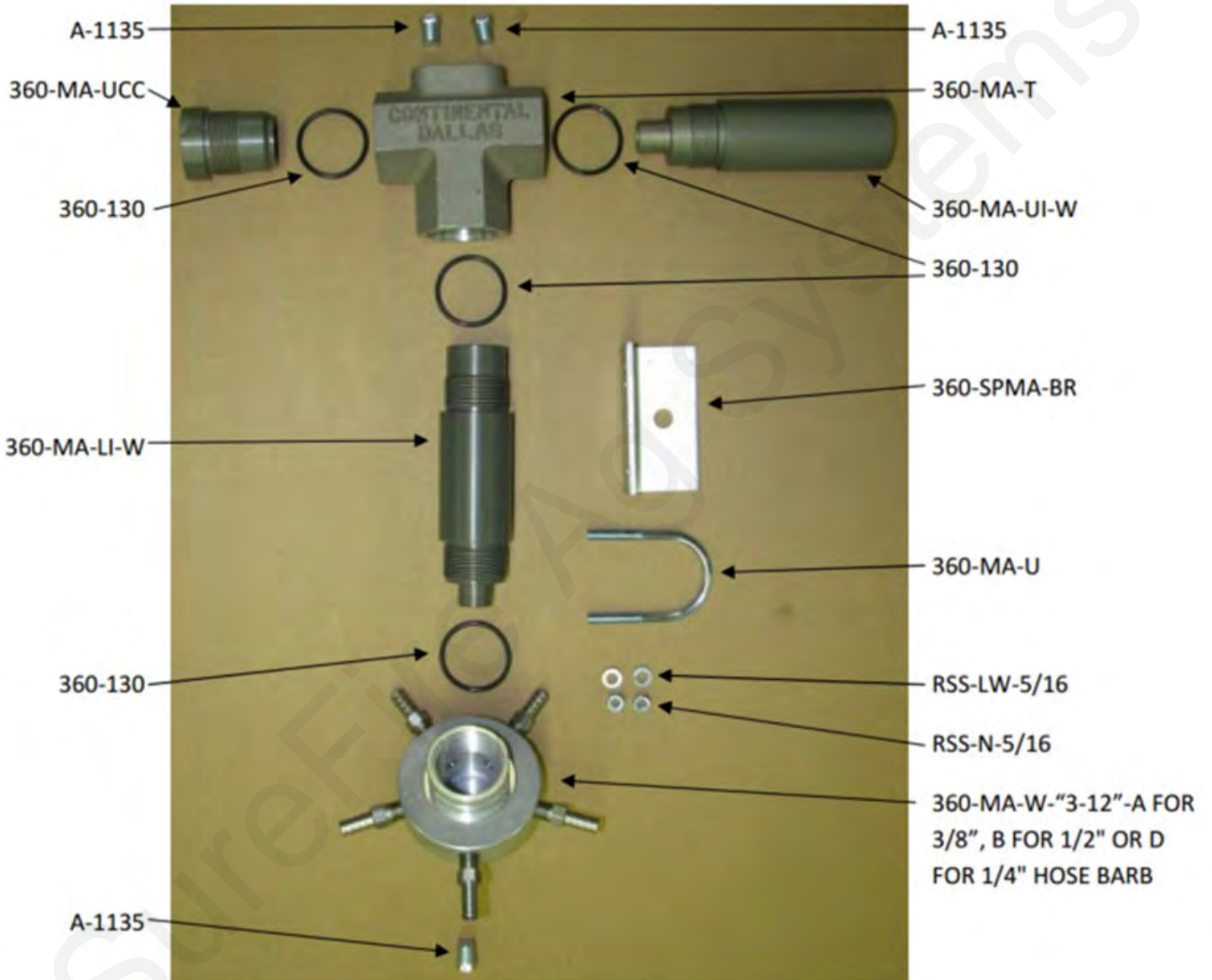
See the complete Continental NH3 Products *Installation, Operation, Repair and Maintenance Instructions* that came with the splitter and manifold for further tips and information.

A-360MA-C PART BREAKDOWN



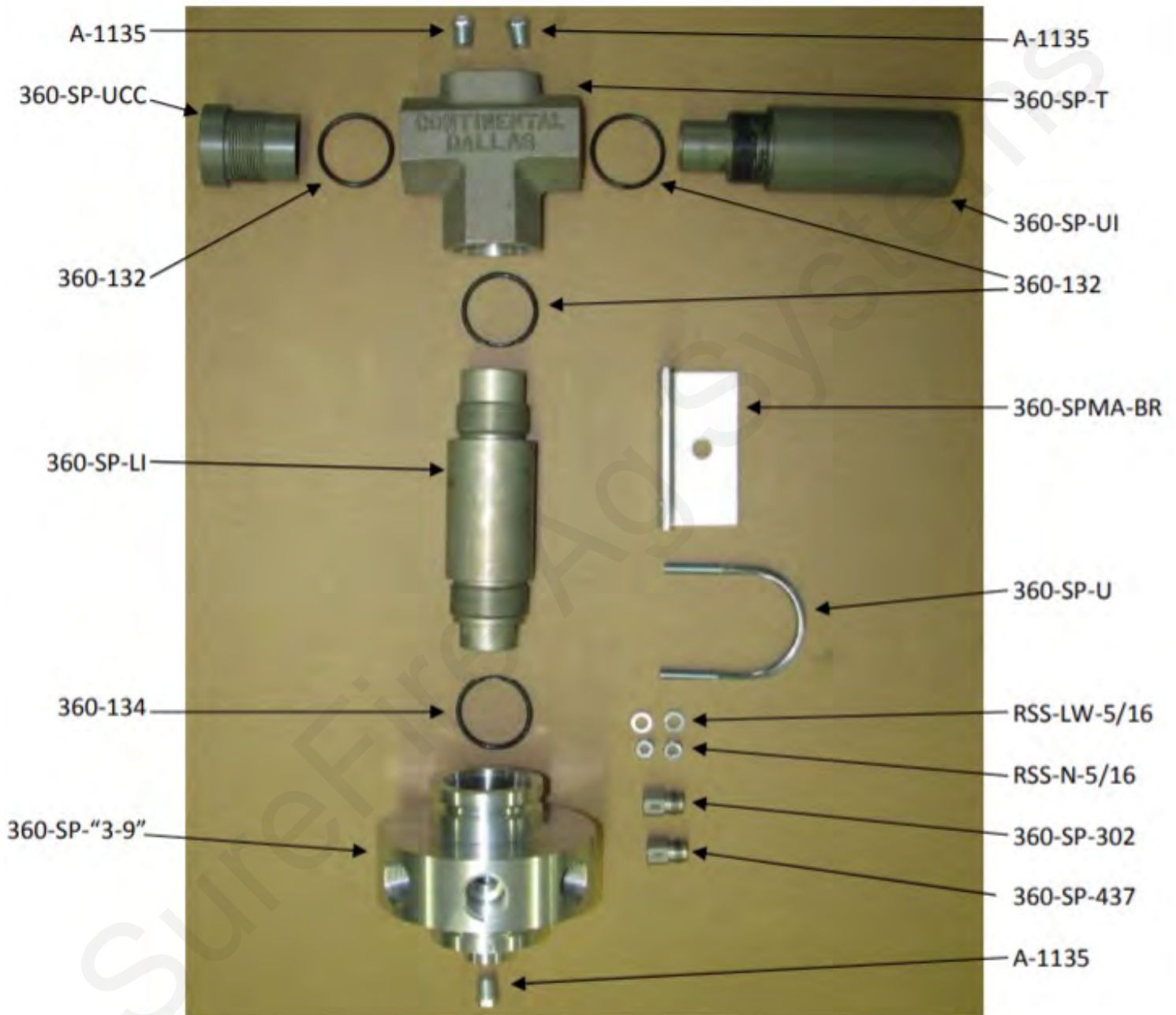
For additional parts drawings or product manuals, go to continentalnh3.com/product-manuals.html.

A-360MA-W PART BREAKDOWN



For additional parts drawings or product manuals, go to continentalnh3.com/product-manuals.html.

A-360SP SPLITTER PART BREAKDOWN



For additional parts drawings or product manuals, go to continentalnh3.com/product-manuals.html.

Optional Vertical Dam Manifold

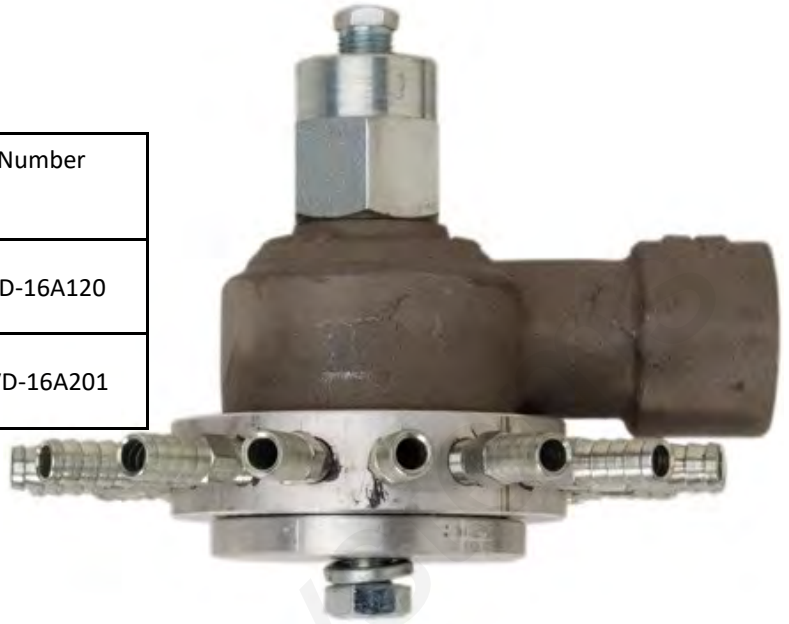
Continental Vertical Dam Manifold

Each manifold has 16 of 3/8" HB outlets

NH3
Lbs/hr
per outlet

100 PSI tank 64° F	50 PSI tank 34° F	Model Number
24-183	18-137	152-A-MVD-16A120
Above 183	Above 137	152-A-MVD-16A201

See the formulas on the previous page to calculate the NH3 lbs/hr per outlet.

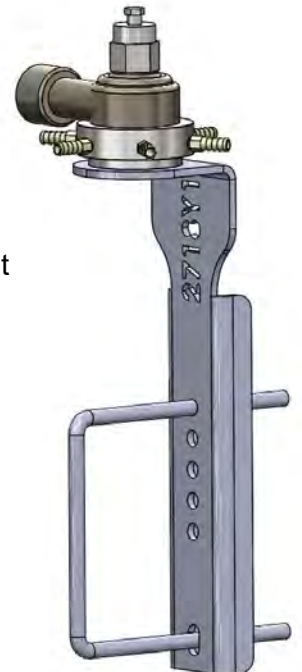


Features of A-MVD Vertical Dam Manifold

- Get within 6 to 8% row-to-row accuracy
- Better accuracy than traditional manifold
- Plug outlets you don't need
- Half-rate orifice hose barbs are available if needed for half-rate end rows

As a general guideline, manifold pressures greater than 2/3 of tank pressure may restrict total system flow. Manifold pressures less than 30 PSI may result in increased row-to-row variation. Manifold pressures will change as rate, speed, and tank pressure (temperature) change.

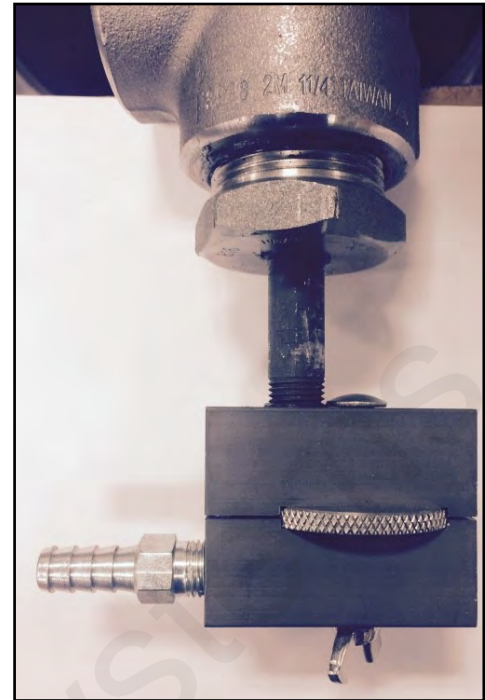
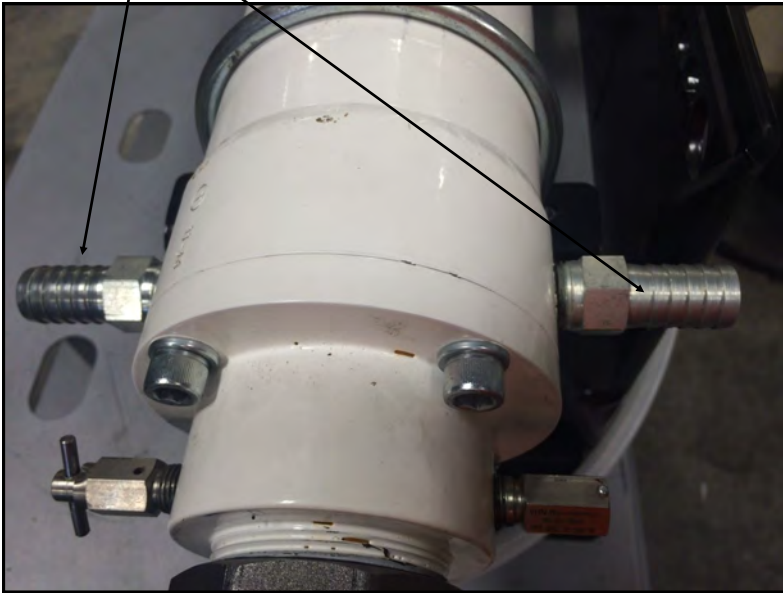
MVD Bracket Kit
159-11-200500



BE CAREFUL OUT THERE!

INSTALLATION ITEM

Dump Hose Barbs: Plumb 3/4" hose to vapor tube dump knives.



INSTALLATION ITEM

Bleeder valve: Run hose to safe location for bleeding vapor. Use to bleed system.

Open valve slowly when bleeding system.

$$(\# \text{ N per acre}) \times \text{speed} \times \text{width} / 2090.6 = \text{GPM}$$

("D" orifice is only for users having problems with N-Serve plugging up the heat exchanger.)

INSTALLATION ITEM ↑

Variable Dump Orifice: The dump orifice draws a small amount of liquid ammonia and returns it to the center of the heat exchanger to do the cooling. The variable dump orifice controls the amount of ammonia that is used to cool the exchanger. Using too small of an orifice may result in some vapor still being in the system when it goes through the flowmeter. Using too large an orifice will cause more ammonia than necessary to be dumped through the vapor tube dump knives. Be sure the letter indicating the desired orifice size is showing in the window cutout and tighten the wingnut.

GPM	1-10	11-20	21+	N-Serve
Orifice	A	B	C	D

TORPEDO™



SureFire
Ag Systems

Flowmeter 204-02-2692Y1

Raven SS RFM 60S Flowmeter 1 to 60 GPM with 3-pin MP 150 shroud



This flowmeter puts out **144 pulses per gallon**. Raven RCM uses pulses per 10 lb of N.

FLOW CALIBRATION for Raven RCM is 340 pulses per 10 lb of N.

Verify accuracy of flowmeter by comparing the Volume shown on the display with actual weigh tickets.

If the weigh ticket amount is more than shown on the display, LOWER the flow cal number.

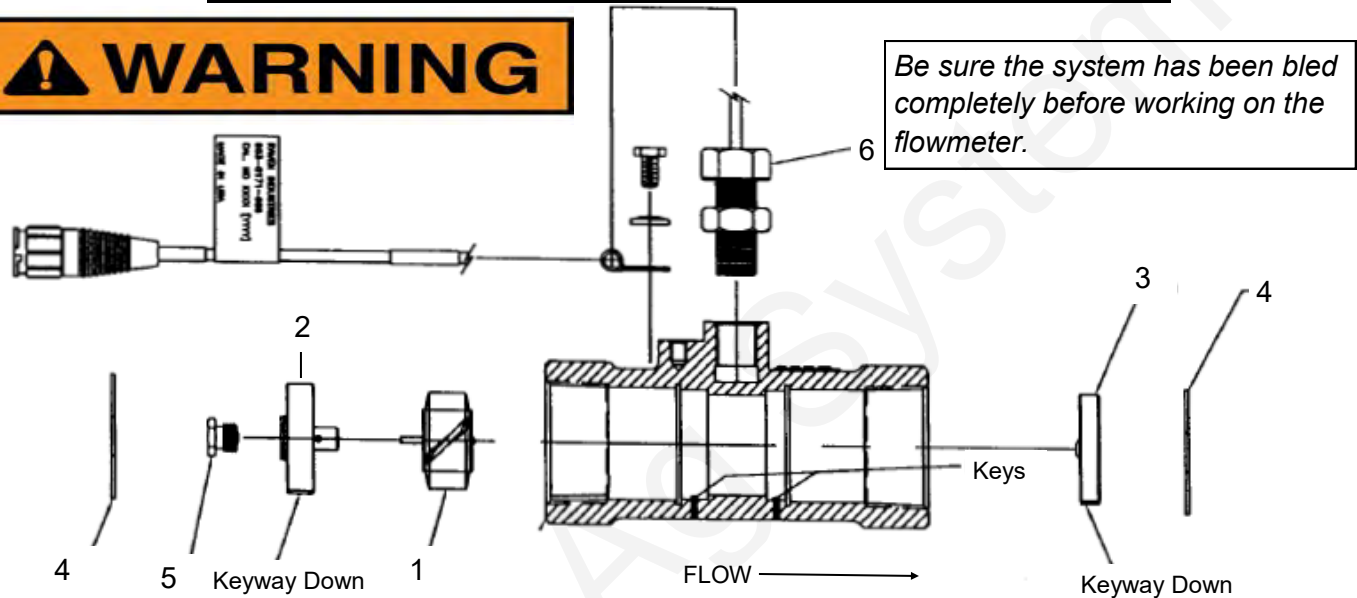
Use the following formula to adjust the flow cal number:

$$(\text{Initial flow cal} \times \text{Volume shown on screen}) / \text{Weigh ticket amount} = \text{new flow cal}$$

See the next page for flowmeter parts, repair and maintenance.

RFM 60S Flowmeter

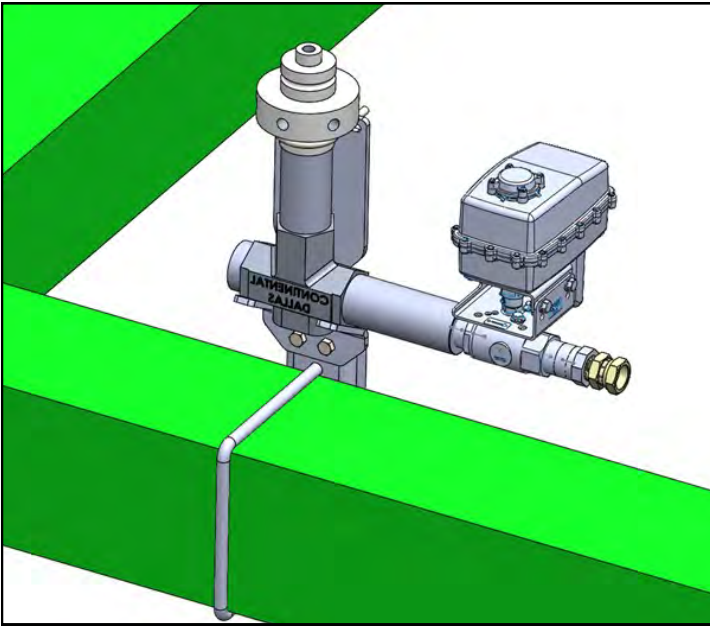
Item	Description	Raven Part #
1	Rotor / Magnet Assembly	063-0171-673
2	Hub / Bearing Assy, Upstream	063-0171-674
3	Hub Assembly, Downstream	063-0171-769
4	Ring, Retaining, Internal	335-0000-278
5	Stud Bearing	063-0173-062
6	Sensor Assembly	063-0171-669



RFM 60S Flowmeter Maintenance and Adjustment Procedure

1. Be sure all NH₃ has been bled from the system before starting maintenance.
2. Remove flowmeter, brush away any debris and flush with clean water.
3. Remove the retaining rings carefully. Remove the bearing hub, turbine hub, and turbine from inside flowmeter housing.
4. Clean the turbine and hubs of metal filings and any other foreign material. Use pressurized air to blow metal filings out of both hubs and turbine. Confirm that the turbine blades are not worn. Hold turbine and bearing hub in your hand and spin turbine. It should spin freely with very little drag.
5. If bearing hub stud is adjusted or replaced, verify the turbine fit before reassembling. Put turbine hub and retaining ring in place. Put bearing hub with turbine against turbine hub inside the flowmeter housing. (Stud keys inside flowmeter housing must be lined up in the groove on the hub.) Put the retaining ring into the groove to lock bearing hub in place. Spin turbine by blowing on it. Tighten bearing hub until turbine stalls. Loosen the stud 1/3 of a turn. The turbine should spin freely.
6. Use a low pressure (5 PSI) jet of air through flowmeter in the direction of flow and again in the opposite direction to verify the turbine spins freely. If there is drag, loosen the stud on the bearing hub 1/16 turn until the turbine spins freely.
7. If turbine spins freely and the cables have checked out, but the flowmeter is not totalizing properly, verify that the sensor assembly is threaded all the way into the flowmeter body, and the orientation groove on top of the sensor is parallel with flowmeter body. If flowmeter still does not totalize, replace Sensor Assembly.

Electric Section Valves



202-KZ67FY

1" SS KZ NH3 shut-off valve with 3-pin WP shroud

The valves have a 3-pin weather pack electrical connector. This has a power, ground, and switched wire. The power measured to ground should have 12 volts when the controller is on. The switched wire will have 12 volts to turn the valve on, and 0 volts to turn the valve off.

Wiring Connector:

Pin A—Red, 12 Volts +

Pin B—Black, Ground -

Pin C—White, Signal

12V=on ; 0V=off

Pressure gauges and sensors

137-ASG60 2 1/2" Silicone Filled Stainless Gauge-60 PSI

For manifolds (optional)

137-LFG160 2 1/2" Silicone Filled Stainless Gauge-160 PSI

137-ASG400 2 1/2" Silicone Filled Stainless Gauge-400 PSI

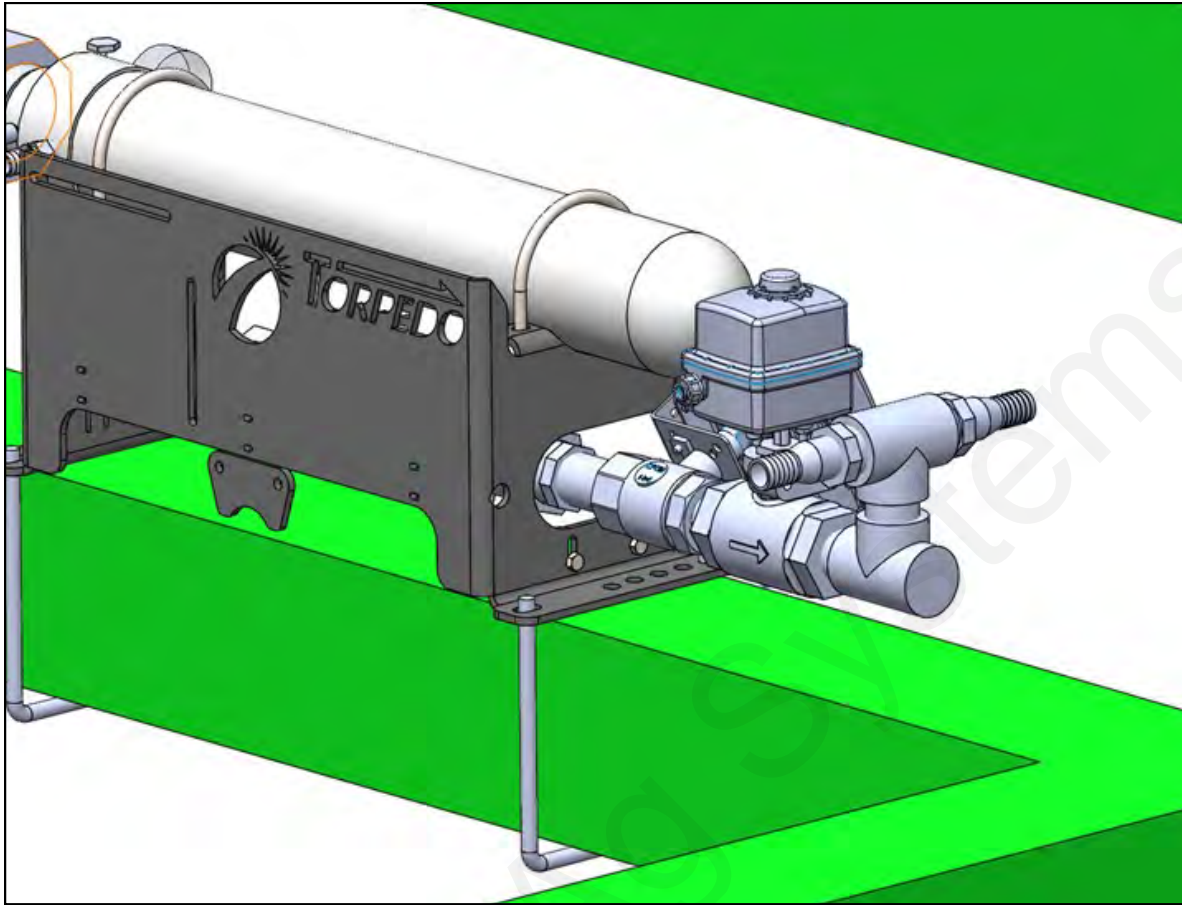
For Torpedo SuperCooler (optional)

Or

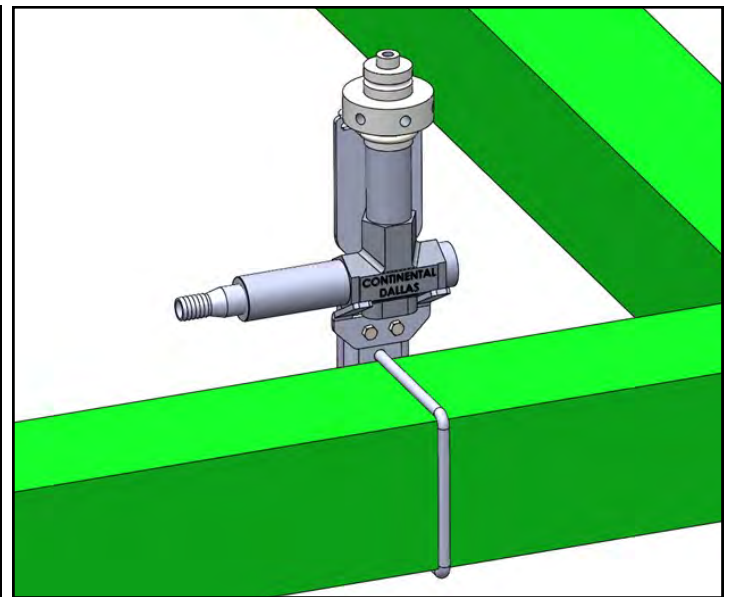
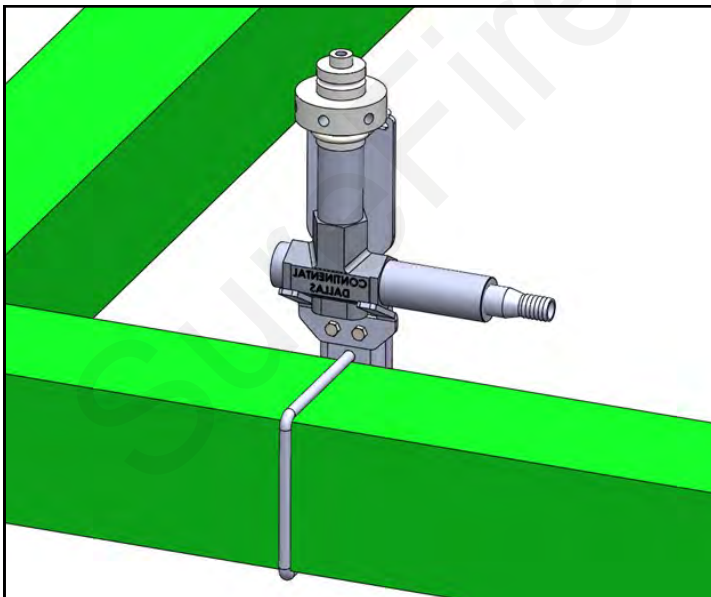
521-05-050400 NH3 400 PSI 3-wire pressure sensor (0-5 V DC
12.5 mv/PSI) with 3-pin 150 MP Tower

For Torpedo SuperCooler (optional)

159-10-200200 SuperCooler Splitter Kit for 2 manifolds (NO ELECTRIC SECTIONS)



To split the flow to 2 manifolds a Tee is used. If going to 2 manifolds with no electric section valves 1" reinforced EVA hose is used (equal length to each manifold).

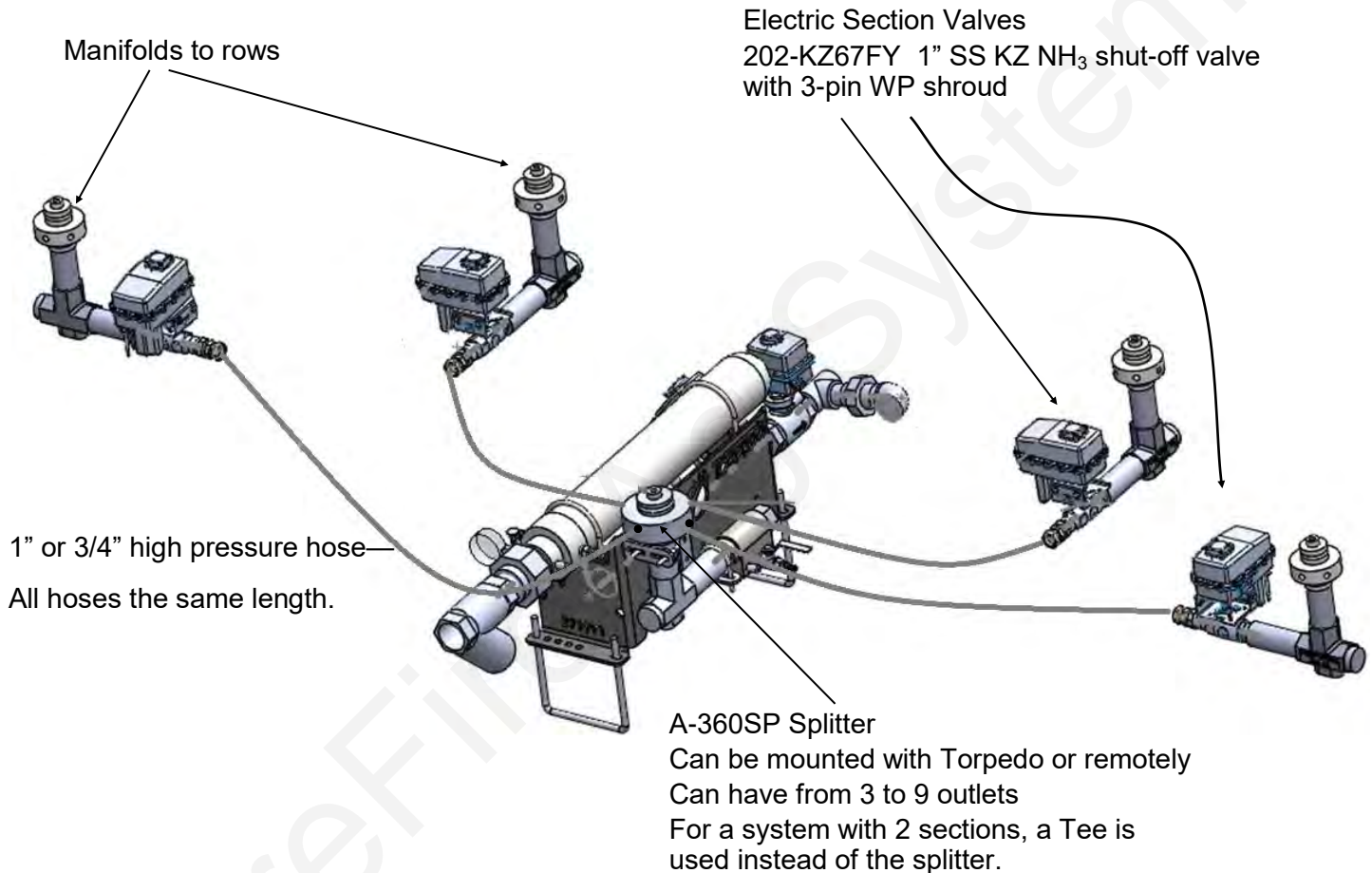


Safety Reminder

Flush with water for at least 15 minutes if exposed to anhydrous ammonia.

Electric Valve Kits for doing multiple sections

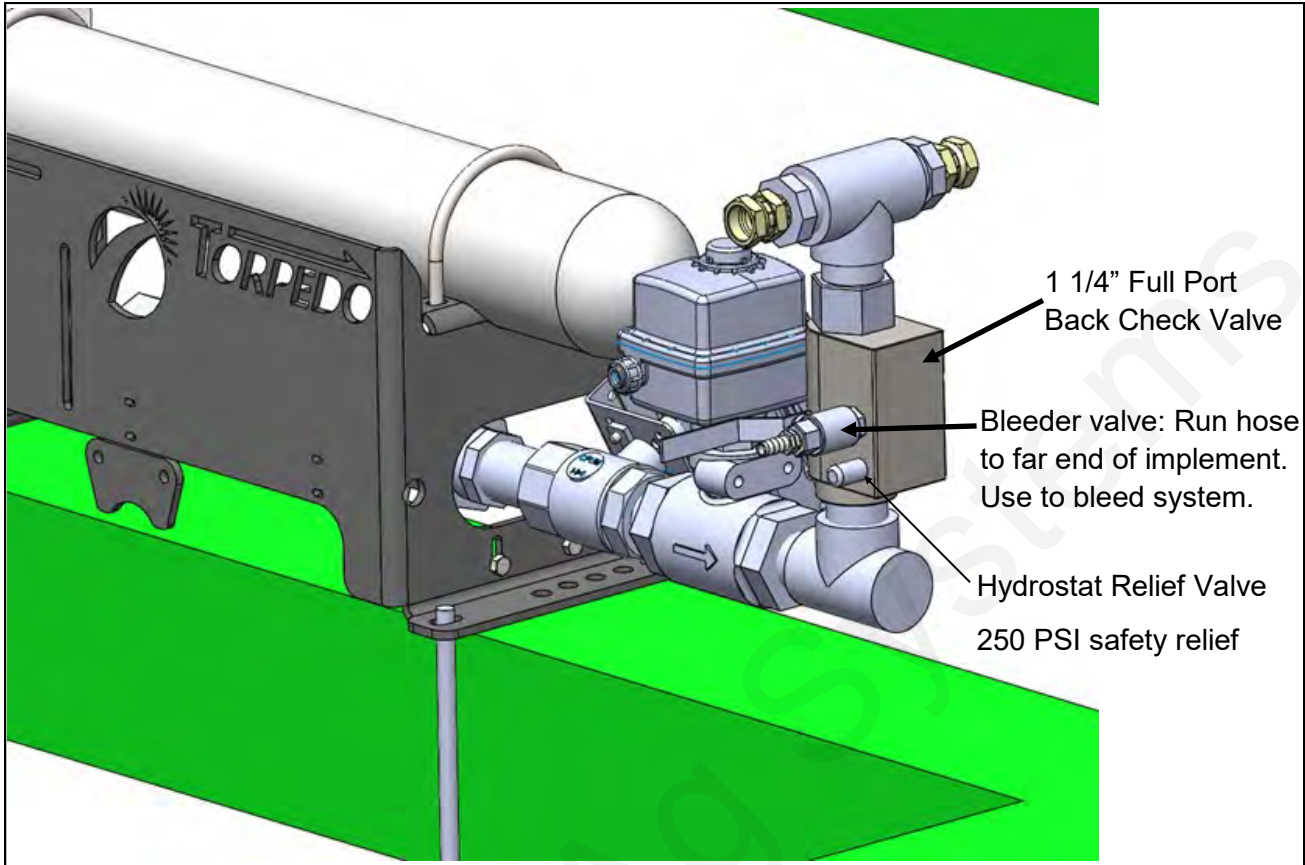
When using electric section valves, you must use high pressure hose from the Splitter to the section manifolds. These hoses must be the same length. Recommended hose is 1" high pressure hose for 3 sections or less and 3/4" high pressure hose for 4 or more sections.



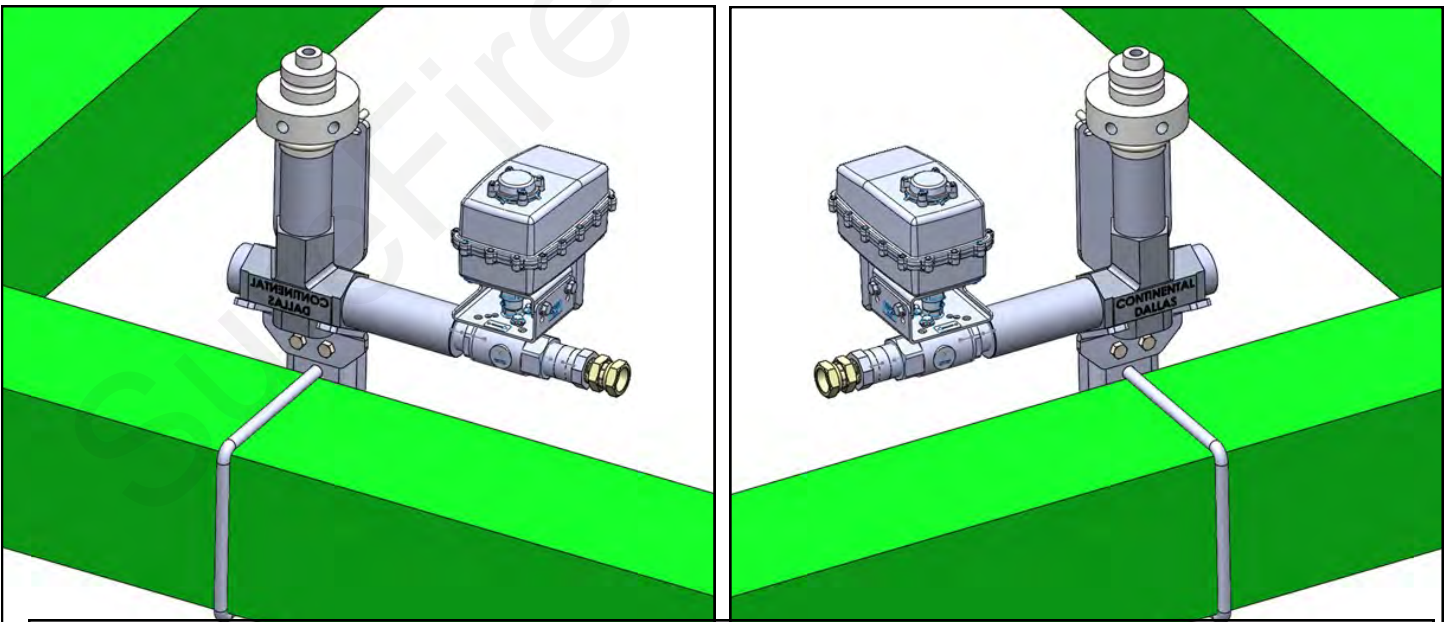
Safety Reminder

Make sure the nurse tank has 5 gallons of fresh clean water.

159-10-100200 SuperCooler Splitter Kit for 2 ELECTRIC SECTIONS



To split the flow to 2 manifolds a Tee is used. If going to 2 manifolds with electric section valves 1" high pressure hose is used (equal length to each manifold).



Safety Reminder

Always know the wind direction and park in an appropriate direction when servicing the system or changing tanks. The wind is your friend.

Gauge Tree Assembly (Optional)

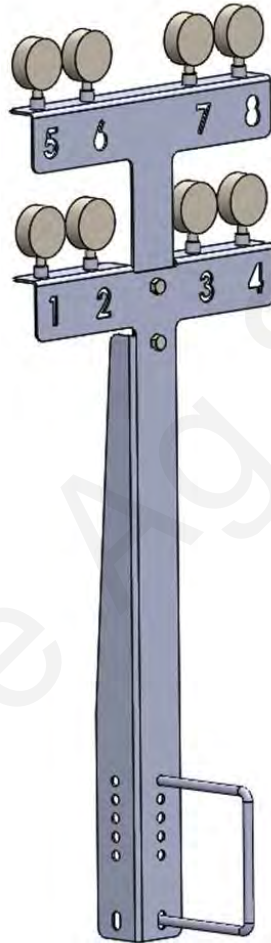
159-11-500500 Black Gauge Tree Kit for 1-4 gauges with 7x7 u-bolt

159-11-500600 Black Add-on Gauge Tree Kit for 5-8 gauges w/ mounting hardware
(Gauges not included)

Use 137-LFG60 2 1/2" Silicone-Filled Stainless Gauge-60 PSI-one per manifold

Or

137-LFG160 2 1/2" Silicone-Filled Stainless Gauge-160 PSI-one per manifold



Safety Reminder

Anyone working around anhydrous ammonia should keep a small squeeze bottle of fresh water with him at all times.



396-3790Y1

QuickStart setup instructions for Raven RCM and SureFire harness for NH3 Profile with Liquid

Harness 213-00-3816Y1 and possibly others

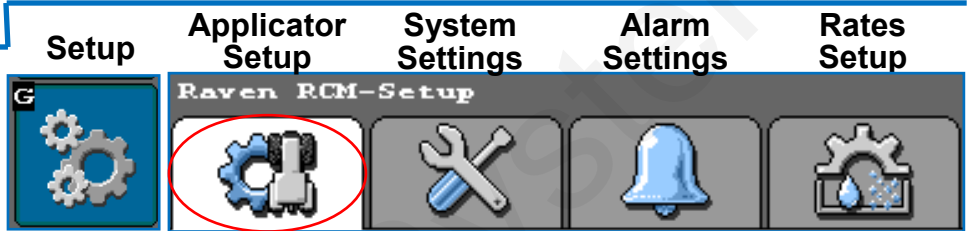


Below are typical SureFire System setup screens for NH3 plus Liquid. *Your setup may vary.*

Read the [Raven RCM Operation Manual](#) for safety information and additional setup/operating information.

NH3 is a very dangerous product. It can kill you or blind you or worse. If you have not taken an approved NH3 Safety Class, do not work around it. If you have had the course, follow ALL safety precautions ALL the time.

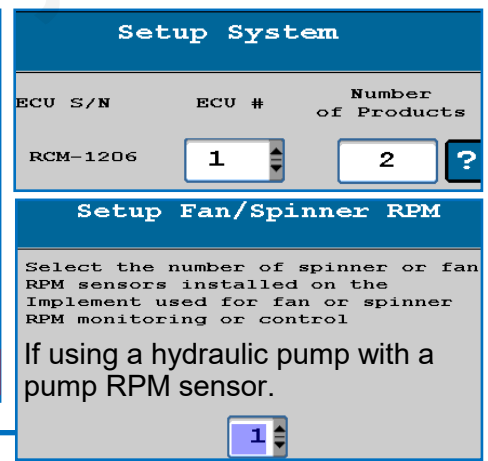
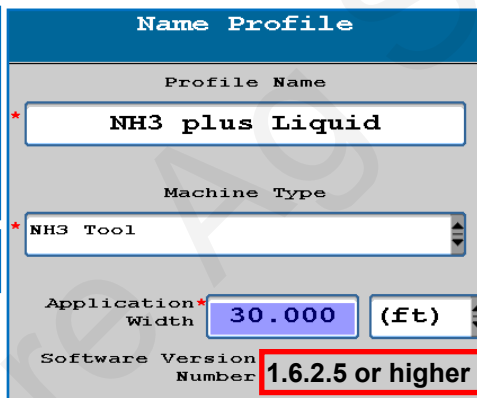
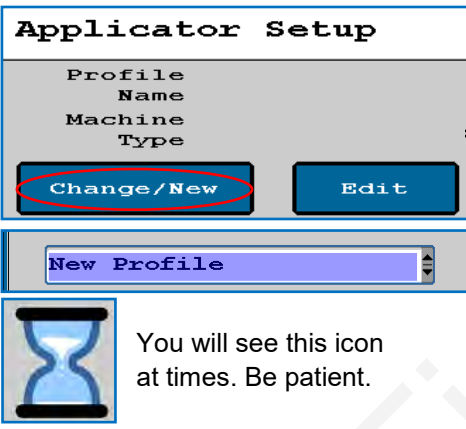
1. Navigate to the Setup Wizard



2. Start a New Profile.

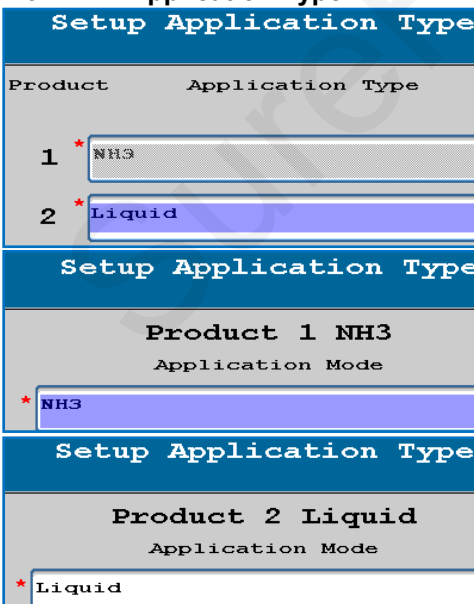
3. Enter a Profile Name. Machine Type > NH3 Tool

4. Number of Products = 2



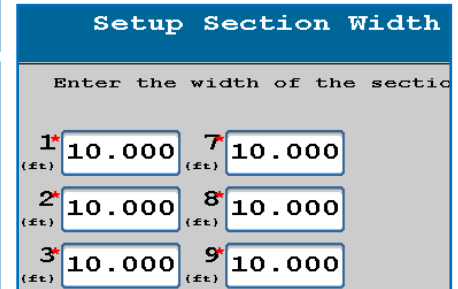
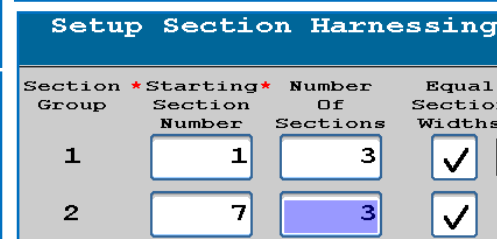
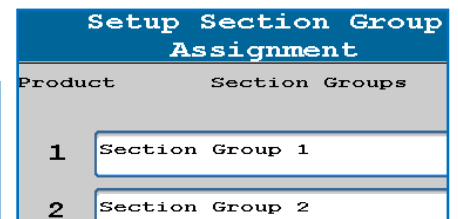
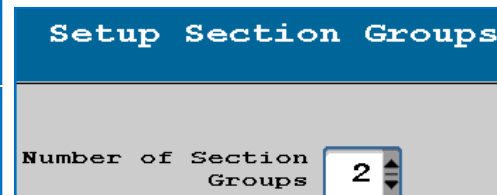
You will see this icon at times. Be patient.

5. Select Application Type.



6. Set up Section Groups (example shows 3 sections for NH3 and liquid).

Sections 1-6 are reserved for NH3. Liquid will start with Section Driver 7.



QuickStart setup instructions for Raven RCM and SureFire NH3

Use with SureFire adapter harness: 213-00-3816Y1 NH3 Profile plus Liquid

7. Set up **Pressure Sensors**. Sensors 1 & 2 are reserved for NH3. Sensor 3 will be for Liquid. The example shows 1 sensor for NH3 and 1 for Liquid.

Setup Pressure Sensors

Pressure Sensor 1	Custom
Pressure Sensor 2	None
Pressure Sensor 3	Custom

Choose **“Custom”** for SureFire pressure sensors.

Normally, do not set any Pressure Alarms. Pressure Alarms become control limits on a liquid system.

Setup Pressure Assignment

Pressure Sensor 3

Product 1

Product 2

Setup Pressure Alarms

	Min	Max	Alarm
Pressure 1 (PSI)	0	0	<input type="checkbox"/>
Pressure 2 (PSI)	0	0	<input type="checkbox"/>
Pressure 3 (PSI)	0	0	<input type="checkbox"/>
Pressure 4 (PSI)	0	0	<input type="checkbox"/>

8. Set up **Fan/Spinner RPM**.

Use this if running a liquid hydraulic pump with an RPM sensor.

Setup Fan/Spinner RPM Calibration

RPM 1 Calibration (Pulse/Revolution)	15	Alarm
RPM 1 Low Limit (RPM)	0	<input type="checkbox"/>
RPM 1 High Limit (RPM)	500	<input type="checkbox"/>

Set RPM if using a hydraulic pump with a pump RPM sensor for the liquid product.

In this setup that would be Product 2.

Setup RPM Sensor Assignment

RPM Sensor 1

Product 1

Product 2

9. Set up **Control Valve, Rate Sensor, Tank, and Rates for Product 1—NH3**

Setup Control Valve

Product 1 NH3

Control Valve Type: AccuFlow Dual Valve

Valve Response Rate (1-100): 50

Control Deadband (%): 3

Valve Delay (Seconds): 0.0

Valve Advance (Seconds): 0.0

Control Effort (%): 35

Setup Tank/Bin

Product 1 NH3

OPTIONAL: Use as desired.

Tank Capacity (lb N): 0

Current Tank Level (%): 0

Setup Alarms

Product 1 NH3

Off Rate Alarm (% off target rate): 20

Section Valve Status Feedback Alarm:

Set **Off Rate Alarm** as desired.

Setup Rate Sensor

Product 1 NH3

Flowmeter Calibration: 340

Use 340 when using flowmeter that is 144 pls/gal. Verify in field.

Flowmeter calibration units are (Pulses/10lbs of Actual N) for NH3 applications.

Setup Rates

Product 1 NH3

	Rate 1	Rate 2	Rate 3
Preset Rate Values (Lbs N/Ac)	125	0	0
Rate Bump (Lbs N/Ac)	0		
Rate Selection	Predefined or Rx		
Display Smoothing	<input checked="" type="checkbox"/>		

Must enter at least 1 rate.

Check **Display Smoothing**.



QuickStart setup instructions for Raven RCM and SureFire NH3

Use with SureFire adapter harness: 213-00-3816Y1 NH3 Profile plus Liquid

10. **Control Valve Setup**—Start with these numbers. Adjust as needed in the field.

Valve Response Rate: For software 1.4 or higher (Adjust as needed in field)

- PumpRight (hydraulic) **1**
- Tower (electric) **20**
- Catalyst and Spartan **5**

Control Deadband: Start at 2

If pump is slow responding to rate or speed changes, increase **Valve Response Rate**. If product oscillates around rate going across the field, reduce **Valve Response Rate**.

Electric Pumps will NOT use **Advanced Tuning** with software 1.4 or higher.

Low Limit (Adjust in field as needed)

- PumpRight (hydraulic) 25
- Tower (electric) 8
- Catalyst and Spartan 5

PWM Startup (Adjust in field as needed)

- PumpRight (hydraulic) 40
- Tower (electric) 20
- Catalyst and Spartan 5-10

Setup PWM

Product 2 Liquid

Coil Frequency (Hz)

PWM High Limit (%)

PWM Low Limit (%)

PWM Startup (%)

Fine-tune PWM Low Limit at Diagnostics > Tests > Calibrate PWM Limits

Setup Control Valve

Product 2 Liquid

Control Valve Type

Valve Response Rate (1-100)

Control Deadband (%)

11. Enter appropriate Flowmeter Cal

Setup Rate Sensor

Product 2 Liquid

Flowmeter Calibration

Flowmeter Pulse/Units

Flowmeter Size (GPM)	Pulses/Gal	Spartan model #	Puls/fl oz
0.08-1.6	22710	#	1700
0.13-2.6	3000		890
0.3-5.0	3000	115	450
0.6-13	2000	125	220
1.3-26	2000	135	
2.6-53	2000	145	

SureFire Electromagnetic Flowmeters. Verify pls/gal on Serial Number label.

13. Set Rates as desired.

You must enter at least one rate.

Check **Display Smoothing**

Set the **Decimal Shift** box at 1.

Set **Decimal Shift** at 2 for rates such as 0.25 gal/ac.

12(a). Tank and Fill Flowmeter set-

Setup Tank/Bin

Product 2 Liquid

Tank Capacity (gal)

Current Tank Level (gal)

OPTIONAL: Use as desired

Low Tank Level (gal) Alarm?

Tank Fill Monitor

Check **Tank Fill Monitor** box if using a fill flowmeter.

12(b). Fill Flowmeter Cal setup

Setup Tank Fill

Product 1 Liquid

Tank Fill Flowmeter Calibration

Tank Fill Flowmeter Pulse/Units

Then enter **Tank Fill Flowmeter Calibration**

- SFA 3" Fill Flowmeter 130
- SFA 2" Fill Flowmeter 300

(Units are 10 gal on SureFire Tank Fill flowmeters.)

14. Set **Off-Rate Alarm** as desired.

Setup Rates

Product 2 Liquid

Preset Rate Values (gal/ac)

Rate 1 Rate 2 Rate 3

Rate Bump (gal/ac)

Rate Selection

Display Smoothing

Decimal Shift

Setup Alarms

Product 2 Liquid

Off Rate Alarm % off target rate Alarm?

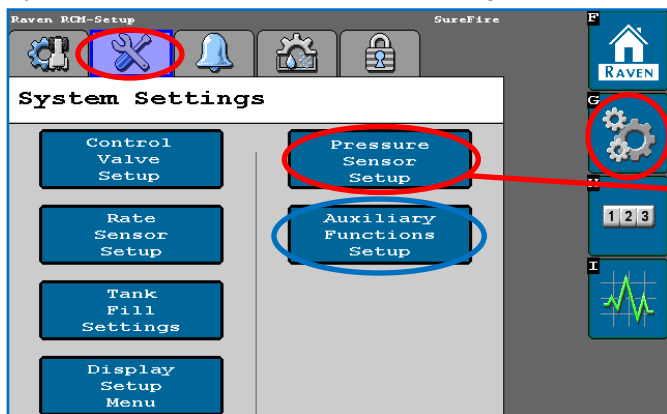
? Click on the Question Mark for helpful information.

Read the [Raven RCM Operation Manual](#) for safety information and additional setup/operating information.

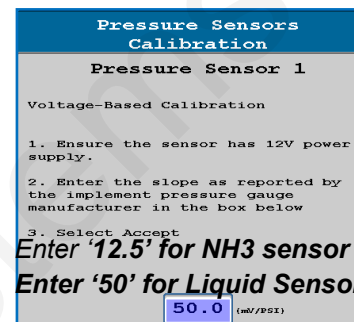
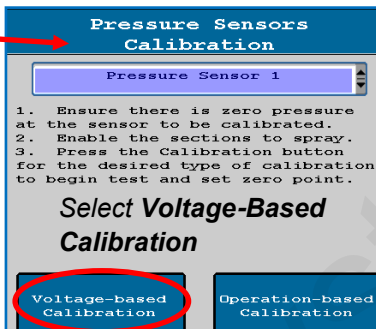


QuickStart setup instructions for Raven RCM and SureFire NH3 Use with SureFire adapter harness: 213-00-3816Y1 NH3 Profile plus Liquid

15. Pressure Sensors must be calibrated. See the boxes below for the procedure. *If you have 2 sensors, both must be calibrated. Be sure there is no pressure against the sensor when calibrating. Unplug the sensor during the calibration process. More on Pressure Sensor Diagnostics later.*



SureFire recommends putting the Pressure Sensor reading in your **Display Settings** on the Run Screen (see next page). For complete information on how the sensor is operating, go to **Diagnostics > System Information > Pressure Sensors**. 0 Pressure Voltage should be 0.00 V.



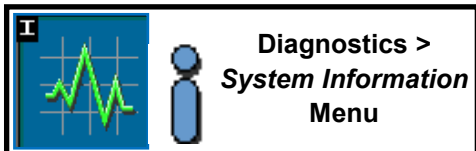
If you are using SureFire pressure sensors: *CUSTOM*

Pressure Sensor 1 (and 2 if using 2 NH3 sensors) is 0-5 v, 0-400 PSI, with 12.5 mv/PSI.

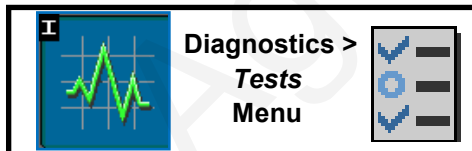
Pressure Sensor 3 is for the Liquid product and is a 0-5 v, 0-100 PSI sensor, with 50 mv/PSI.

Read the [Raven RCM Operation Manual](#) for safety information and additional setup/operating information.

DIAGNOSTICS > SYSTEM INFORMATION and DIAGNOSTICS > TESTS



- Hardware / Software
- Switchbox
- Delivery System
- Section Status
- System Voltages
- Working Parameters
- Switches / Status
- Pressure Sensors
- Bin Level Sensors
- RPM Sensors
- Tank Fill Monitor



- For NH3
- Control Valve Test
 - Energize System
 - Bleed System Test
- For Liquid
- Nozzle Flow Check
 - Rinse Cycle
 - Control / Section Test
 - Calibrate PWM Limits

Go here for important system information and to run system tests.



System Summary



Product Summary



ANHYDROUS AMMONIA IS AN INHALATION HAZARD AND WILL CAUSE SERIOUS INJURY OR DEATH. PLEASE USE EXTREME CAUTION WHEN HANDLING IT OR PERFORMING ANY MAINTENANCE ON EQUIPMENT USED FOR ANHYDROUS AMMONIA.

QuickStart setup instructions for Raven RCM and SureFire NH3

Implement Height Indicator Setup

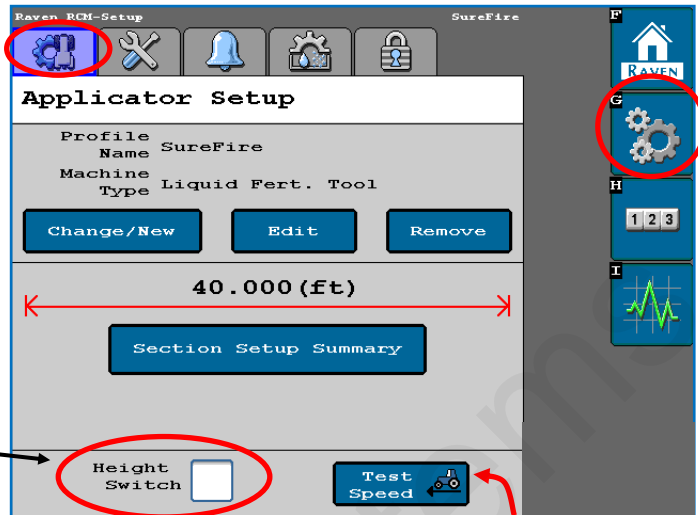


Setup

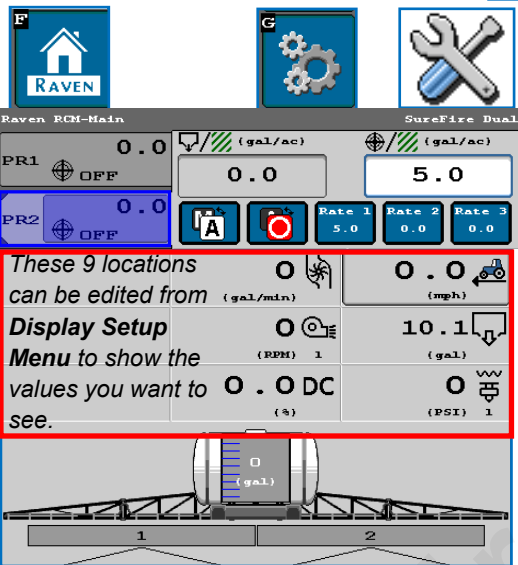


Applicator Setup

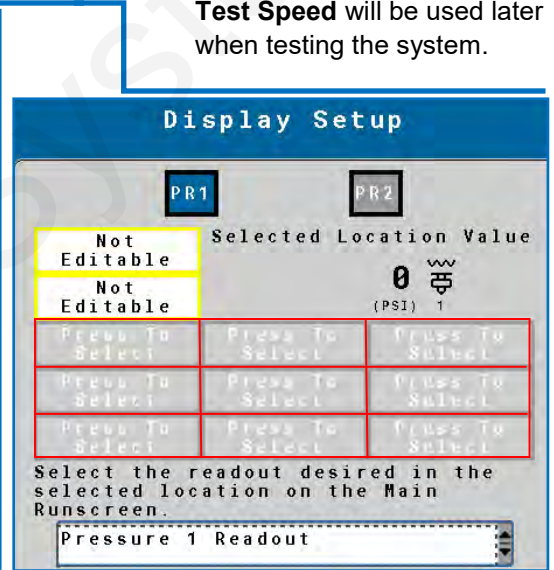
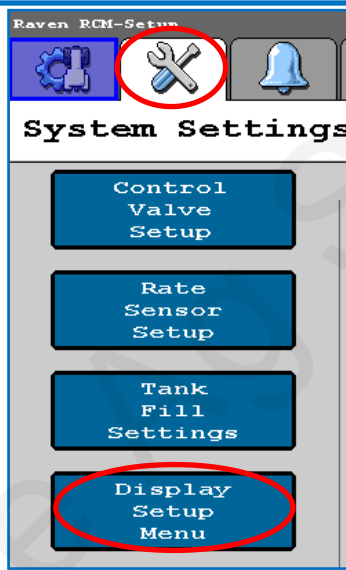
Check the **Height Switch** box if you are using a Mercury Switch or Finger Style Switch for Implement Height Indication.



Run Screen Display Setup

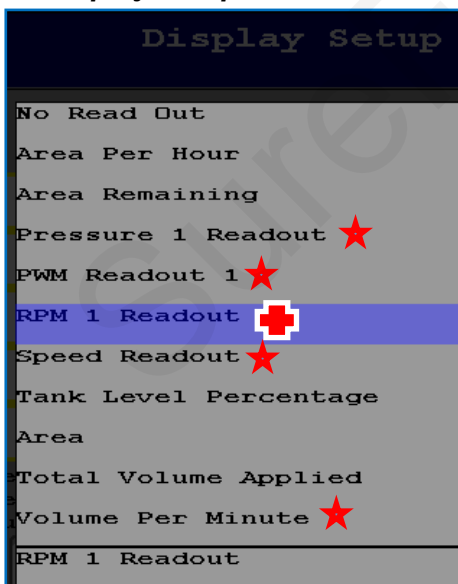


These 9 locations can be edited from **Display Setup Menu** to show the values you want to see.



Test Speed will be used later when testing the system.

Display Setup Menu



Control Valve Setup Menu

- Valve Response Rate
- Control Deadband
- PWM Setup (Coil Frequency, High Limit, Low Limit, PWM Standby)

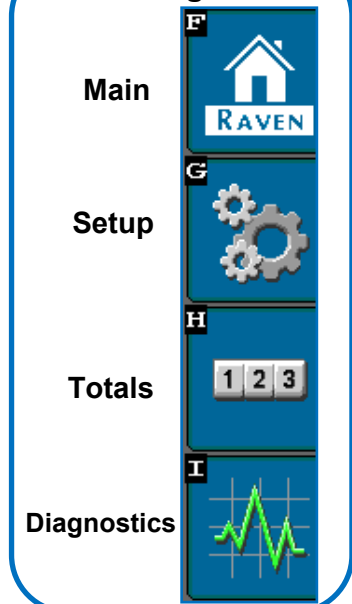
Auxiliary Features Setup Menu

- RPM Calibration Pulse/Rev
- RPM Low Limit
- RPM High Limit
- RPM Sensor Assignment

★ Recommended for all Liquid systems

⊕ Recommended for hydraulic pump systems with Pump RPM sensor

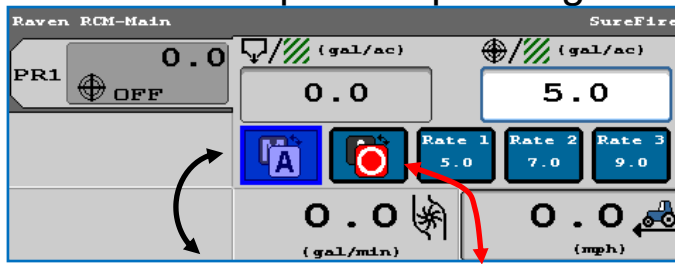
Navigation



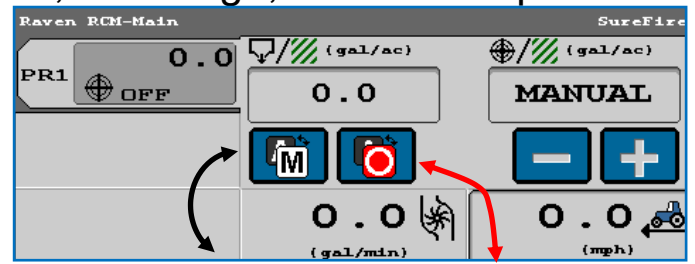
Read the [Raven RCM Operation Manual](#) for safety information and additional setup/operating information.



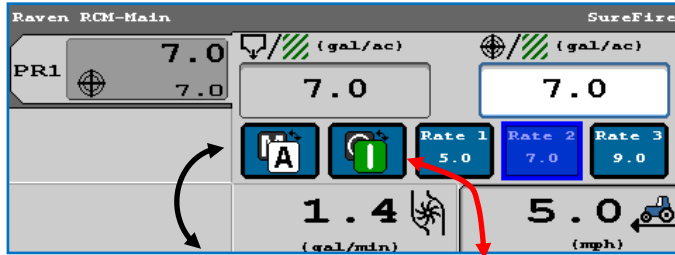
Advanced Setup and Operating Information, Run Page, Initial Startup



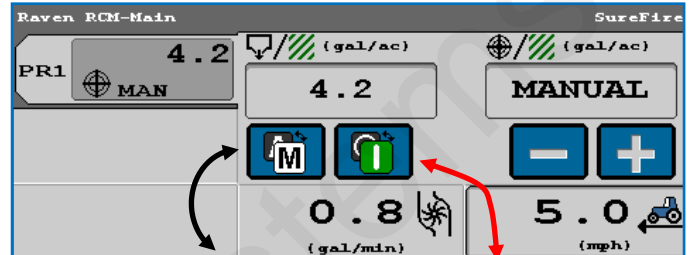
AUTO MODE / DISABLED



MANUAL MODE / DISABLED



AUTO MODE / ENABLED



MANUAL MODE / ENABLED

CRITICAL

Solution Pump Dry

Product 2 Liquid

The solution pump is dry. Turn pump off immediately!

If flow or pressure is not immediately detected, the **Solution Pump Dry** warning will come up and the system will shut down.

Solution Pump Dry is NOT a problem for SureFire electric pumps or for SureFire PumpRight hydraulic diaphragm pumps. It is a problem for centrifugal pumps.

18. LIQUID Product Initial Operation in MANUAL mode: (See Optional Manual Pump Operation below)

1. Fill the system with water. For first time startup, open air bleed valve until a steady stream comes out.
2. Enter a **Test Speed** by pressing on the **Speed (mph)** window or at **Setup > Applicator Setup**.
3. Navigate to **MANUAL MODE** as shown above (toggle between Auto and Manual with the Auto/Manual button).
4. **ENABLE** system (toggle between Enable / Disable with the Enable / Disable button).
5. Height switch must be **DOWN** (or uncheck Height Switch box).
6. Turn on **Master Switch**. Press and hold + to increase flow.
7. Monitor Flow (gal/min), PSI, DC, Pump RPM (if using Hydraulic pump with RPM sensor).
8. Go to **Switch Box**. Turn Sections OFF and ON.
9. Turn Master Switch OFF.



OPTIONAL MANUAL PUMP OPERATION:

Go to **Diagnostics > Tests > Calibrate PWM LIMITS**. Here you can manually run the pump without the system shutting down if it doesn't read flow immediately. Turn on Master Switch, Start the test, hold + button to increase pump speed.

19. LIQUID Product Initial Operation in AUTO mode: (Could also do Nozzle Flow Check).

1. Enter a **Test Speed** by pressing on the **Speed (mph)** window or at **Setup > Applicator Setup**.
2. Toggle system to **AUTO / ENABLED**. Select a Rate.
3. Height switch must be **DOWN** (or uncheck Height Switch box).
4. Turn on **Master Switch**.
5. Monitor Actual Rate (gal/ac), Flow (gal/min), PSI, DC, Pump RPM.
6. Go to **Switch Box** (above). Turn Sections OFF and ON.
7. Turn Master Switch OFF. (NOTE: Pressure will be much less with water than with heavier, thicker fertilizer.)

Read the [Raven RCM Operator's Manual](#) for safety information and additional setup/operating information.



QuickStart setup instructions for Raven RCM and SureFire NH3

Use with SureFire adapter harness: 213-00-3816Y1 NH3 Profile plus Liquid

20. NH3 Initial Operation: **FOLLOW ALL SAFETY PRECAUTIONS BEFORE TURNING ON ANHYDROUS AMMONIA**

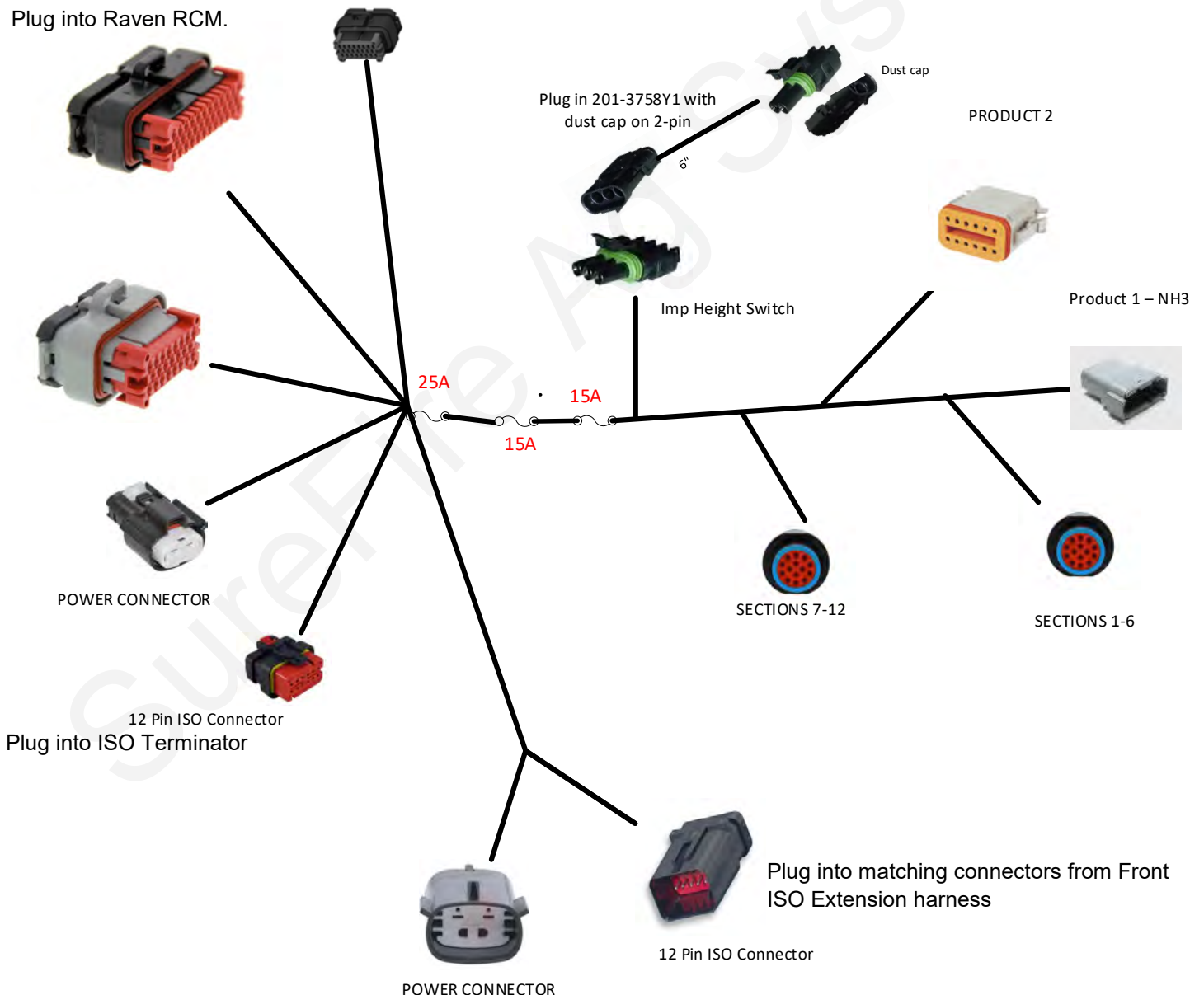
DIAGNOSTICS > TESTS for NH3 Product 1

1. Before opening nurse tank valve, check the operation of the control valve: **Diagnostics > Tests > Product 1 > Control Valve Test**. Be sure the control valve is moving in the correct direction.
2. Before opening nurse tank valve, run **Energize System Test** to check the operation of the valves.
3. When safe to do so, slowly open the nurse tank valve. Running Energize System test will allow anhydrous ammonia to escape. Be sure it is safe and wind is in the right direction before running this test. Read all safety precautions before starting this test.
4. **Bleed System Test** will open the valves to empty the system. Close the nurse tank valve before running this.
5. Monitor amount applied with first tank or two and check the amount shown on the display against the weigh ticket for the tank. Adjust flowmeter calibration as needed.

Middle 23-pin

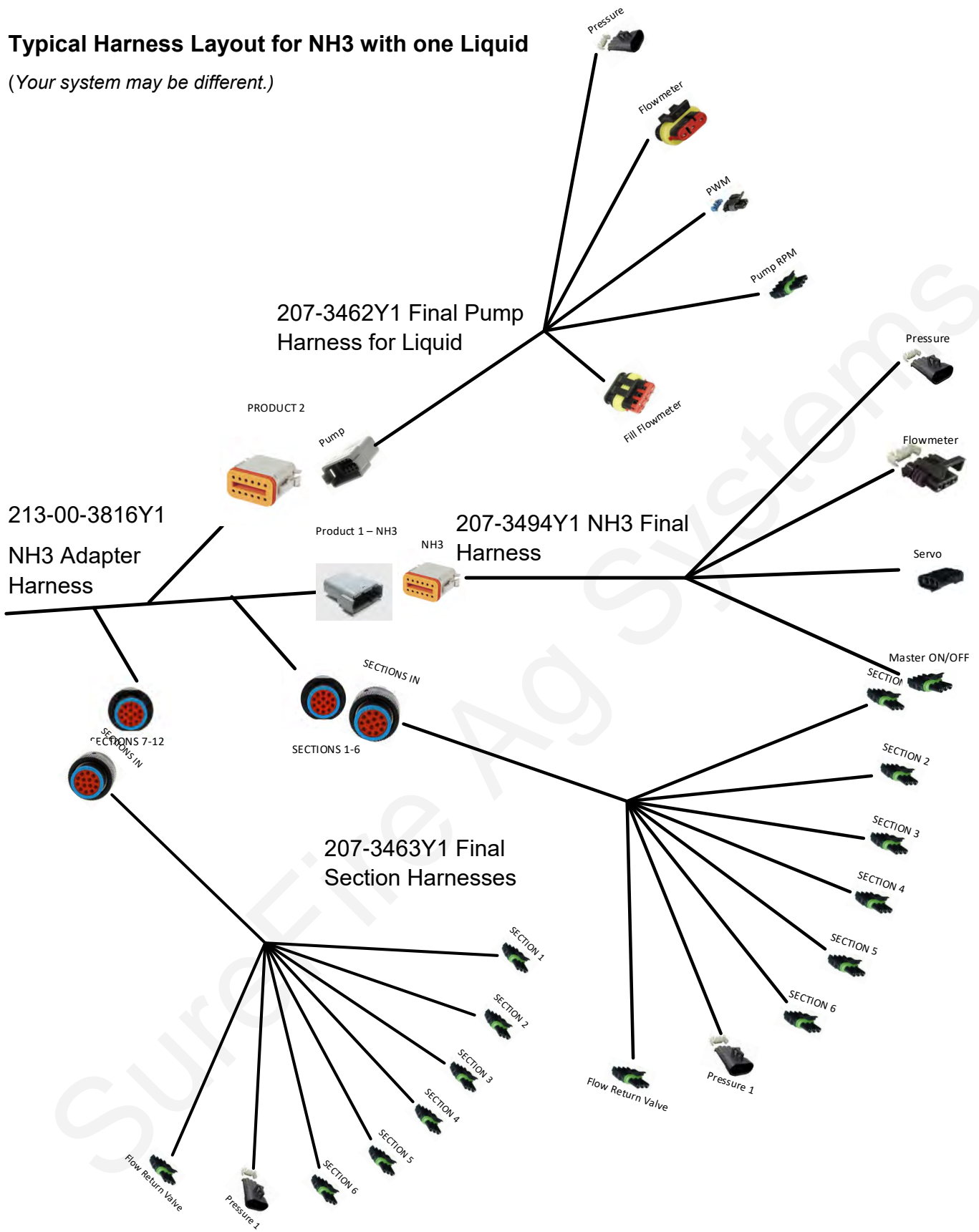
213-00-3816Y1 for NH3 and one Liquid/Dry Product

Plug into Raven RCM.



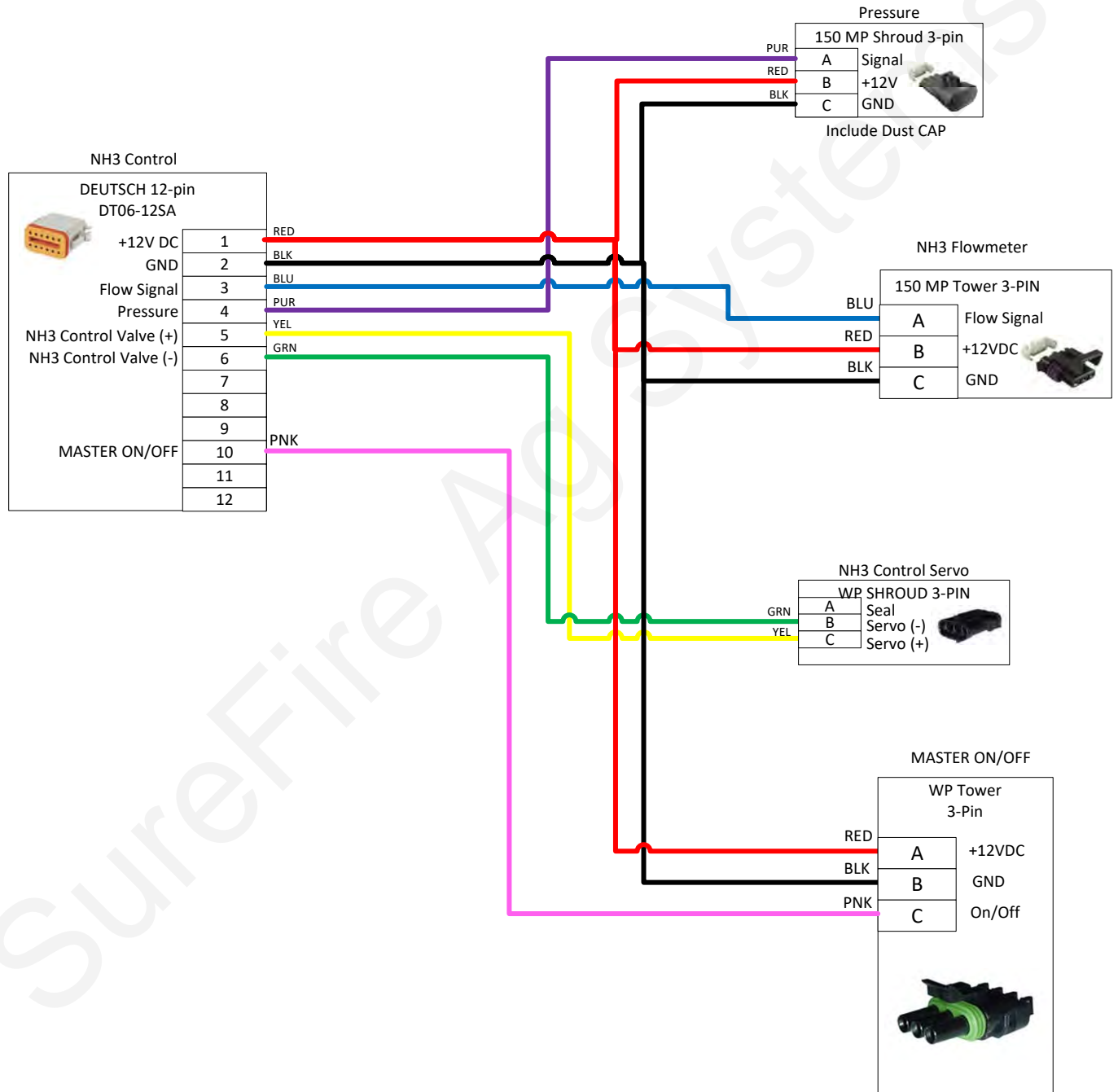
Typical Harness Layout for NH3 with one Liquid

(Your system may be different.)



207-3494Y1 NH3 Final Harness

**Wire 18AWG
unless otherwise
specified**

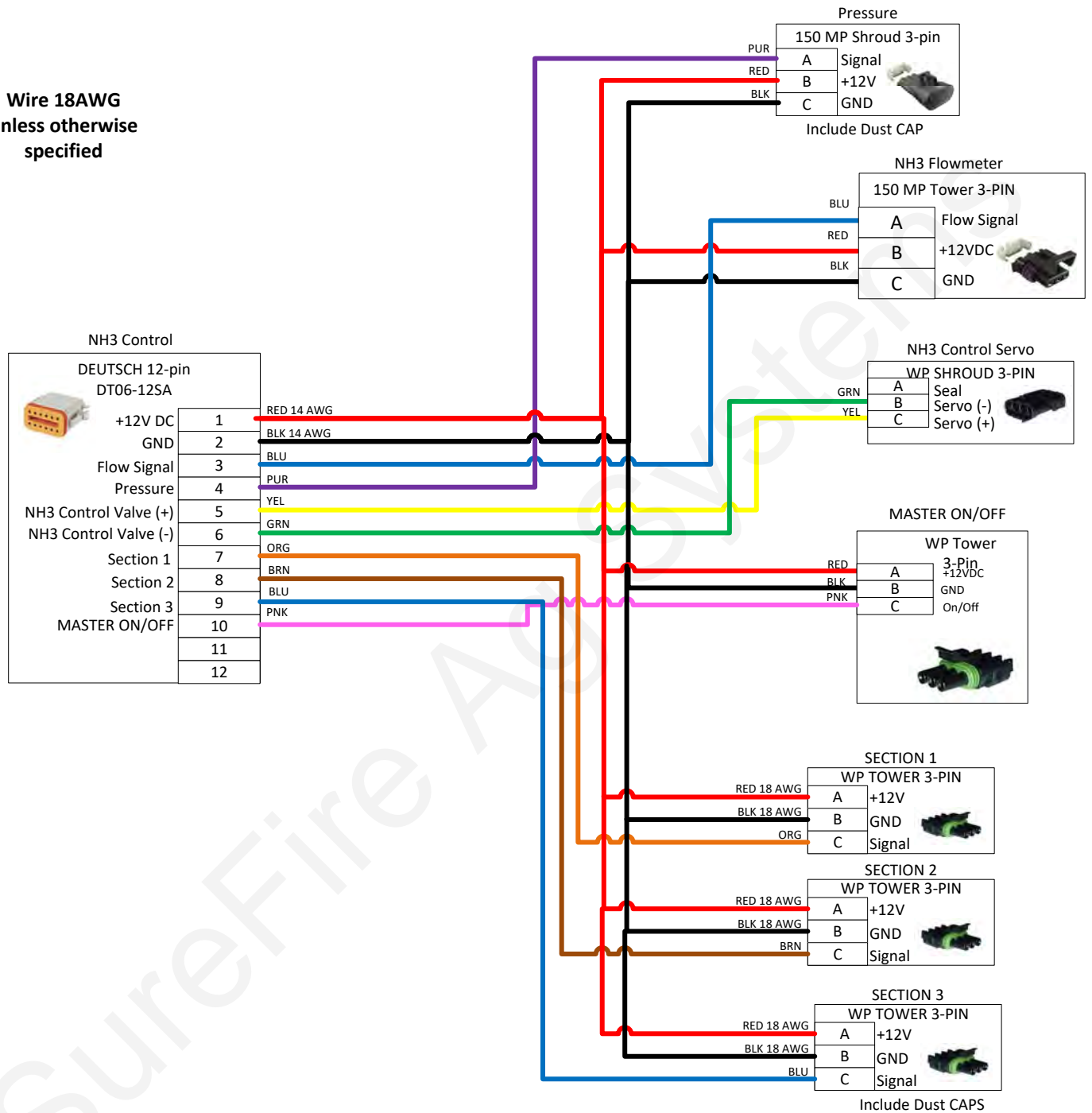


Part No:	207-3494Y1	Drawn By:	Mark Wolters		
Description:	NH3 Final Harness	Last Edit Date:	11/10/2016	Revision	A-01
Copyright 2016 SureFire Ag Systems, Reproduction or other use of drawing without express written permission from SureFire Ag Systems is forbidden		51			

207-3496Y1

NH3 Final Harness with Sections 1-3

Wire 18AWG
unless otherwise
specified

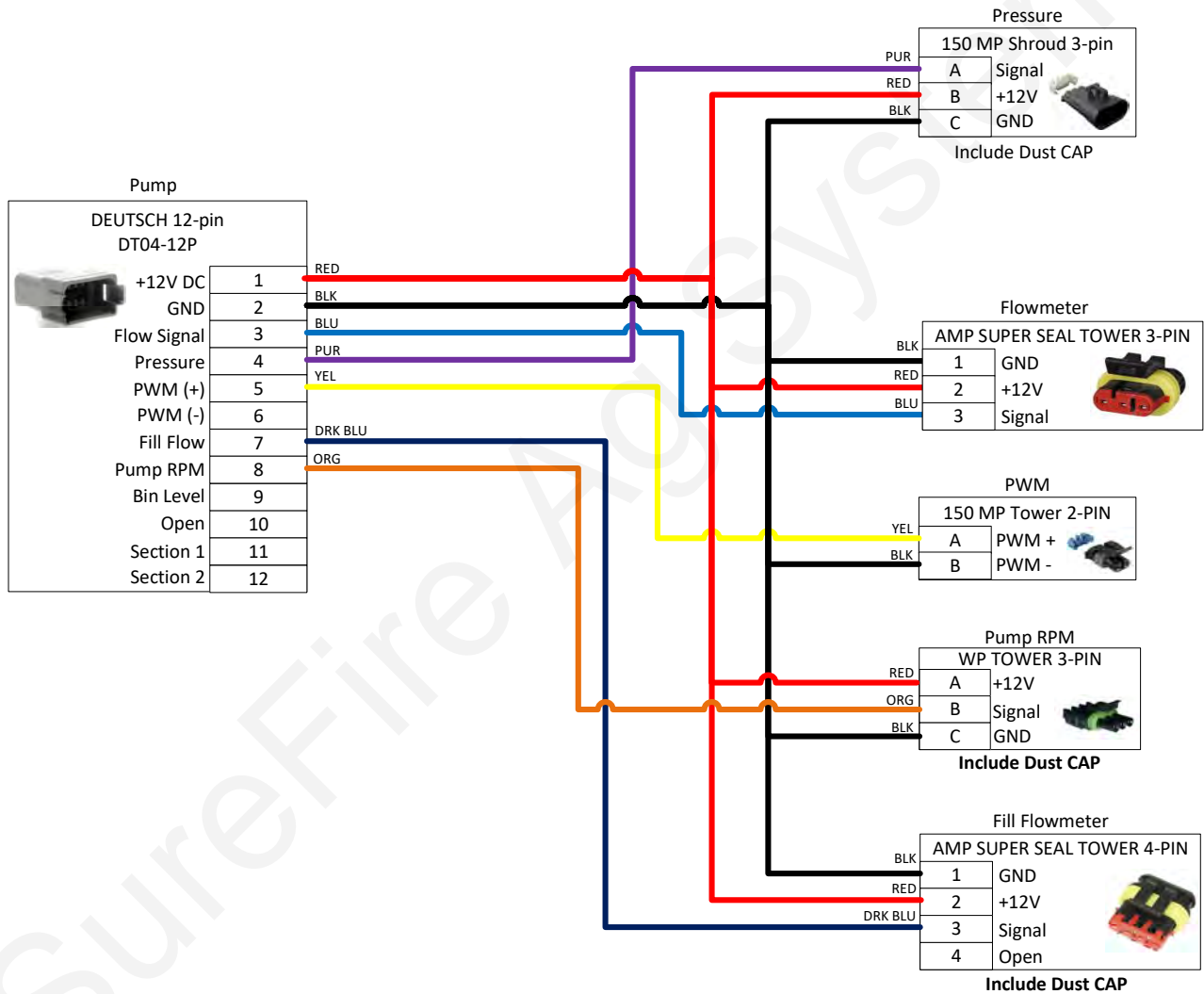



Part No:	207-3496Y1	Drawn By:	Mark Wolters		
Description:	NH3 Final Harness with Sections 1-3	Last Edit Date:	12/9/2016	Revision	A-01
Copyright 2016 SureFire Ag Systems, Reproduction or other use of drawing without express written permission from SureFire Ag Systems is forbidden		52			

207-3462Y2

Final Cable for SureFire Liquid Pump System (pwm, flow, pres., pump rpm, fill flow)

Wire 18AWG
unless otherwise
specified



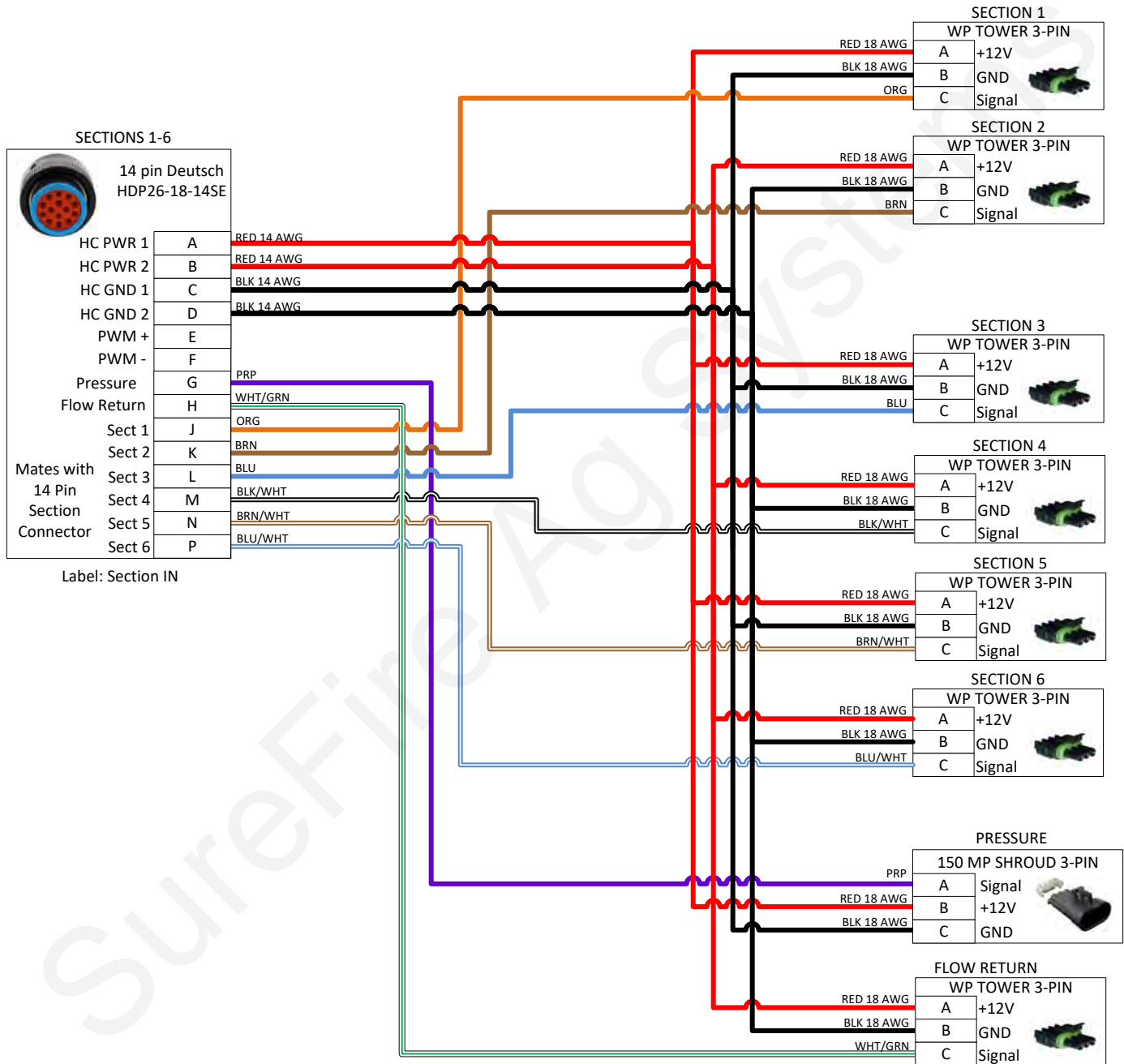
	Part No:	207-3462Y2	Drawn By:	Brandon Cavenee		
	Description:	Final Cable for SureFire Liquid Pump System (pwm, flow, pres., pump rpm, fill flow)	Last Edit Date:	9/4/2018	Revision	A-02
	Copyright 2018 SureFire Ag Systems, Reproduction or other use of drawing without express written permission from SureFire Ag Systems is forbidden			53		


207-3463Y1

14-Pin 6-Section Final Cable (6 sections, flow return, pressure)

**Wire 18AWG
unless otherwise
specified**

Provide dust caps for WP and MP connectors



	Part No:	207-3463Y1	Drawn By:	Brandon Cavenee		
	Description:	14-Pin 6-Section Final Cable (6 sections, flow return, pressure)	Last Edit Date:	11/2/2016	Revision	A-01
	Copyright 2016 SureFire Ag Systems, Reproduction or other use of drawing without express written permission from SureFire Ag Systems is forbidden			54		

Read and save all product literature, installation instructions, and operating instructions that accompany this system.

Make sure all personnel that will be operating or working around this system have been properly trained in safe anhydrous ammonia practices.

On first use with anhydrous ammonia, be certain that all personnel are in a safe place as the nurse tank valve is opened and as each segment of the system is filled with anhydrous ammonia. Verify that all joints and connections are tight and that proper shut-off and control of the system is working.

TORPEDO™



SureFire
Ag Systems

© 2015-2021 SureFire Ag Systems-All Rights Reserved